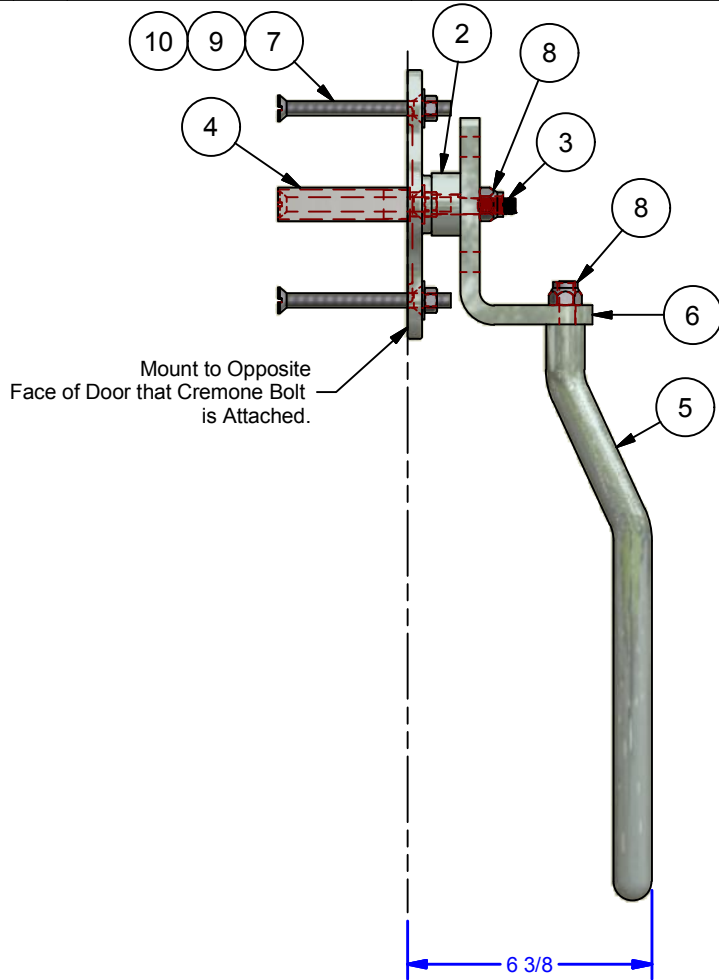
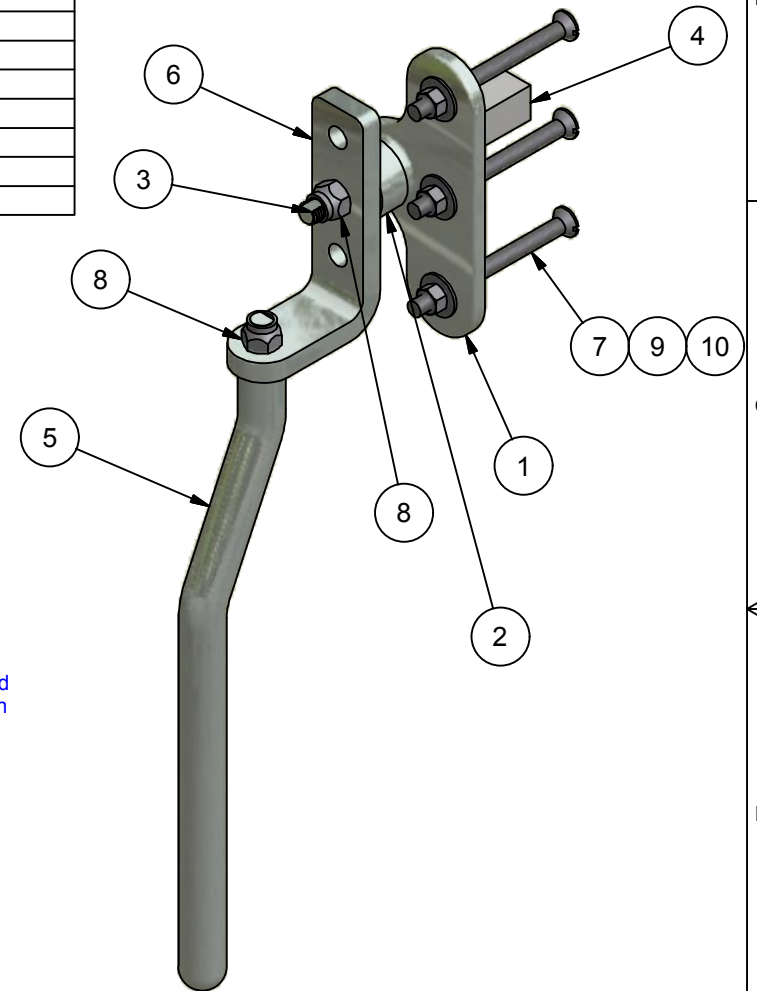
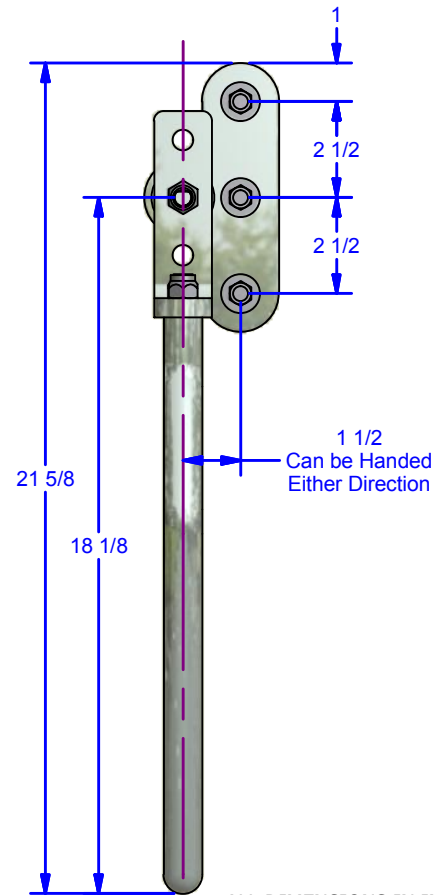


Parts List				
ITEM	QTY	PART #	DESCRIPTION	STOCK #
1	2	0001718	Handle Plate	
2	1	0001733	Handle Bushing	
3	1	0001719	Handle Stud	
4	1	0001710	Handle Stud Sleeve	
5	1	0001213	Handle	
6	1	0001732	Handle Bracket	
7	3	FHSMS 3/8-16 x 4 1/2	Flat Head Slotted Machine Screw, Tap Screw	
8	2	IFI 100/107 - 1/2 - 13 Top Insert Type		
9	3	FW 3/8 - Regular - Type B	Flat Washer	
10	3	N 3/8 - 16	Hex Nut - Grade 5	



Locked Position
(Turn 180 Degrees to unlock)



ALL DIMENSIONS IN INCHES

THE INFORMATION CONTAINED IN THIS DRAWING IS THE SOLE PROPERTY OF CROWN INDUSTRIAL. ANY REPRODUCTION IN PART OR AS A WHOLE WITHOUT THE WRITTEN PERMISSION OF CROWN INDUSTRIAL IS PROHIBITED.

DESCRIPTION:

Auxillary Handle Package

FINISH:
Clear Zinc

ID #:
0001709

MATERIAL:

STOCK PART #:
1028.00330

# PCS:	1
REV:	



CROWN INDUSTRIAL

So. San Francisco, Ca
(650) 952-5150

www.crown-industrial.com

DWG #: 0001706
DRAWN:BCM 9/22/2014
SHEET #29
File: 0001706.idw