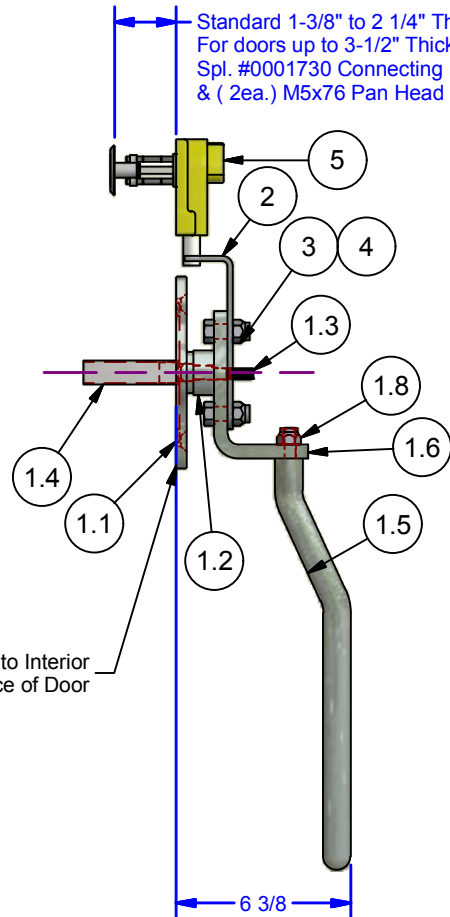
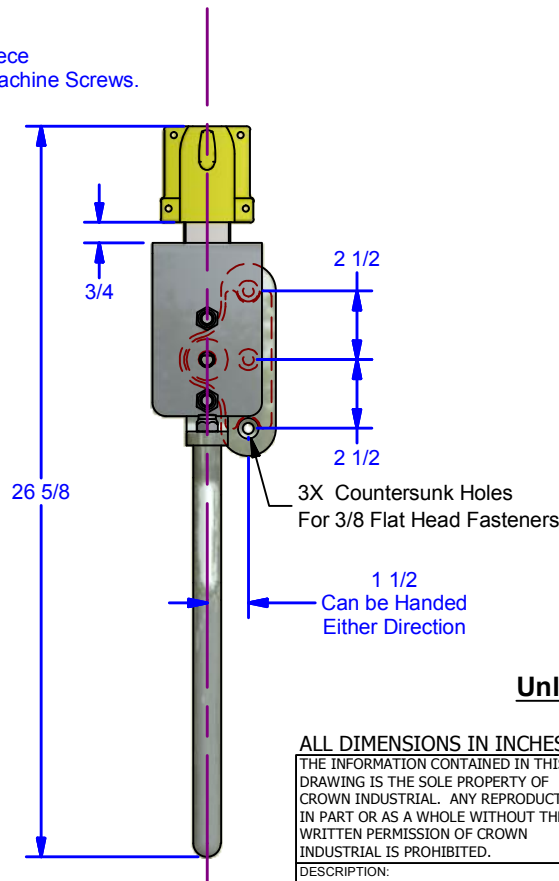


Parts List				
ITEM	QTY	PART #	DESCRIPTION	STOCK #
1	1	0001709	Auxiliary Handle Package	1028.00330
1.1	1	0001718	Handle Plate	
1.2	1	0001733	Handle Bushing	
1.3	1	0001719	Handle Stud	
1.4	1	0001710	Handle Stud Sleeve	
1.5	1	0001213	Handle	
1.6	1	0001732	Handle Bracket	
1.7	3	FHSMS 3/8-16 x 4 1/2	Flat Head Slotted Machine Screw, Tap Screw	Included But Now Shown
1.8	2	IFI 100/107 - 1/2 - 13 Top Insert Type		
1.9	3	FW 3/8 - Regular - Type B	Flat Washer	Included But Now Shown
1.10	3	N 3/8 - 16	Hex Nut - Grade 5	
2	1	0001722	Dead Bolt Bracket	
3	2	IFI 100/107 - 1/2 - 13 Top Insert Type		
4	2	(HHMB) 1/2-13 UNC - 1.25	Hex Head Machine Bolt-Grade 5	
5	1	0001728	Boltlock Assembly w/ Thumb Turn	



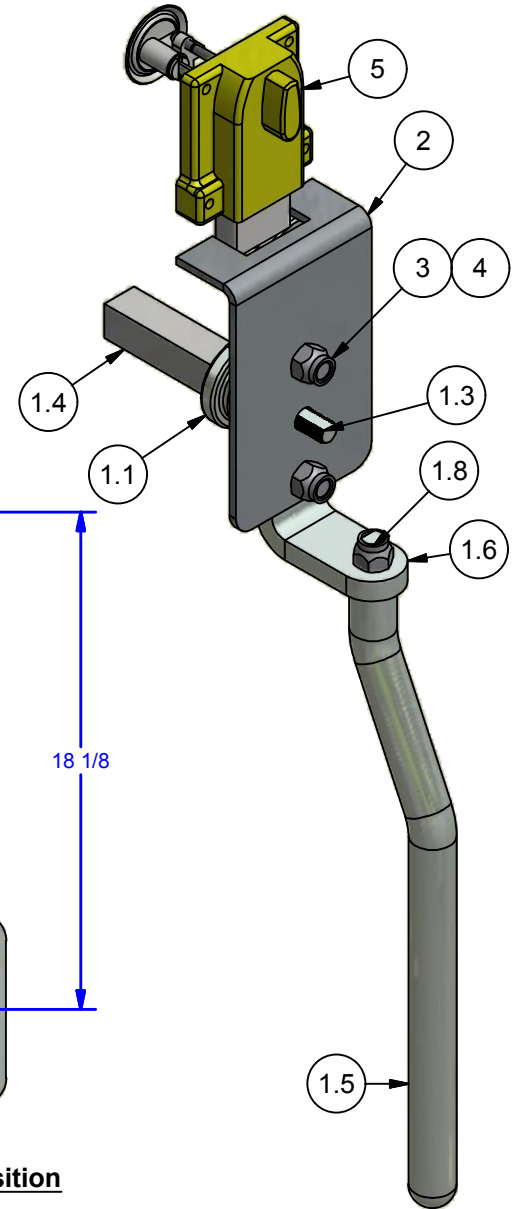
**Locked Position**



**Unlocked Position**

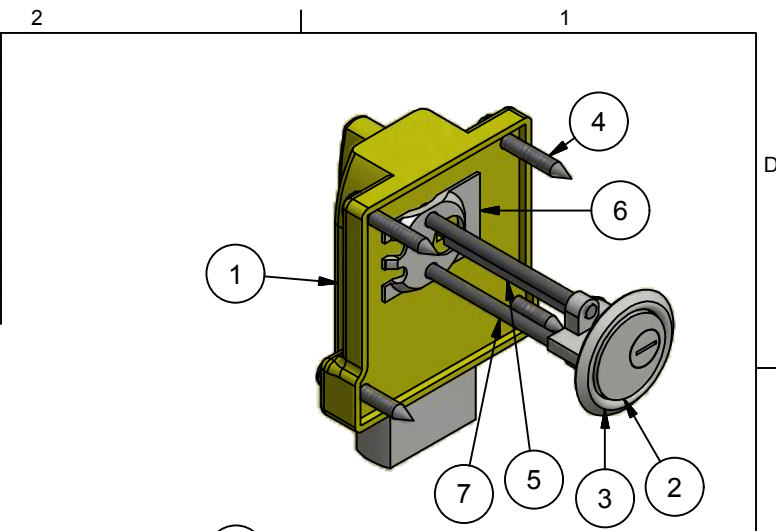
**ALL DIMENSIONS IN INCHES**

THE INFORMATION CONTAINED IN THIS DRAWING IS THE SOLE PROPERTY OF CROWN INDUSTRIAL. ANY REPRODUCTION IN PART OR AS A WHOLE WITHOUT THE WRITTEN PERMISSION OF CROWN INDUSTRIAL IS PROHIBITED.	ID #: 0001731	STOCK PART #: 1028.00340
DESCRIPTION: Cremone Bolt Key Lock / Knob Package w/ Aux Handle	MATERIAL:	
FINISH: Clear Zinc	# PCS: 1	REV: 1

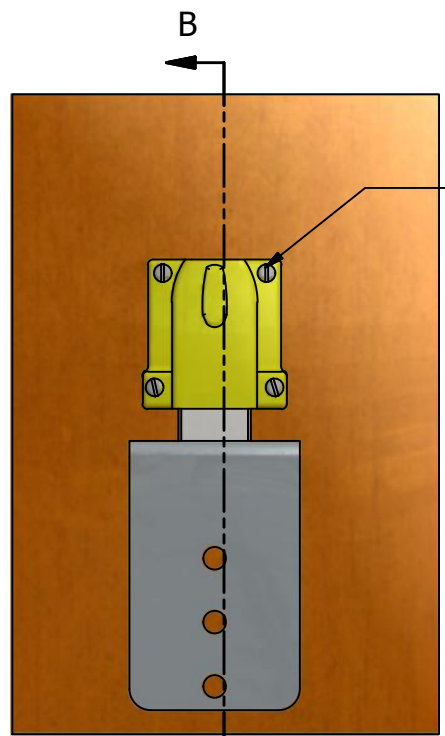


**CROWN INDUSTRIAL**  
So. San Francisco, Ca  
(650) 952-5150  
www.crown-industrial.com

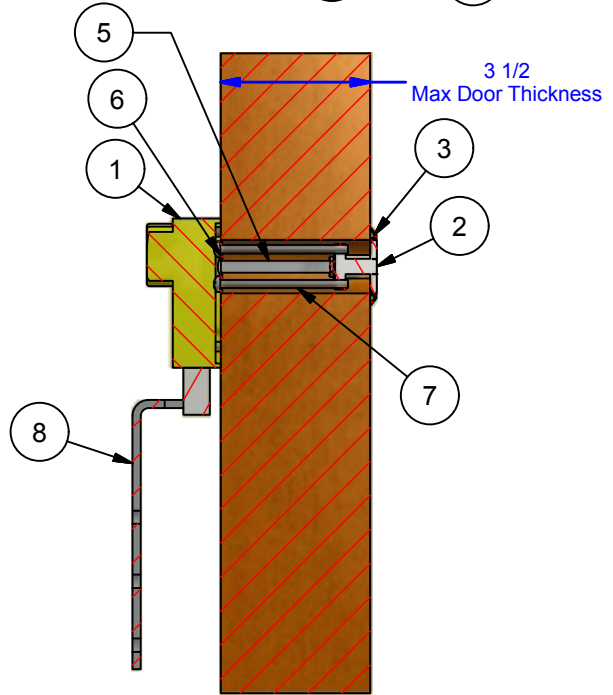
Parts List				
ITEM	QTY	PART #	DESCRIPTION	STOCK #
1	1	0001723	Deadbolt Lock	
2	1	0001725	Keyed Cylinder	
3	1	0001726	Cylinder Ring / Trim Ring	
4	4	PHSSMS No. 12-14 x 1 1/2-Zinc	Pan Head Slotted Sheet Metal Screw Zinc	
5	1	0001730	Connecting Bar (Reference Only)	
6	1	0001724	Backplate	
7	2	PHPMS M5x0.8 x 76	Pan Head Phillips Metal Screw	
8	1	0001722	Dead Bolt Bracket	



**Exterior Door Face**



**Interior Door Face**



**SECTION B-B**

DWG #: 0001706  
 DRAWN:BCM 5/4/2015  
 SHEET #31  
 File: 0001706.idw

**ALL DIMENSIONS IN INCHES**

THE INFORMATION CONTAINED IN THIS DRAWING IS THE SOLE PROPERTY OF CROWN INDUSTRIAL. ANY REPRODUCTION IN PART OR AS A WHOLE WITHOUT THE WRITTEN PERMISSION OF CROWN INDUSTRIAL IS PROHIBITED.

DESCRIPTION:

Lock Details

FINISH:

ID #: 0001984

STOCK PART #:

MATERIAL:

# PCS	REV:
1	



**CROWN INDUSTRIAL**  
 So. San Francisco, Ca  
 (650) 952-5150  
 www.crown-industrial.com