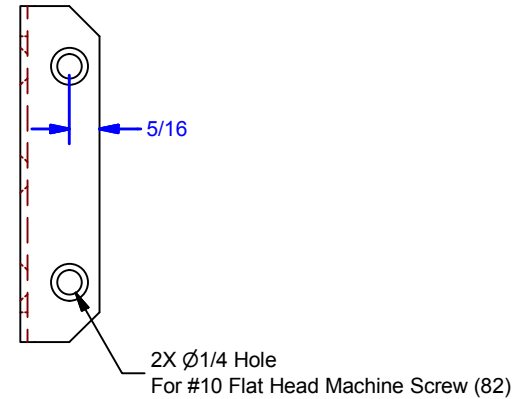
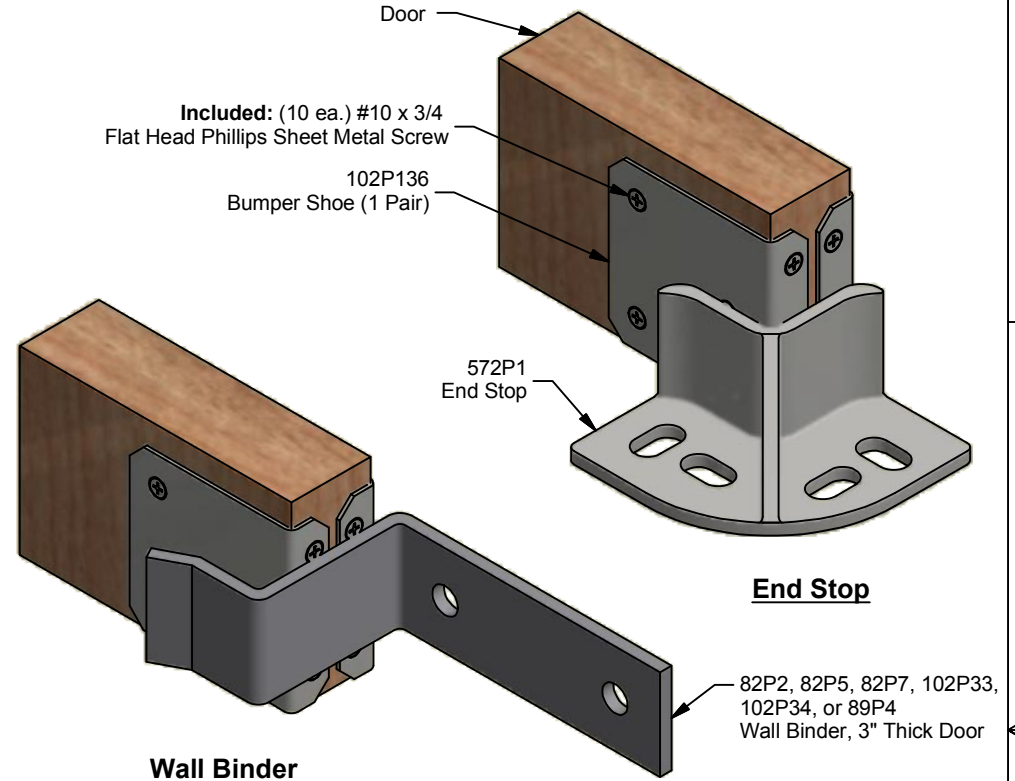


Available Finishes:
 0102.00136: Powder Coat Pebble Tan
 0102.00136SC: Powder Coat Black
 0102.00137: Galvanized
 0102.00136SS: 304 Stainless Steel, #4 Brushed Finish

DWG #: 102P136
 DRAWN: BCM 4/13/2009
 SHEET #1
 File: 0000614.idw



ALL DIMENSIONS IN INCHES

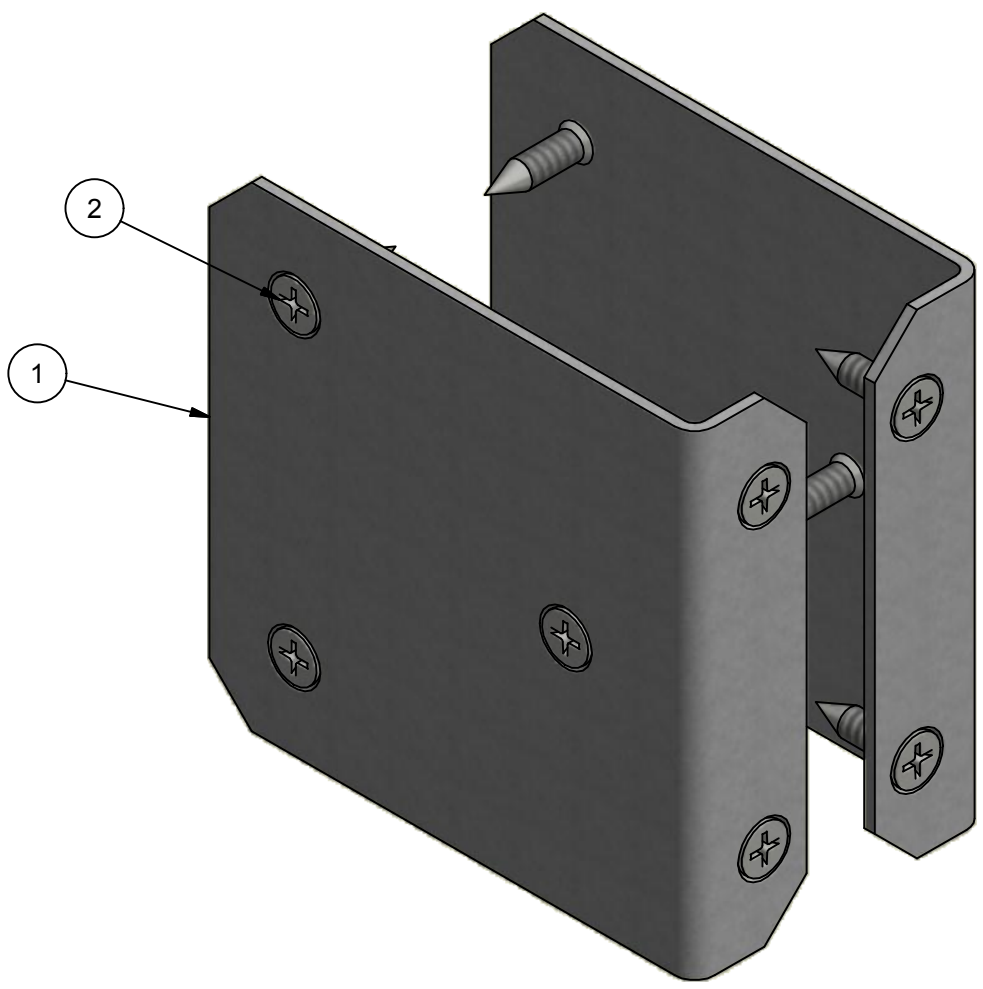
THE INFORMATION CONTAINED IN THIS DRAWING IS THE SOLE PROPERTY OF CROWN INDUSTRIAL. ANY REPRODUCTION IN PART OR AS A WHOLE WITHOUT THE WRITTEN PERMISSION OF CROWN INDUSTRIAL IS PROHIBITED.	ID #:	0000523	STOCK PART #:	102P136
	MATERIAL:	Steel, Mild		
DESCRIPTION: Bumper Shoe (1 Pair)				
FINISH:	# PCS:	2	REV:	



CROWN INDUSTRIAL
 So. San Francisco, Ca
 (650) 952-5150
 www.crown-industrial.com

4 | 3 | 2 | 1

Parts List				
ITEM	QTY	ID #	DESCRIPTION	STOCK #
1	2	0000614	Bumper Shoe (1 Pair)	102P136SS
2	10	FHPSMS No. 10-16 x 3/4 Zinc	Flat Head Phillips Sheet Metal Screw	



ALL DIMENSIONS IN INCHES

THE INFORMATION CONTAINED IN THIS DRAWING IS THE SOLE PROPERTY OF CROWN INDUSTRIAL. ANY REPRODUCTION IN PART OR AS A WHOLE WITHOUT THE WRITTEN PERMISSION OF CROWN INDUSTRIAL IS PROHIBITED.	ID #:	0001797	STOCK PART #:	102P136
	MATERIAL:			
DESCRIPTION:				
Bumper Shoe (1 Pair)				
FINISH:		# PCS:		REV:



CROWN INDUSTRIAL
 So. San Francisco, Ca
 (650) 952-5150
www.crown-industrial.com

DWG #: 102P136
 DRAWN: BCM 12/29/2014
 SHEET #2
 File: 0000614.idw

