

4

3

2

1

D

D

C

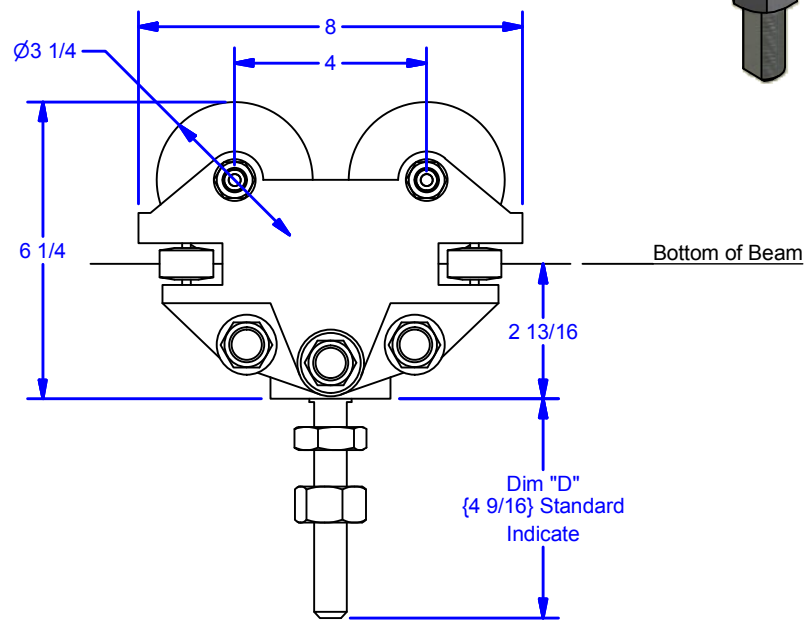
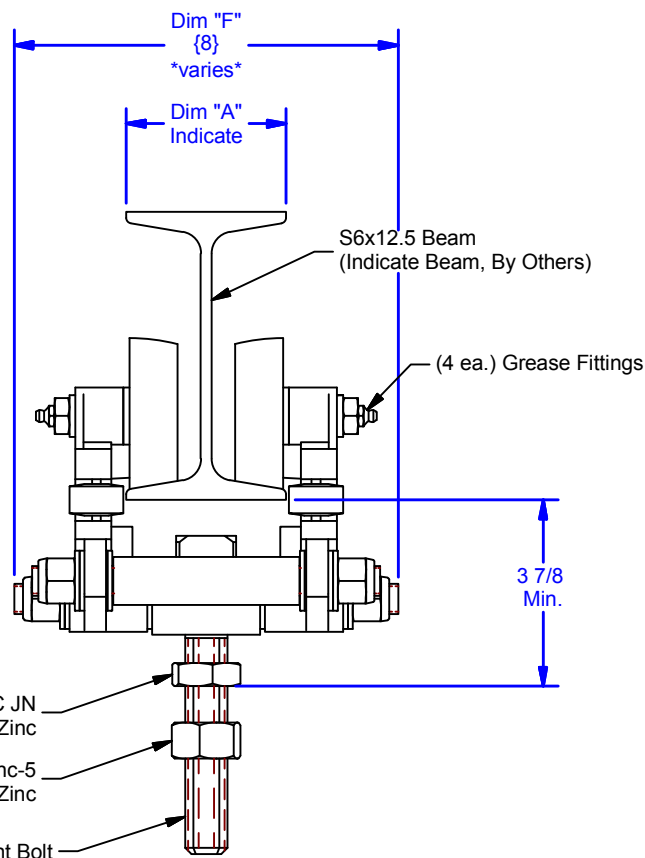
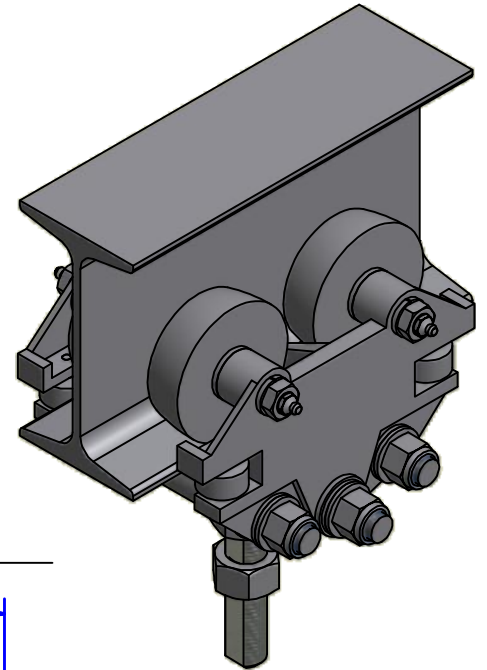
C

B

B

A

A



DWG #: 0000960  
 DRAWN:BCM 11/17/2015  
 SHEET #1  
 File: 0000960.idw

**ALL DIMENSIONS IN INCHES**

THE INFORMATION CONTAINED IN THIS DRAWING IS THE SOLE PROPERTY OF CROWN INDUSTRIAL. ANY REPRODUCTION IN PART OR AS A WHOLE WITHOUT THE WRITTEN PERMISSION OF CROWN INDUSTRIAL IS PROHIBITED.	ID #:	0002144	STOCK PART #:	10711
	MATERIAL:			
DESCRIPTION: 3/4 Ton I Beam Trolley w/ S6x12.5 Beam				
FINISH:	USP-Prime Ptd.	# PCS:	2	REV:



**CROWN INDUSTRIAL**  
 So. San Francisco, Ca  
 (650) 952-5150  
 www.crown-industrial.com

4

3

2

1

