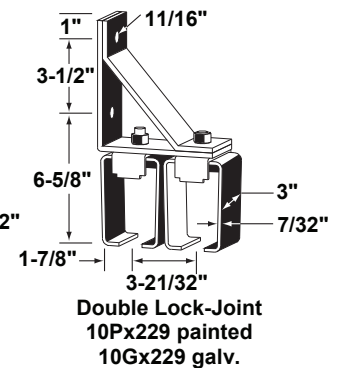
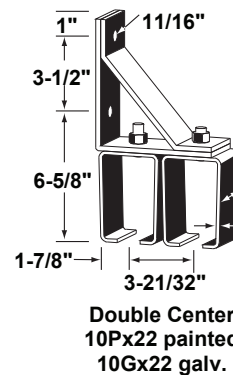
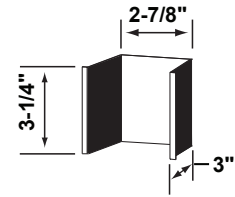
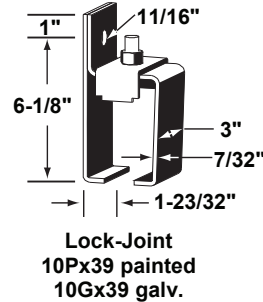
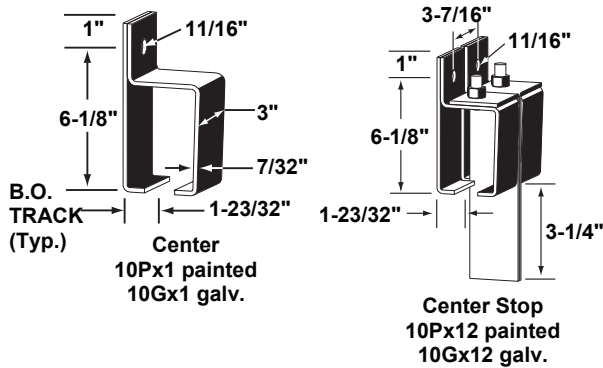


Brackets for No. 10 Track

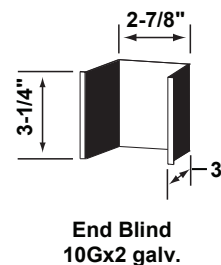
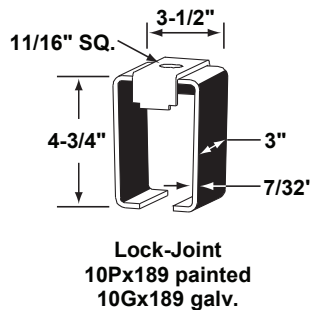
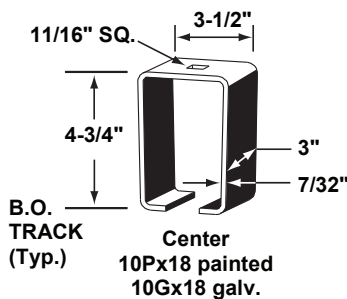
SIDEWALL



Shipping Weight By Bracket Number and Description

Number	10Px1 10Gx1	10Px39 10Gx39	10Px12 10Gx12	10Px22 10Gx22	10Px229 10Gx229
Description	Center	Lock Joint	Center Stop	Dbl. Center	Dbl. Lock Joint
Weight in Lbs.	4	4-1/2	12	12	13

OVERHEAD



Shipping Weight By Bracket Number and Description

Number	10PX18 10GX18	10PX189 10GX189
Description	Center	Lock Joint
Weight in Lbs.	3	3-1/2

NOTE: MAX. BRACKET SPACING 24" ON CENTERS. Tracks extend into center stop and end brackets 3".
*Use end blind in combination with any center bracket to produce an end bracket.