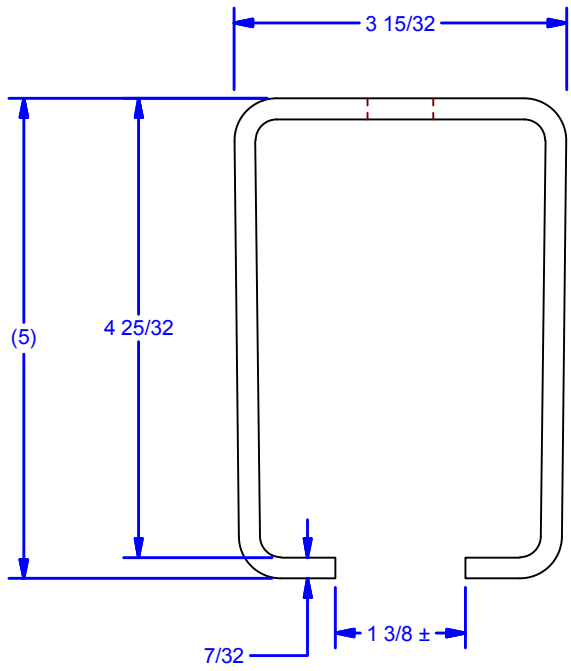
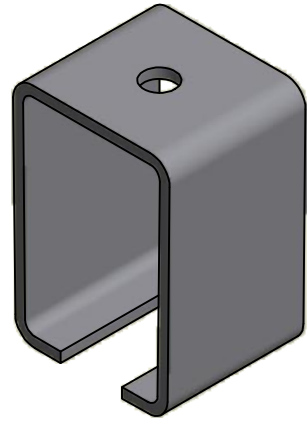
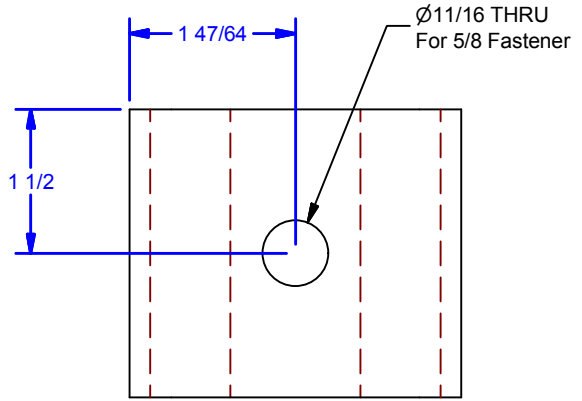


4

3

2

1



Note:
24" On Center Maximum Bracket Spacing

- Available Finishes:**
- Powder Coat Pebble Tan
 - Powder Coat Black
 - Galvanized

DWG #: 0000817
DRAWN:BCM 7/6/2010
SHEET #6
File: 0000817.idw

ALL DIMENSIONS IN INCHES

THE INFORMATION CONTAINED IN THIS DRAWING IS THE SOLE PROPERTY OF CROWN INDUSTRIAL. ANY REPRODUCTION IN PART OR AS A WHOLE WITHOUT THE WRITTEN PERMISSION OF CROWN INDUSTRIAL IS PROHIBITED.	ID #:	0000818	STOCK PART #:	10x18
	MATERIAL:	Steel, Mild		
DESCRIPTION: Overhead Center Bracket				
FINISH:			# PCS:	1
			REV:	



CROWN INDUSTRIAL
So. San Francisco, Ca
(650) 952-5150
www.crown-industrial.com

4

3

2

1