

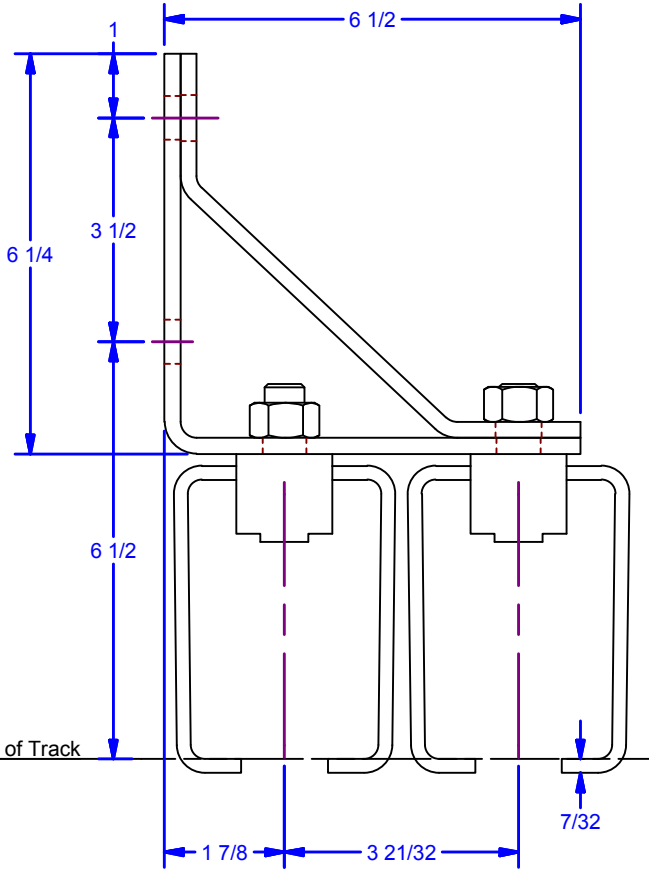
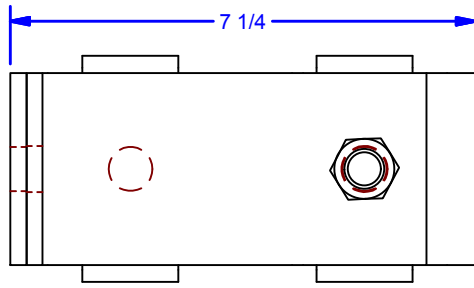
4

3

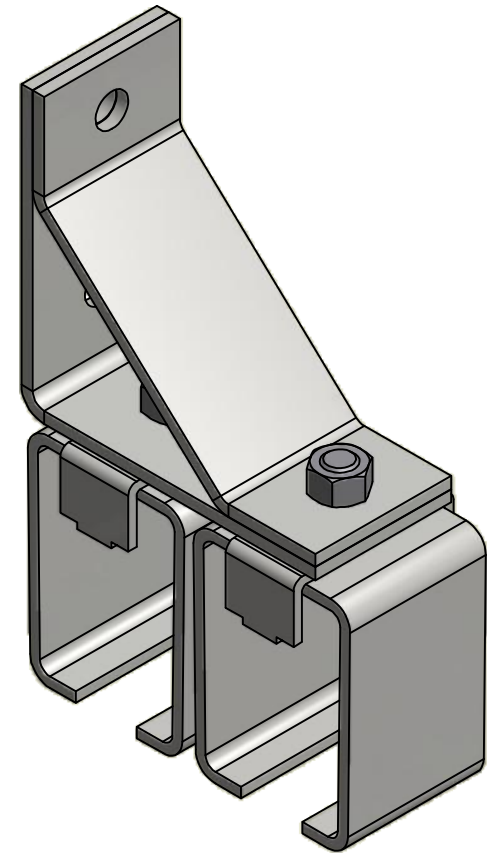
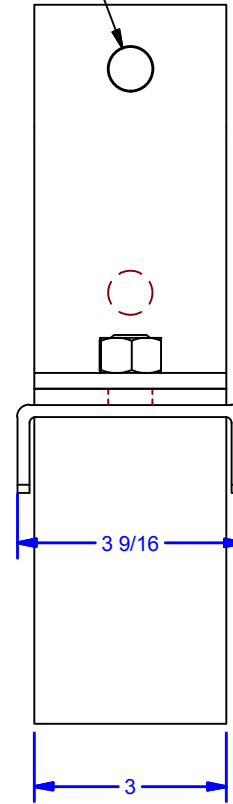


2

1



2X Ø11/16 THRU
For 5/8 Fasteners (By Others)



ALL DIMENSIONS IN INCHES

THE INFORMATION CONTAINED IN THIS DRAWING IS THE SOLE PROPERTY OF CROWN INDUSTRIAL. ANY REPRODUCTION IN PART OR AS A WHOLE WITHOUT THE WRITTEN PERMISSION OF CROWN INDUSTRIAL IS PROHIBITED.

PART #: 0001865

STOCK #: 10x229

MATERIAL:

DESCRIPTION:

Double Joint Bracket

FINISH:

PC PS / PC Black / Galv

PCS:

1

REV:

DWG #: #10
DRAWN:BCM 2/10/2015
SHEET #11

File: 0000817.idw



CROWN INDUSTRIAL

So. San Francisco, Ca
(650) 952-5150

www.crown-industrial.com

4

3



2

1

D

D

C

C

B

B

A

A