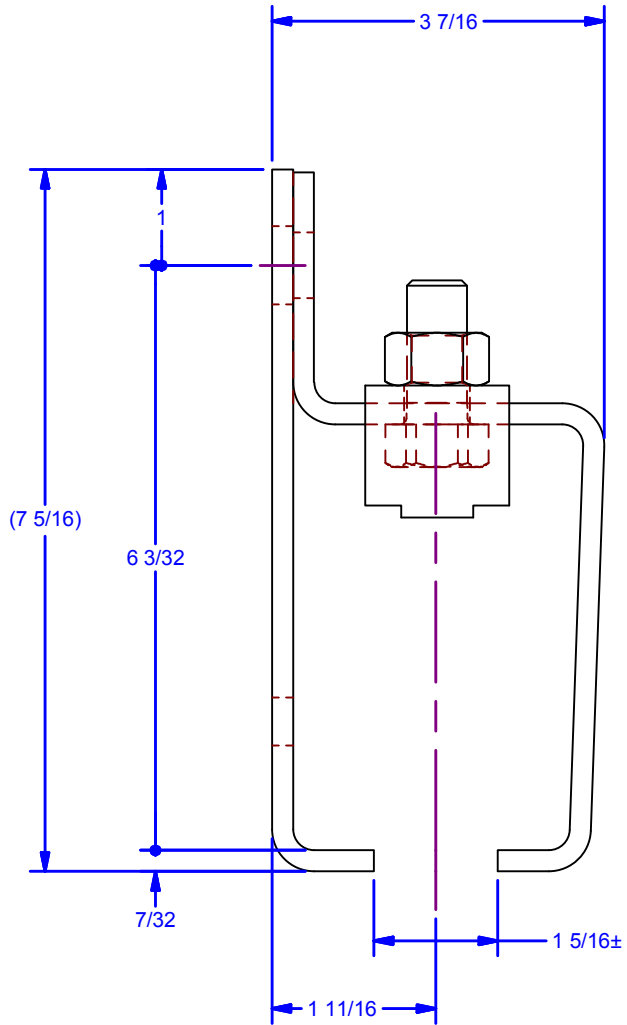
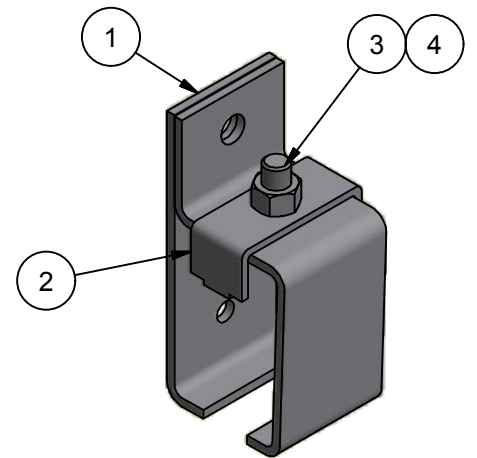
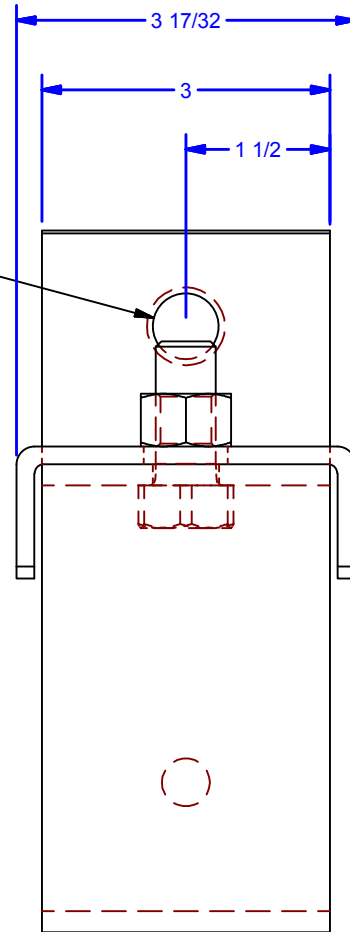


Parts List				
ITEM	QTY	ID #	DESCRIPTION	STOCK PART #
1	1	0000810	Sidewall Center Bracket Assy	10x1
2	1	0000814	Joint Clip, #10 Track	
3	1	(HHMB) 5/8-11 UNC - 1.5	Hex Head Machine Bolt-Grade 5	
4	1	N 5/8 - 11	Hex Nut - Grade 5	



Ø11/16 THRU
For 5/8 Fastener



ALL DIMENSIONS IN INCHES

THE INFORMATION CONTAINED IN THIS DRAWING IS THE SOLE PROPERTY OF CROWN INDUSTRIAL. ANY REPRODUCTION IN PART OR AS A WHOLE WITHOUT THE WRITTEN PERMISSION OF CROWN INDUSTRIAL IS PROHIBITED.

DESCRIPTION:

Sidewall Joint Bracket Assy

FINISH:

ID #: 0000813

MATERIAL:

STOCK PART #: 10x39

# PCS:	1
REV:	

DWG #: 0000817
DRAWN:BCM 6/21/2010
SHEET #2
File: 0000817.idw

Note:
For Joining Two Sections of Track Together



CROWN INDUSTRIAL

So. San Francisco, Ca
(650) 952-5150

www.crown-industrial.com