

4

3

2

1

D

D

C

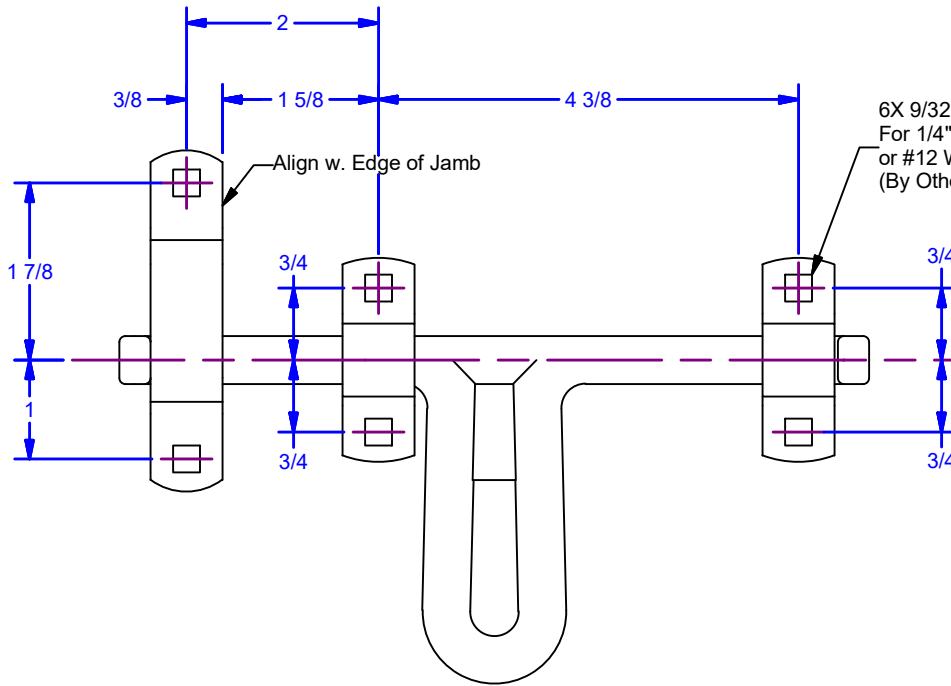
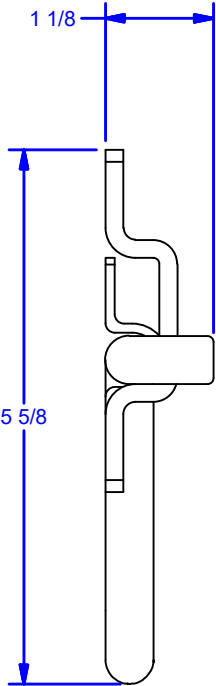
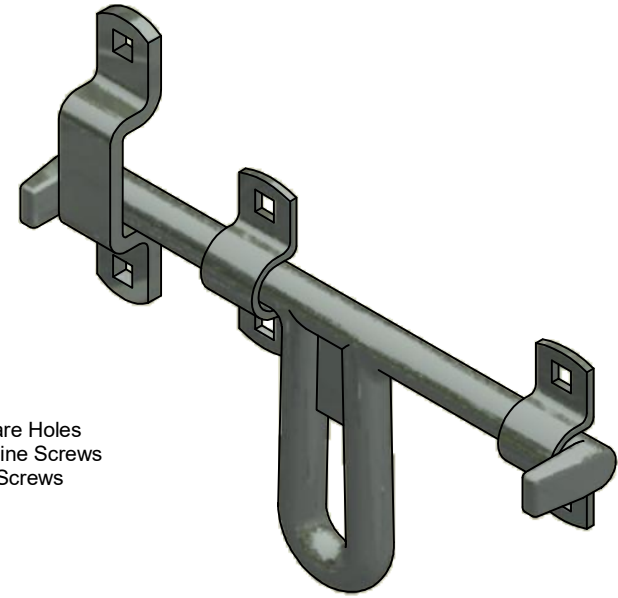
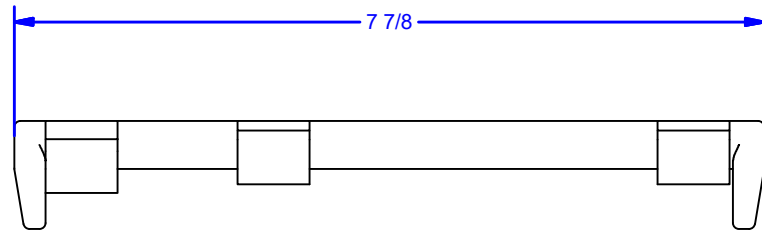
C

B

B

A

A



6X 9/32" Square Holes  
For 1/4" Machine Screws  
or #12 Wood Screws  
(By Others)

**NON TEMPLATE DRAWING,  
USE FOR REFERENCE ONLY**

**Available Finishes:**  
0128.00010: Powder Coat Pebble Tan  
0128.00010SC: Powder Coat Black  
0128.00012: Clear Zinc Plated

**ALL DIMENSIONS IN INCHES**

THE INFORMATION CONTAINED IN THIS DRAWING IS THE SOLE PROPERTY OF CROWN INDUSTRIAL. ANY REPRODUCTION IN PART OR AS A WHOLE WITHOUT THE WRITTEN PERMISSION OF CROWN INDUSTRIAL IS PROHIBITED.	ID #:	0000832	STOCK PART #:	0128.00010 / 0128.00012
	MATERIAL:			
DESCRIPTION: Medium Latch Horse Follower Assy				
FINISH:			# PCS:	REV:



**CROWN INDUSTRIAL**  
So. San Francisco, Ca  
(650) 952-5150  
www.crown-industrial.com

DWG #: 128P10  
DRAWN: BCM 7/16/2010  
SHEET #1  
File: 0000832.idw

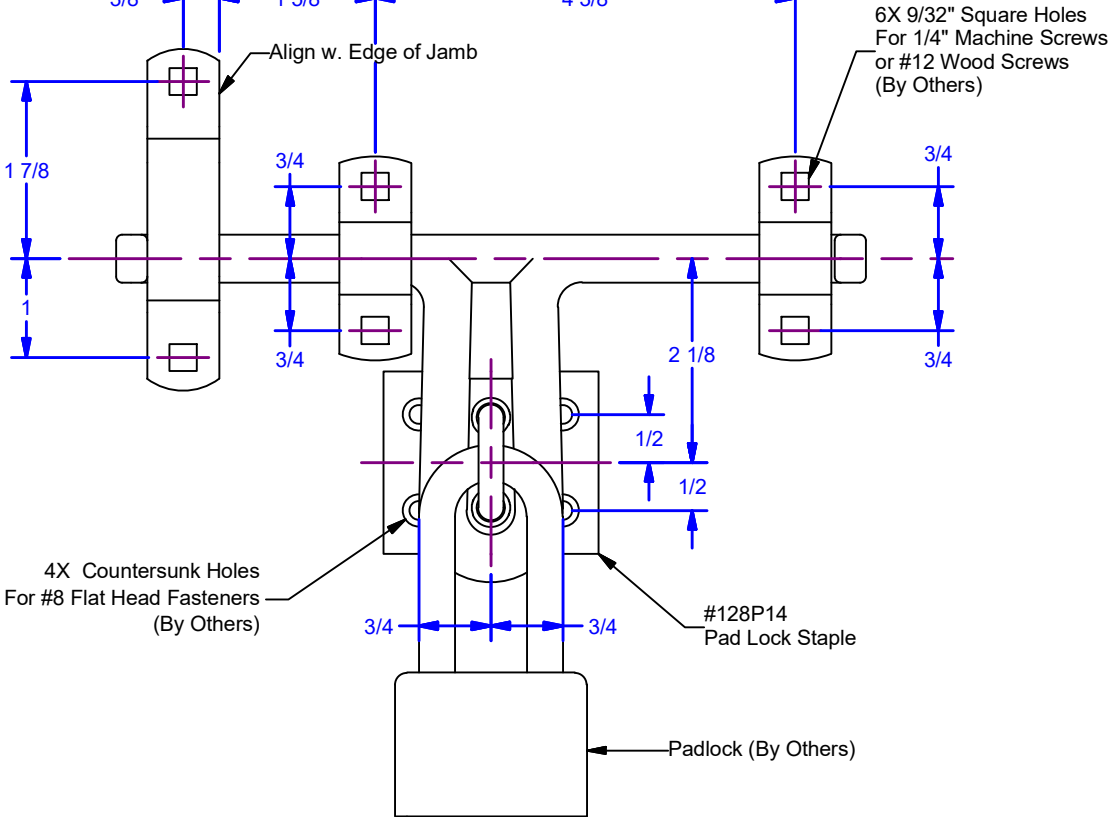
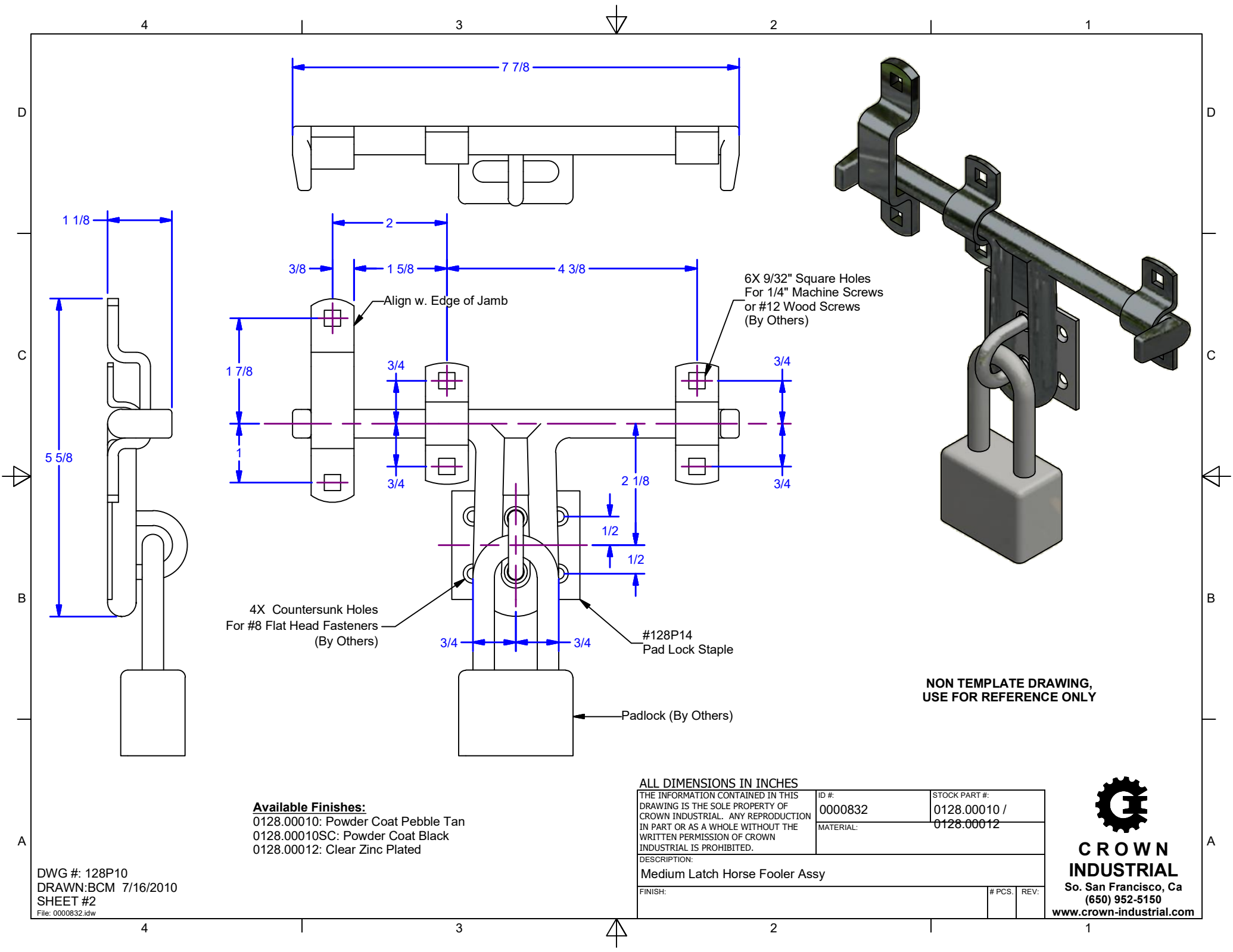
4

3

2

1





**NON TEMPLATE DRAWING,  
USE FOR REFERENCE ONLY**

**Available Finishes:**  
 0128.00010: Powder Coat Pebble Tan  
 0128.00010SC: Powder Coat Black  
 0128.00012: Clear Zinc Plated

**ALL DIMENSIONS IN INCHES**

THE INFORMATION CONTAINED IN THIS DRAWING IS THE SOLE PROPERTY OF CROWN INDUSTRIAL. ANY REPRODUCTION IN PART OR AS A WHOLE WITHOUT THE WRITTEN PERMISSION OF CROWN INDUSTRIAL IS PROHIBITED.	ID #:	STOCK PART #:
	0000832	0128.00010 / 0128.00012
DESCRIPTION:		MATERIAL:
Medium Latch Horse Follower Assy		
FINISH:	# PCS:	REV:



**CROWN INDUSTRIAL**  
 So. San Francisco, Ca  
 (650) 952-5150  
 www.crown-industrial.com

DWG #: 128P10  
 DRAWN: BCM 7/16/2010  
 SHEET #2  
 File: 0000832.idw

4

3

2

1

D

D

C

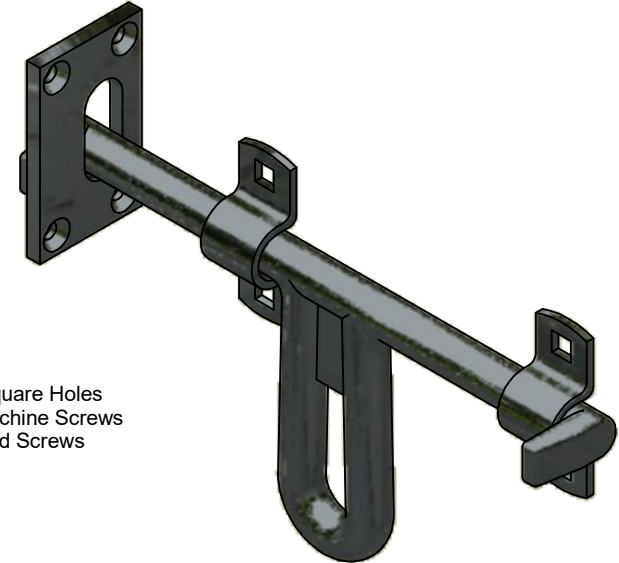
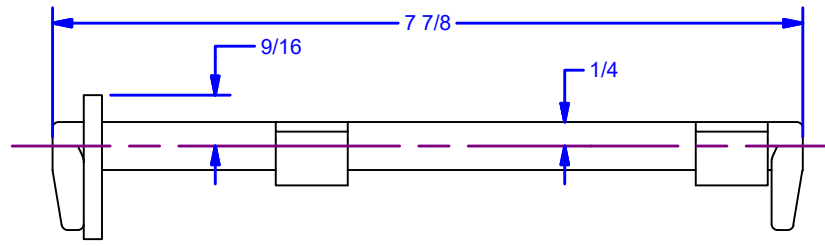
C

B

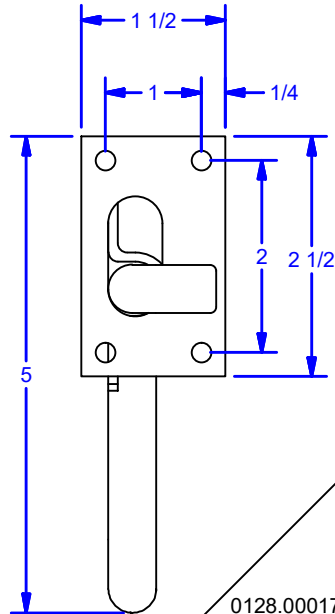
B

A

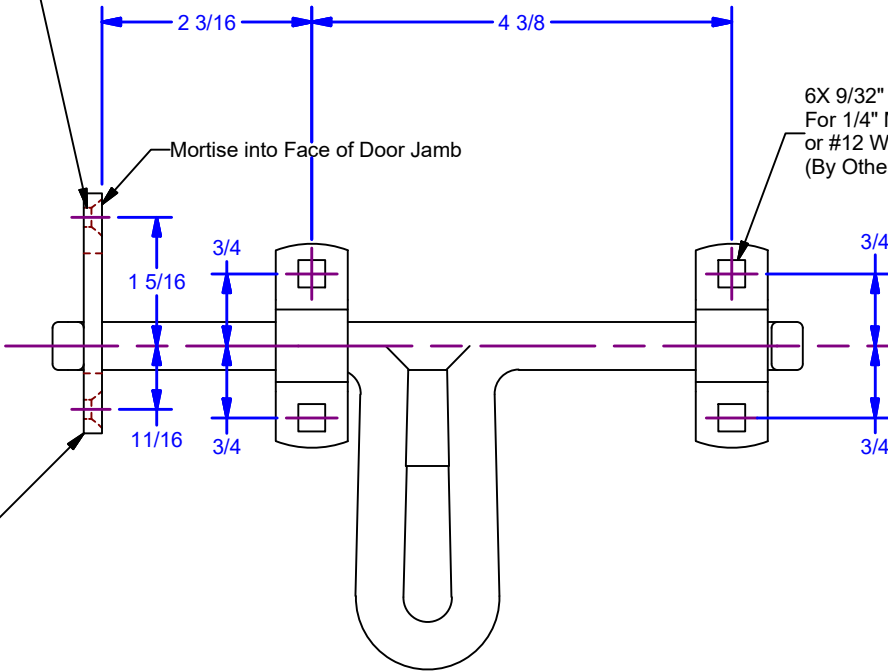
A



4X Countersunk Holes  
For #10 Flat Head Fasteners (By Others)



0128.00017  
Horse Footer Strike Plate for 128P10/128P12 Latch



6X 9/32" Square Holes  
For 1/4" Machine Screws  
or #12 Wood Screws  
(By Others)

**Available Finishes:**  
0128.00010: Powder Coat Pebble Tan  
0128.00010SC: Powder Coat Black  
0128.00012: Clear Zinc Plated

**NON TEMPLATE DRAWING,  
USE FOR REFERENCE ONLY**

DWG #: 128P10  
DRAWN:BCM 7/16/2010  
SHEET #3  
File: 0000832.idw

**ALL DIMENSIONS IN INCHES**

THE INFORMATION CONTAINED IN THIS DRAWING IS THE SOLE PROPERTY OF CROWN INDUSTRIAL. ANY REPRODUCTION IN PART OR AS A WHOLE WITHOUT THE WRITTEN PERMISSION OF CROWN INDUSTRIAL IS PROHIBITED.	ID #:	0000832	STOCK PART #:	0128.00010 / 0128.00012
	MATERIAL:			
DESCRIPTION: Medium Latch Horse Footer Assy				
FINISH:	# PCS:	REV:		



**CROWN INDUSTRIAL**  
So. San Francisco, Ca  
(650) 952-5150  
www.crown-industrial.com

4

3

2

1

D

D

C

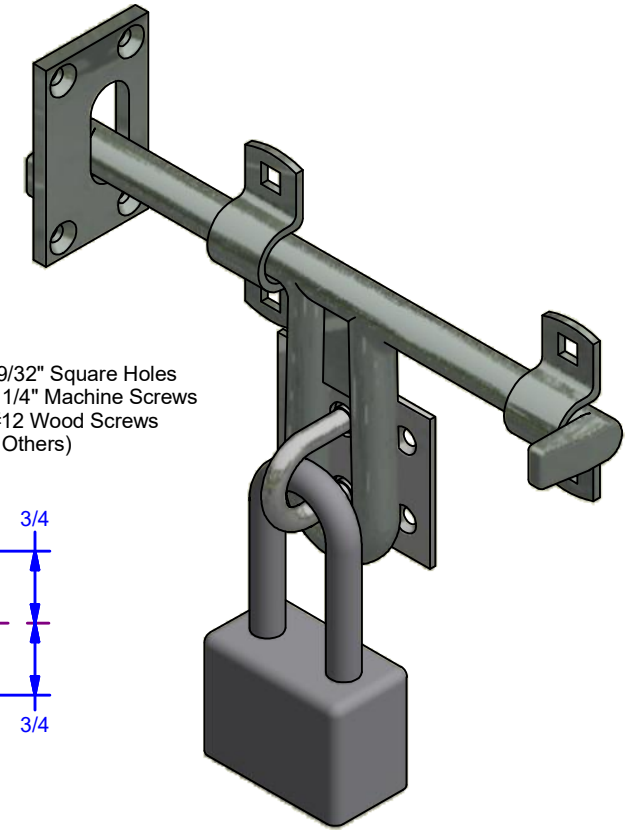
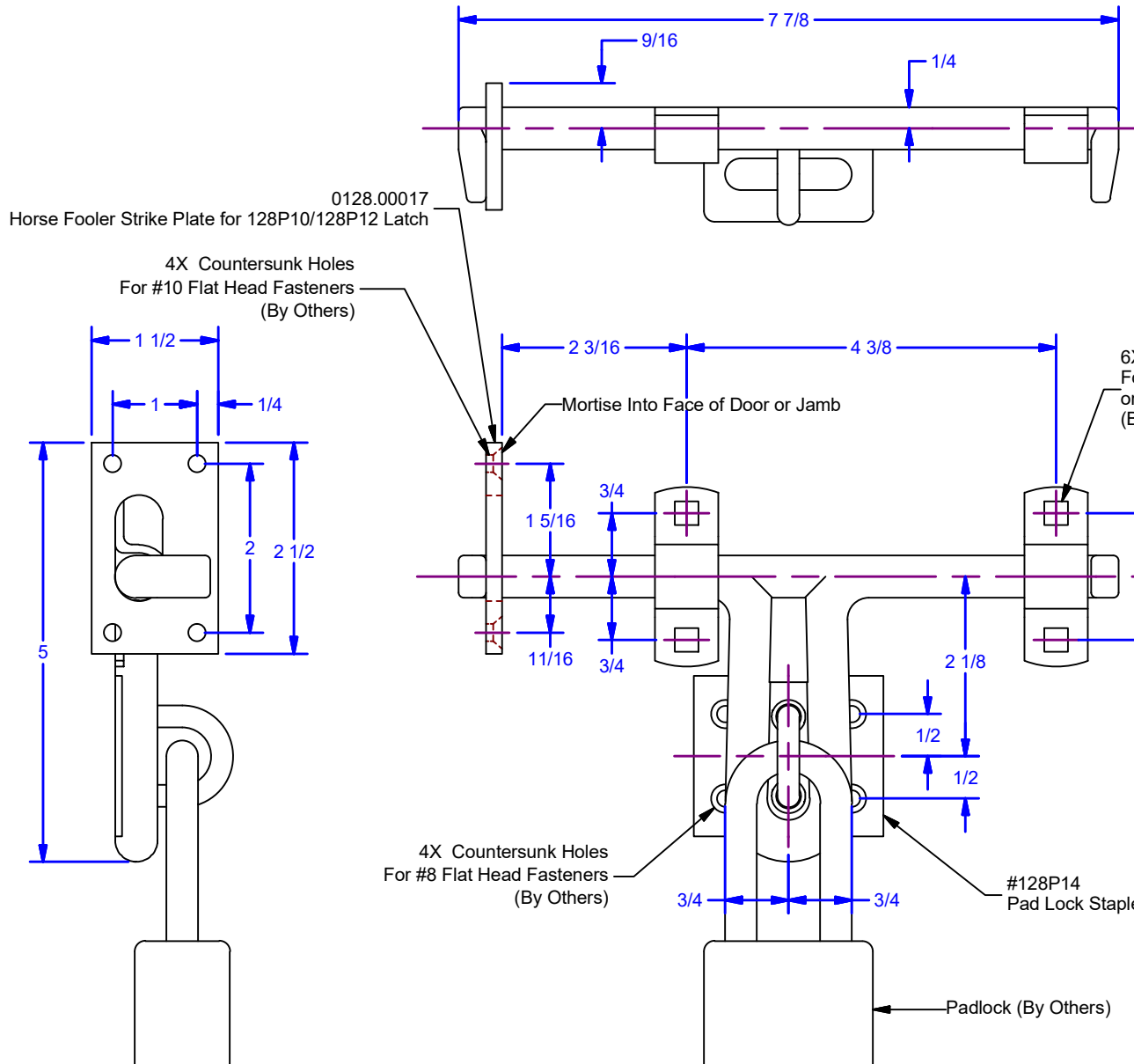
C

B

B

A

A



**NON TEMPLATE DRAWING,  
USE FOR REFERENCE ONLY**

**Available Finishes:**  
 0128.00010: Powder Coat Pebble Tan  
 0128.00010SC: Powder Coat Black  
 0128.00012: Clear Zinc Plated

**ALL DIMENSIONS IN INCHES**

THE INFORMATION CONTAINED IN THIS DRAWING IS THE SOLE PROPERTY OF CROWN INDUSTRIAL. ANY REPRODUCTION IN PART OR AS A WHOLE WITHOUT THE WRITTEN PERMISSION OF CROWN INDUSTRIAL IS PROHIBITED.

DESCRIPTION:  
 Medium Latch Horse Fooler Assy

FINISH:

ID #:  
 0000832

MATERIAL:

STOCK PART #:  
 0128.00010 /  
 0128.00012

# PCS: | REV:

DWG #: 128P10  
 DRAWN:BCM 7/16/2010  
 SHEET #4  
 File: 0000832.idw



**CROWN INDUSTRIAL**  
 So. San Francisco, Ca  
 (650) 952-5150  
 www.crown-industrial.com

4

3

2

1

