

4

3

2

1

D

D

C

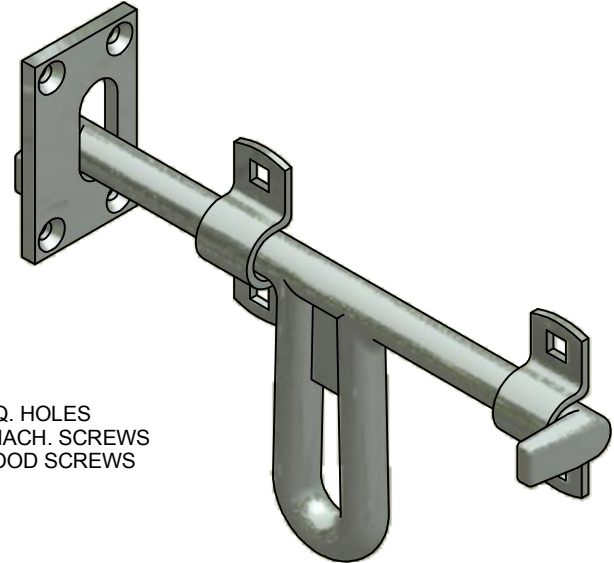
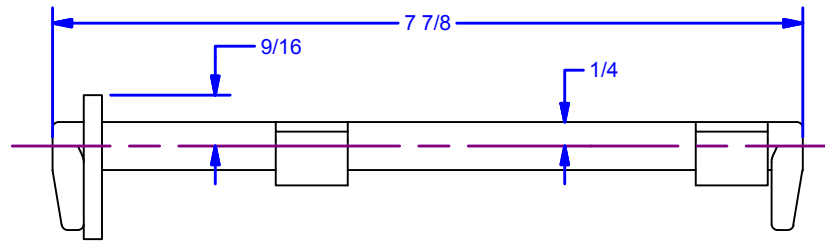
C

B

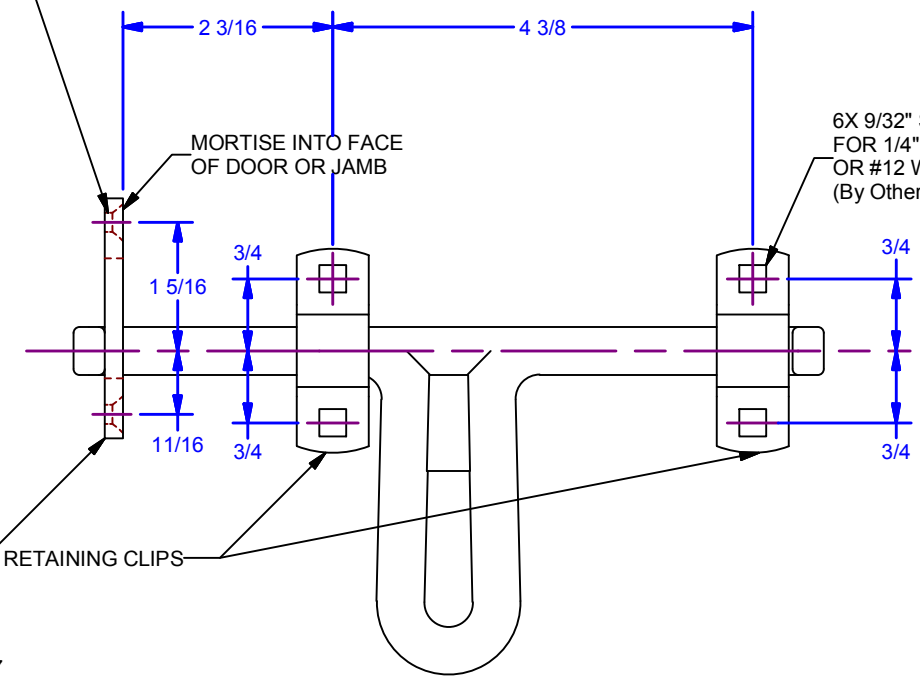
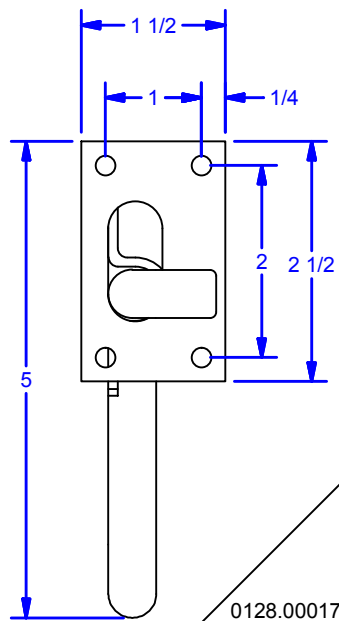
B

A

A



4X COUNTERSUNK HOLES
FOR #10 FLAT HEAD FASTENER
(By Others)



6X 9/32" SQ. HOLES
FOR 1/4" MACH. SCREWS
OR #12 WOOD SCREWS
(By Others)

MORTISE INTO FACE
OF DOOR OR JAMB

RETAINING CLIPS

0128.00017
Horse Footer Strike Plate for 128P10/128P12 Latch

0128.00010 LATCH (PAINTED)
0128.00012 LATCH (ZINC)

NOTE: RETAINING CLIPS FOR
LATCH ALWAYS ZINC PLTD.

NON TEMPLATE DRAWING,
USE FOR REFERENCE ONLY

DWG #: 128P10
DRAWN:BCM 7/16/2010
SHEET #3
File: 0000832.idw

ALL DIMENSIONS IN INCHES

THE INFORMATION CONTAINED IN THIS
DRAWING IS THE SOLE PROPERTY OF
CROWN INDUSTRIAL. ANY REPRODUCTION
IN PART OR AS A WHOLE WITHOUT THE
WRITTEN PERMISSION OF CROWN
INDUSTRIAL IS PROHIBITED.

| | |
|--------------------|--|
| PART #: 0000832 | STOCK #: 0128.00010 / 0128.00012 |
| MATERIAL: | |

DESCRIPTION:
Medium Latch Horse Footer Assy

| | | |
|--------------------|-------------|-----------|
| FINISH: Specify | # PCS: 1 | REV: 1 |
|--------------------|-------------|-----------|



**CROWN
INDUSTRIAL**
So. San Francisco, Ca
(650) 952-5150
www.crown-industrial.com

4

3

2

1



4

3

2

1

D

D

C

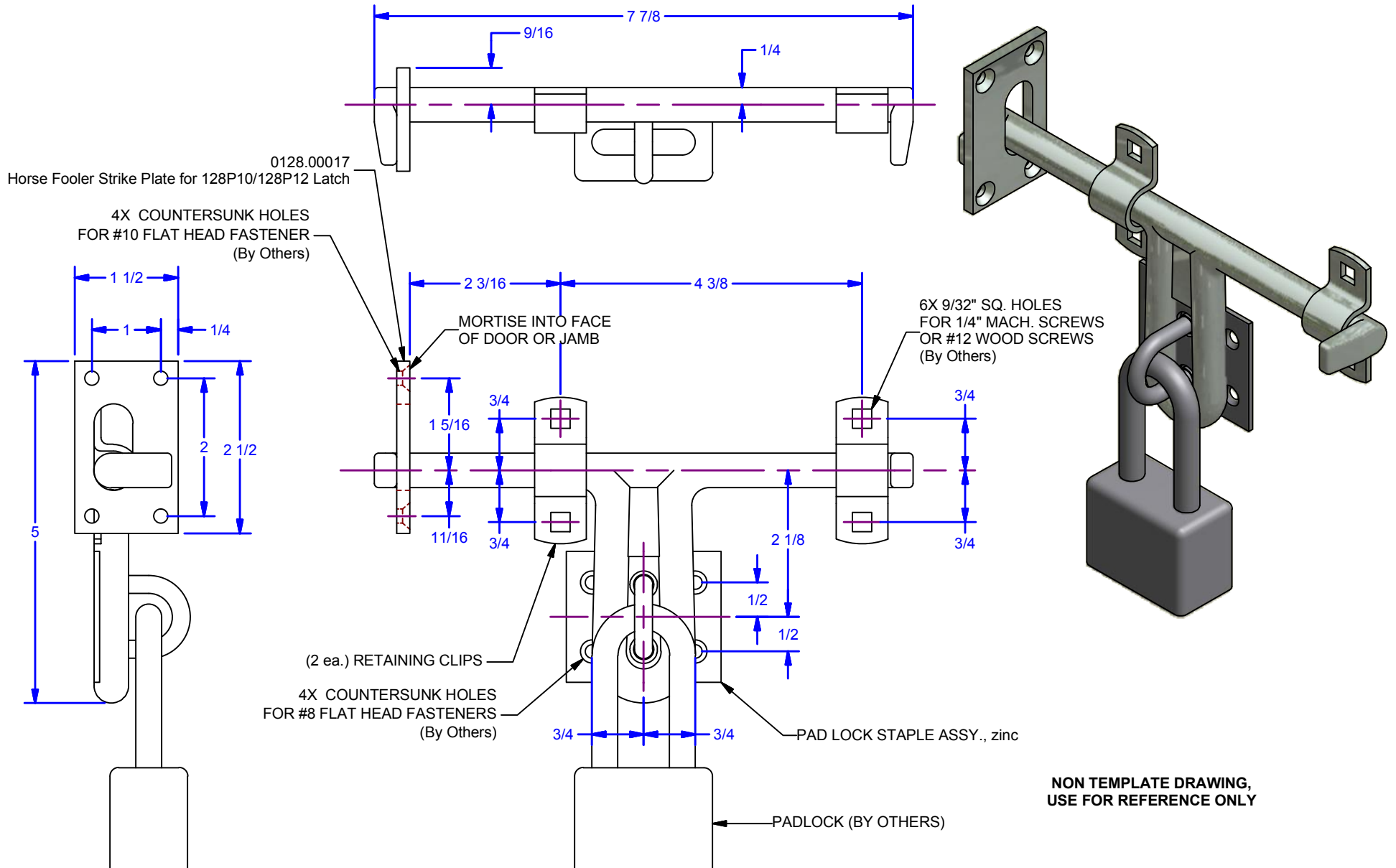
C

B

B

A

A



**NON TEMPLATE DRAWING,
USE FOR REFERENCE ONLY**

0128.00010 LATCH (PAINTED)
0128.00012 LATCH (ZINC)

NOTE: RETAINING CLIPS FOR
LATCH ALWAYS ZINC PLTD.

ALL DIMENSIONS IN INCHES

THE INFORMATION CONTAINED IN THIS DRAWING IS THE SOLE PROPERTY OF CROWN INDUSTRIAL. ANY REPRODUCTION IN PART OR AS A WHOLE WITHOUT THE WRITTEN PERMISSION OF CROWN INDUSTRIAL IS PROHIBITED.

| | | | |
|-----------|---------|----------|-------------------------|
| PART #: | 0000832 | STOCK #: | 0128.00010 / 0128.00012 |
| MATERIAL: | | | |

DESCRIPTION:
Medium Latch Horse Foaler Assy

| | | | | | |
|---------|---------|--------|---|------|--|
| FINISH: | Specify | # PCS: | 1 | REV: | |
|---------|---------|--------|---|------|--|

DWG #: 128P10
DRAWN:BCM 7/16/2010
SHEET #4
File: 0000832.idw



CROWN INDUSTRIAL
So. San Francisco, Ca
(650) 952-5150
www.crown-industrial.com

4

3

2

1

