



C R O W N  
I N D U S T R I A L  
O P E R A T O R S

Read  
This

# GENERAL OPERATOR WIRING AND CONTROL INFORMATION

**Aut-o-doR**

# 1295 SLIDING GATE OPERATORS

Copyright © Crown Industrial Operators 2000

## Crown Industrial Operators

(formerly manufactured by Richards-Wilcox)

213 Michelle Court

So. San Francisco, CA 94080

phone: (650) 952-5150

fax: (650) 873-1495

website: [www.crown-industrial.com](http://www.crown-industrial.com)

**G-992-R2**

## CONTENTS

	<b>PAGE</b>
INTRODUCTION AND GENERAL NOTES . . . . .	3
OPERATOR & REVERSING STARTER WIRING	
460 Volts - 60 Hz - 3 Phase . . . . .	4
230 Volts - 60 Hz - 3 Phase . . . . .	5
230 Volts - 60 Hz - 1 Phase . . . . .	6
115 Volts - 60 Hz - 1 Phase . . . . .	7
CONTROL WIRING	
"Open" - "Close" Pushbutton Control . . . . .	8
"Open" - "Stop" - "Close" Pushbutton Control . . . . .	9
Momentary Impulse - Timer Control . . . . .	10
Momentary Impulse - Sequence Relay Control . . . . .	10

NOTE: We reserve the right to modify or change, without prior notice, any statements or information contained herein. If exact dimensions or specifications are required by the customer certified prints will be furnished without charge upon request to Crown Industrial Operators. This manual covers standard catalogued operators only and does not cover special non-standard equipment.

## Introduction

The Crown Industrial No. 1295 Electric Gate Operator is supplied with the internal wiring of the electrical components completed at the factory. Terminal strip provision is supplied for site wiring of the operator to external power supply and control system. The factory wiring provides for ease in site applying a number of different control systems to the operator by variations in terminal connections and bridging. The purpose of this booklet is to provide wiring diagrams and instructions for the most popular of the Gate Operator Control Systems. It is to be used in connection with the Installation Manual (G-991) supplied with each operator.

## General Notes

Wiring diagrams have been prepared to illustrate conditions with the gate in the fully closed position. On the wiring diagrams of the Operator Assemblies i.e. pages 4, 5, 6 and 7 heavy weight lines have been used to denote the internal power wiring and lighter weight lines for internal control wiring. On the diagrams of "Control Systems" i.e. pages 8, 9, 10 and 11 heavy weight lines have been used to show site wiring and lighter weight lines to denote factory wiring. In the control diagrams, control circuit transformers are shown. (Control circuit transformers are not provided with operators intended for use on 115 volt power supplies.) Terminal connection numbers for control wiring are always retained.

See general installation instructions manual (G-991) for establishing proper direction of gate travel.

### WARNING

The operator is pre-wired and tested at the factory for a specific voltage and is marked as such. Check to insure that your power source is the same as shown on the packing list from the packing list envelope. Bring power and control leads to the operator and connect to the proper numbered terminals in the operator terminal box.

### WARNING

**BE SURE ALL POWER IS ALWAYS OFF WHILE WIRING OR SERVICING OPERATOR. UPON APPLYING POWER, SOME ELECTRICAL GATE OPERATOR CONTROL CIRCUITS CAN CAUSE IMMEDIATE GATE OPERATION. INSURE THAT THE PATH OF THE GATE IS FREE FROM OBSTRUCTIONS AND PERSONNEL BEFORE TURNING POWER ON.**

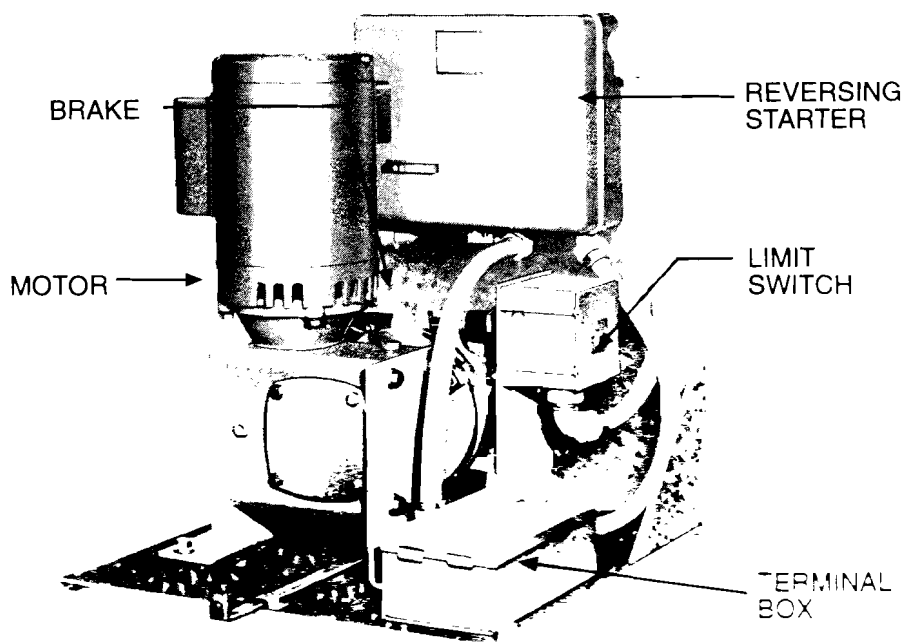
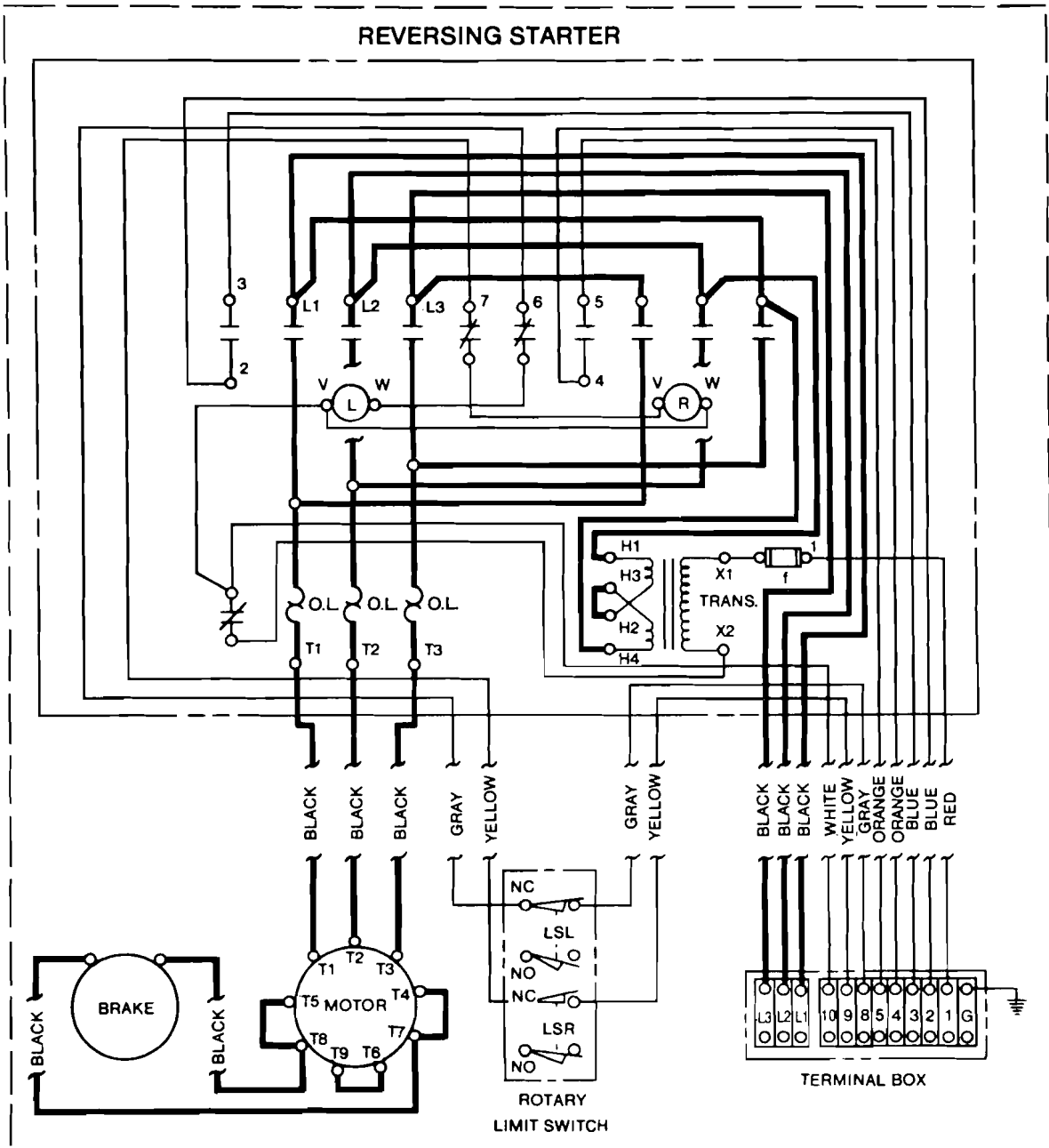
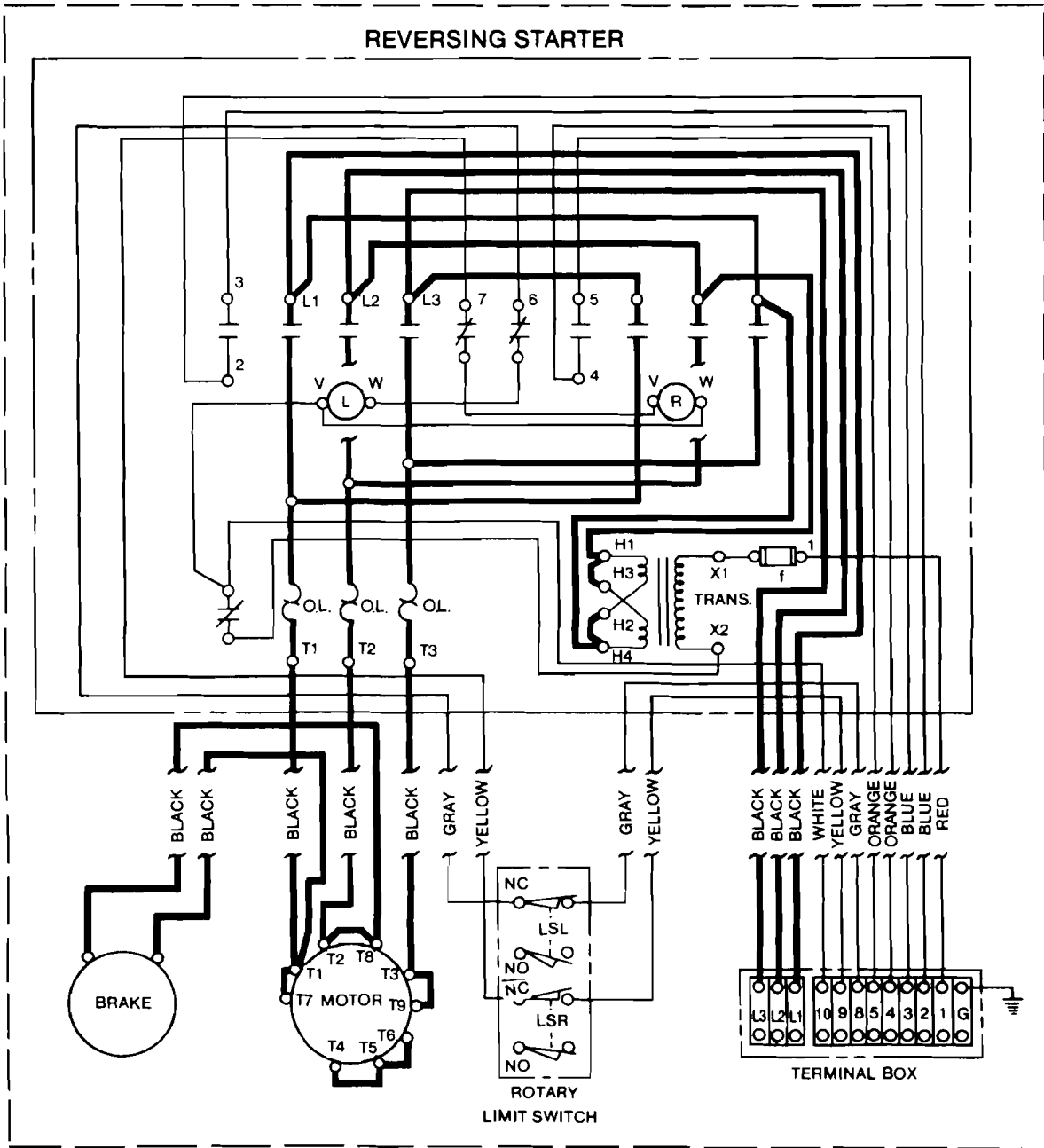
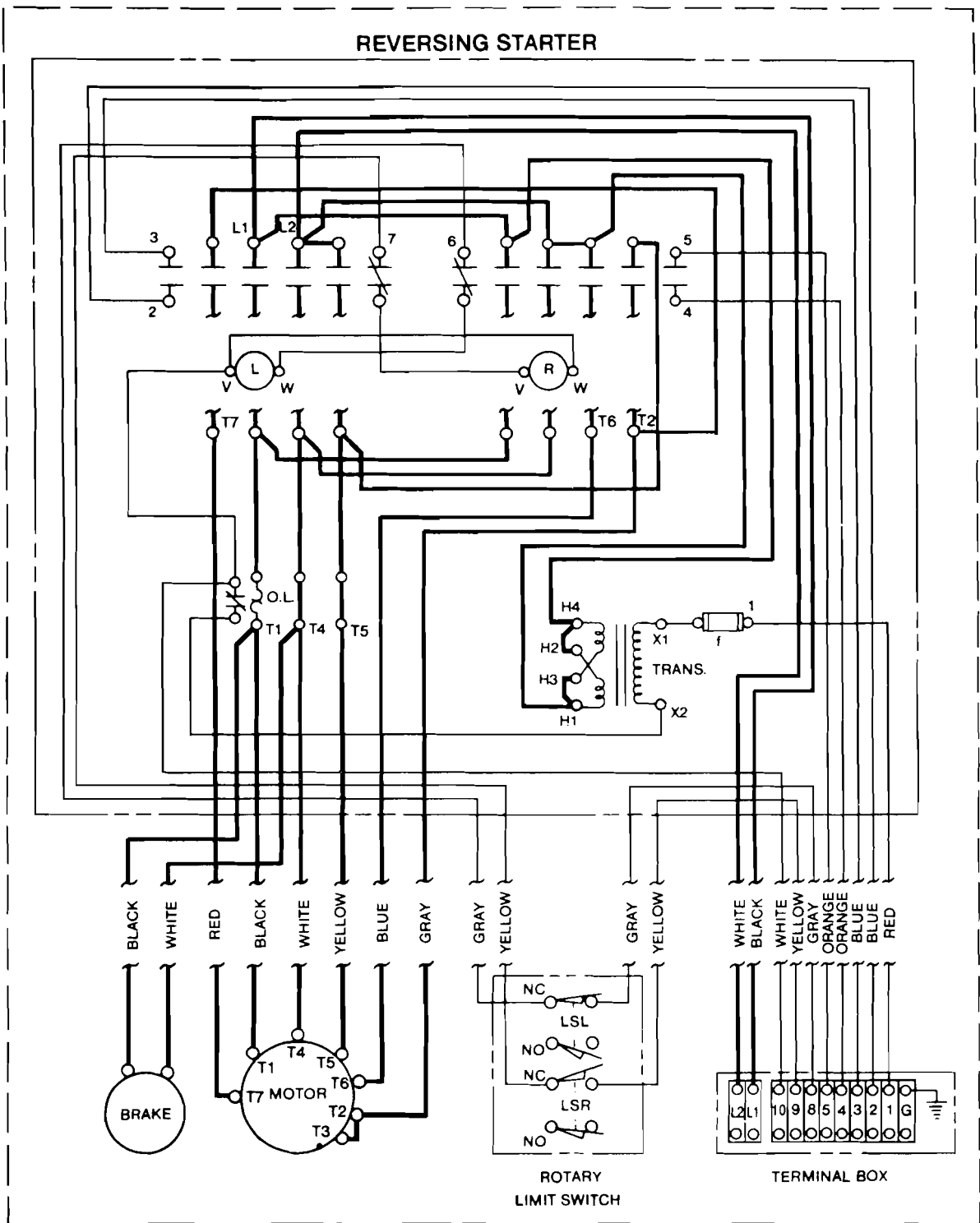


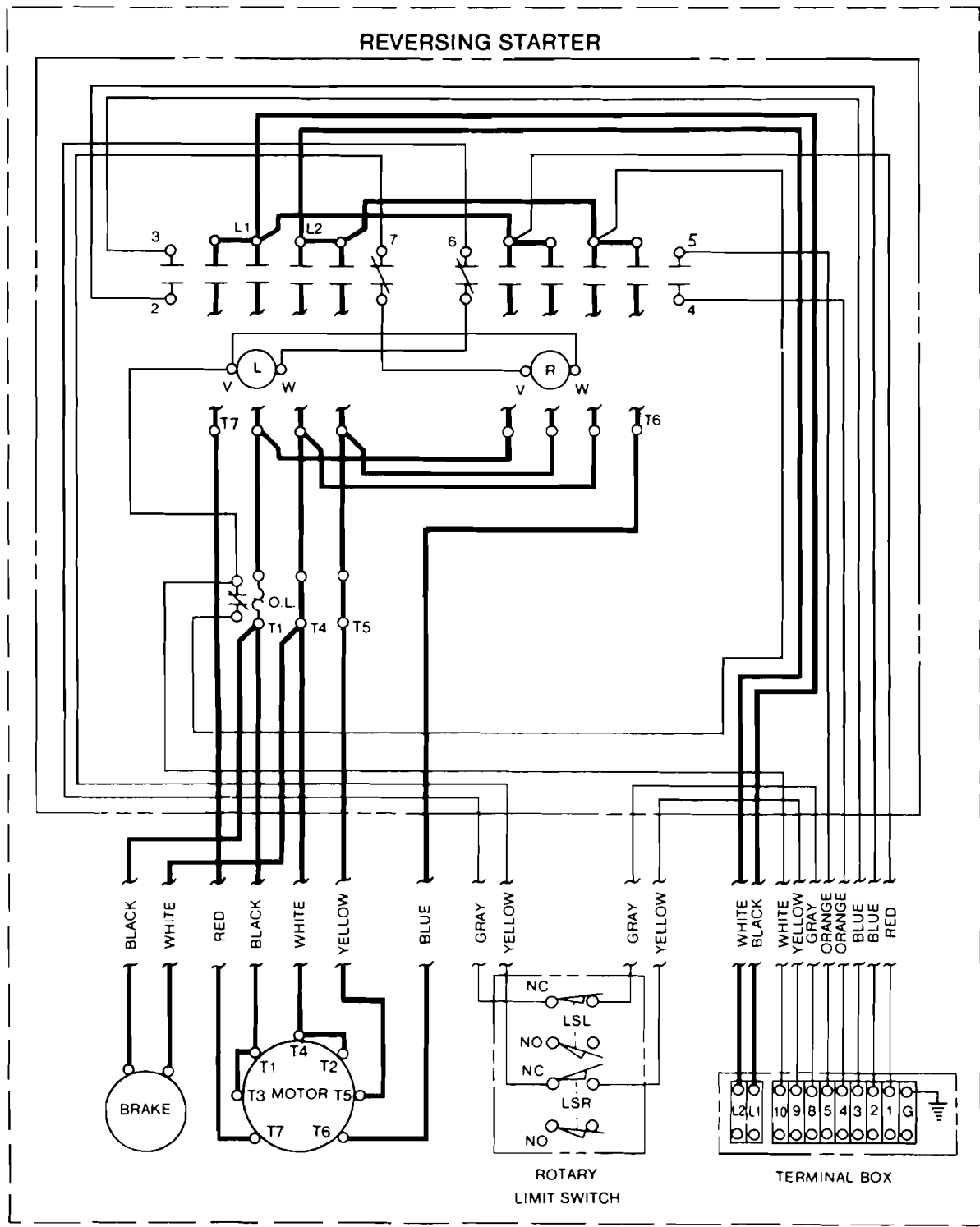
Figure 1. 1295 Slide Gate Operator  
shown without weather-res start cover

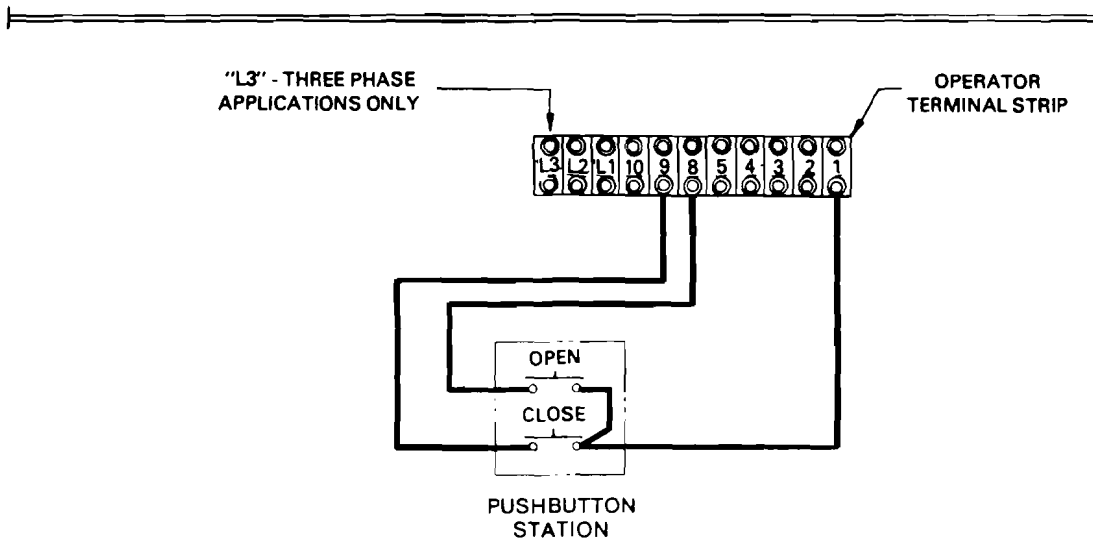




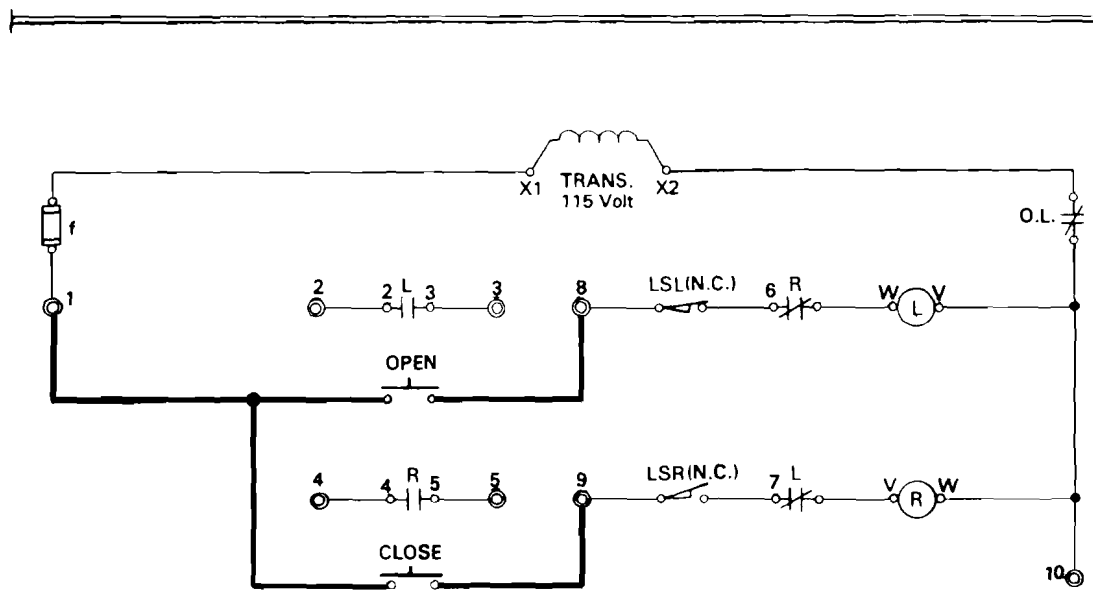
FACTORY WIRING OF #1295 ELECTRIC GATE OPERATOR  
 FOR 208 OR 230 VOLT - 3 PHASE - 60 HZ.  
 POWER SUPPLY







SITE WIRING



Wiring is shown for gate movement to the left to open. If gate moves to the right, wire the open button between operator terminals #1 and #9, and wire the close button between operator terminals #1 and #8.

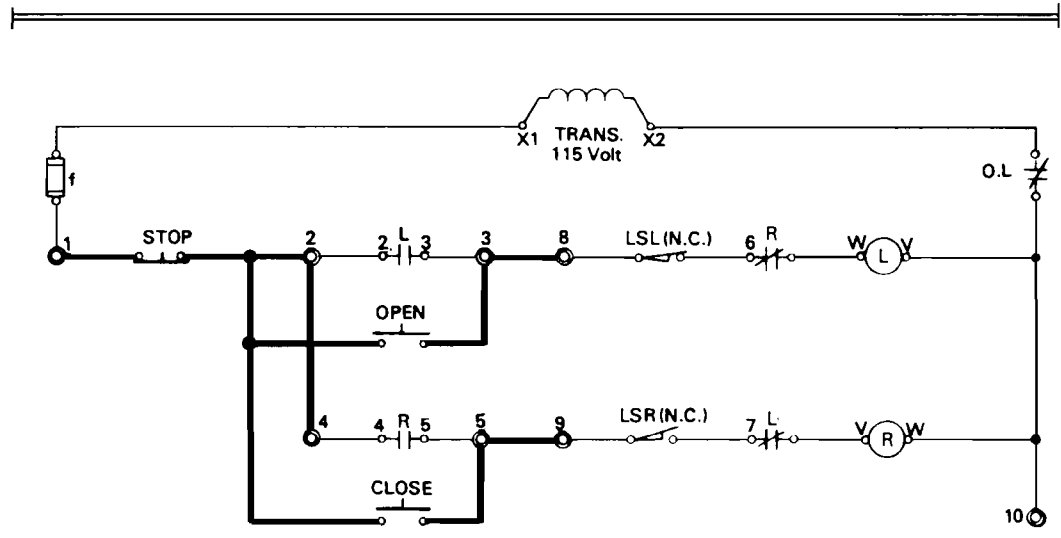
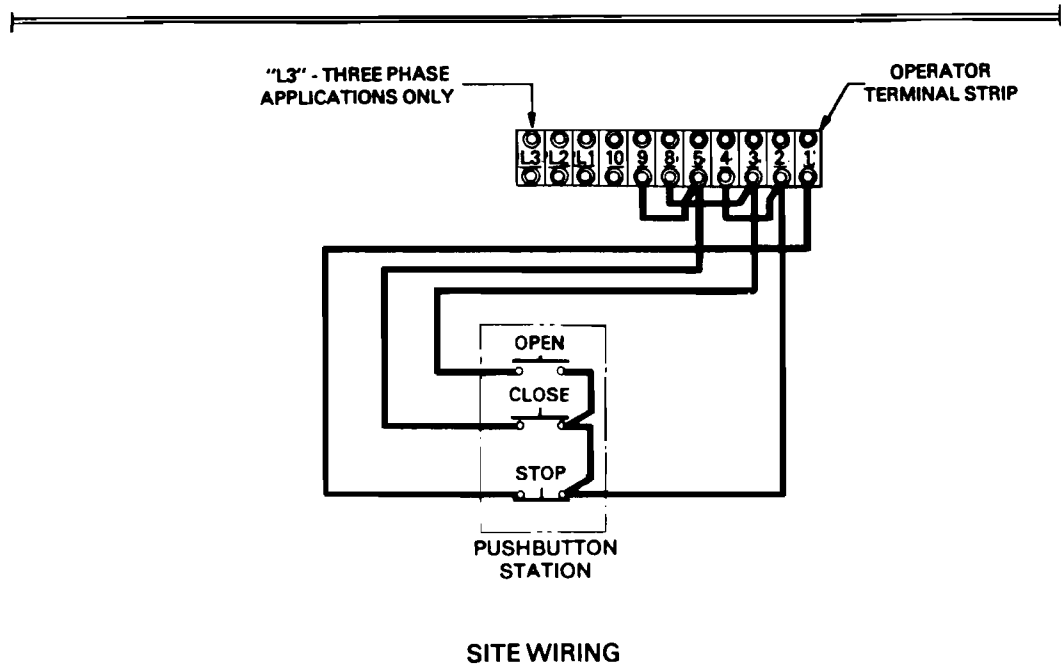
CONTROL WIRING

WIRING DIAGRAMS FOR "OPEN" - "CLOSE" PUSHBUTTON CONTROL OF OPERATOR R-W CLASS "A" WIRING CIRCUIT

WIRING CODE  
 Heavy Lines — Site Wiring  
 Lighter Lines — Factory Wiring

Additional control stations may be applied to this control circuit by wiring them in parallel with the pushbutton station shown.



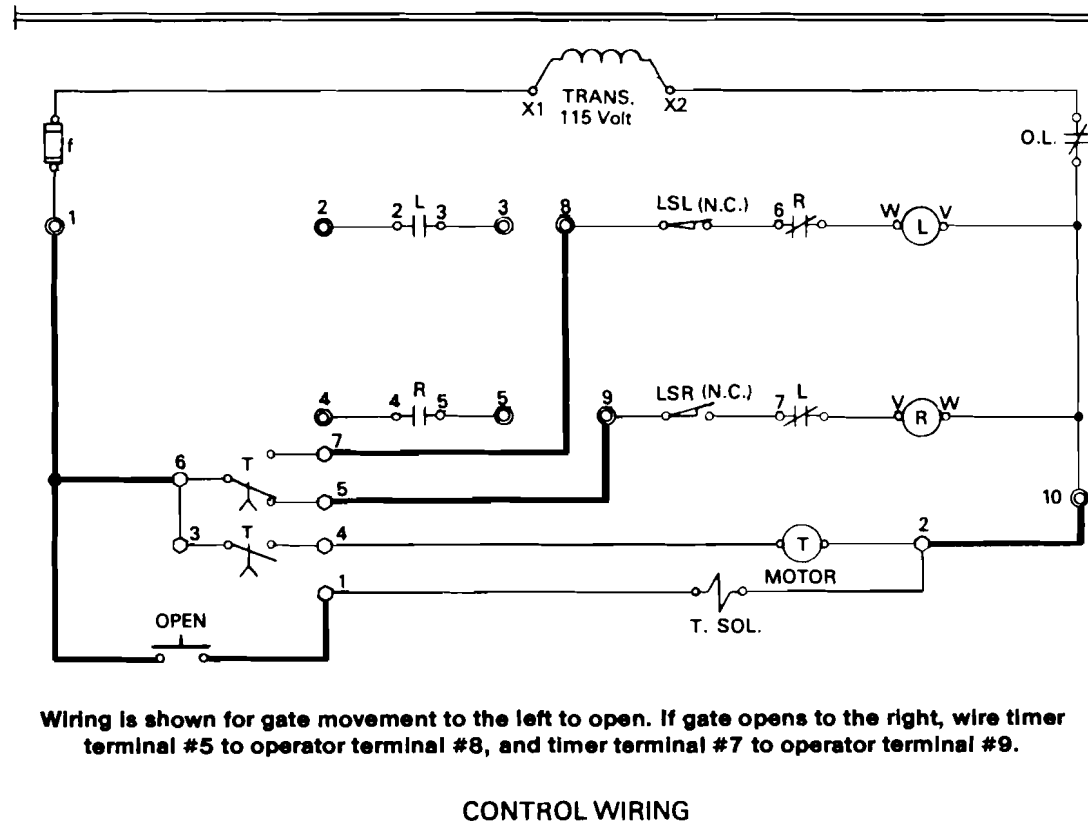
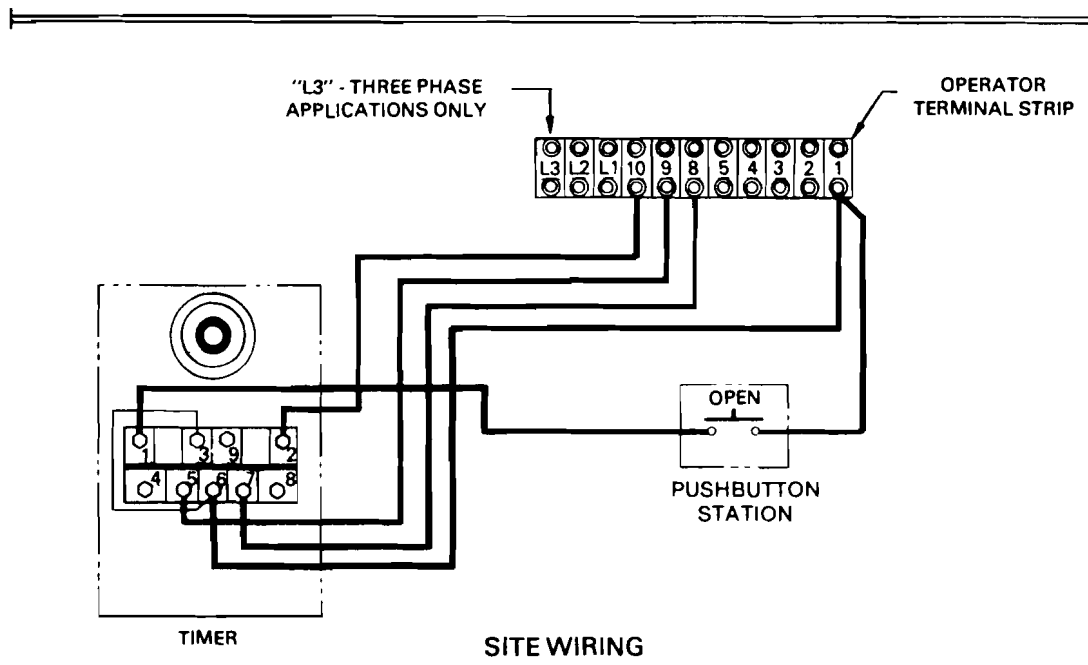


Wiring is shown for gate movement to the left to open. If gate opens to the right, wire the open button between operator terminals #2 and #9, and the close button between operator terminals #2 and #8.

**WIRING DIAGRAMS FOR "OPEN" - "CLOSE" - "STOP" PUSHBUTTON  
CONTROL OF OPERATOR  
R-W CLASS "B" WIRING CIRCUIT**

**WIRING CODE**  
Heavy Lines — Site Wiring  
Lighter Lines — Factory Wiring

Additional control stations may be applied to this control circuit by wiring the "Stop" contacts of all stations in series with the "Stop" pushbutton shown. Wire "Open" and "Close" contacts in parallel with "Open" and "Close" push button shown. Note that all "Stop contacts" must be wired in series in the wire from terminal number 1 prior to supplying "Open" or "Close" contacts.

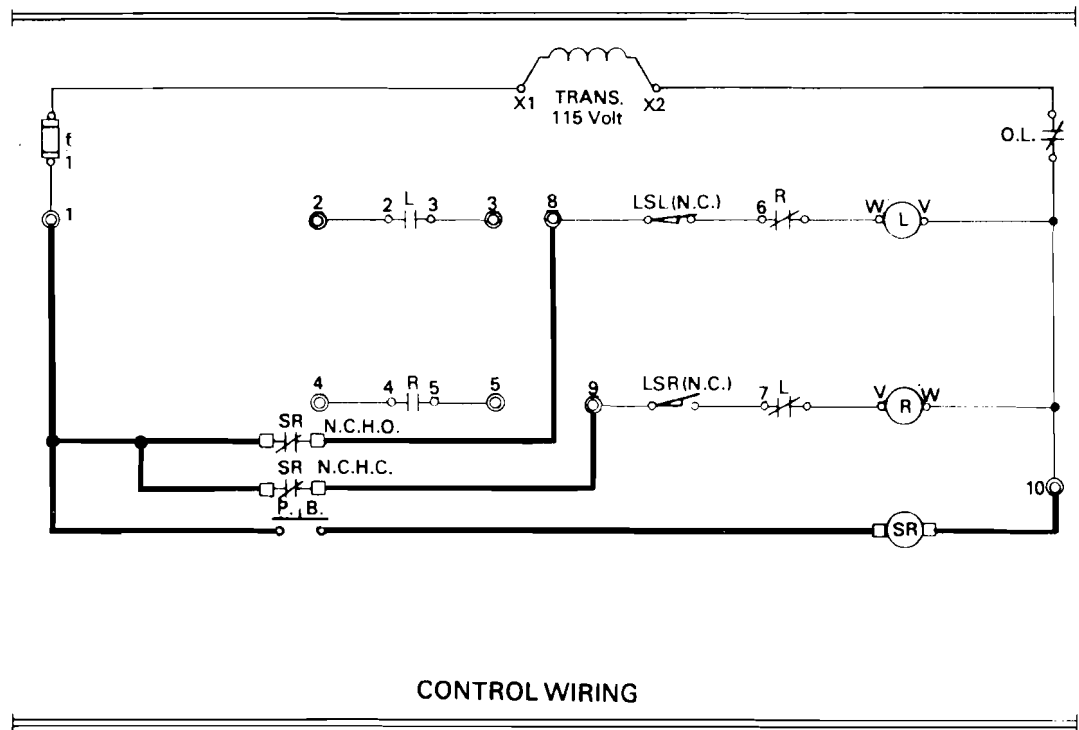
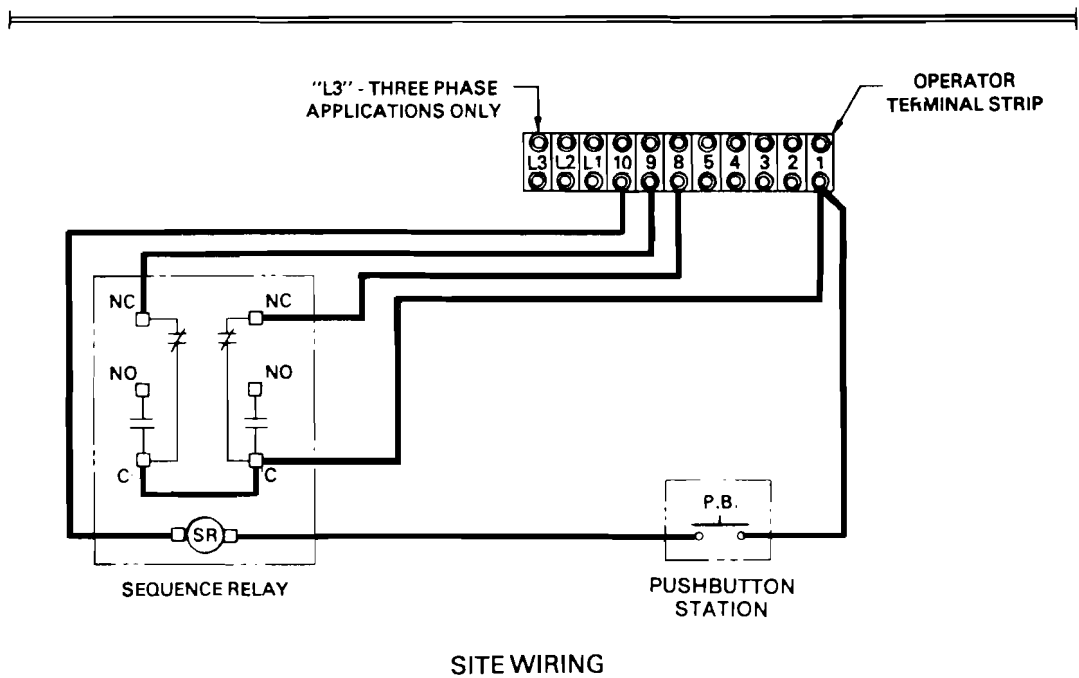


Wiring is shown for gate movement to the left to open. If gate opens to the right, wire timer terminal #5 to operator terminal #8, and timer terminal #7 to operator terminal #9.

**WIRING DIAGRAMS FOR MOMENTARY IMPULSE - TIMER CONTROL OF OPERATOR R-W CLASS "C" WIRING CIRCUIT**

**WIRING CODE**  
 Heavy Lines — Site Wiring  
 Lighter Lines — Factory Wiring

Additional single impulse devices may be applied to this control circuit by wiring their control contacts in parallel with the pushbutton contact shown.



WIRING DIAGRAMS FOR MOMENTARY IMPULSE - SEQUENCE RELAY CONTROL OF OPERATOR R-W CLASS "D" WIRING CIRCUIT

WIRING CODE  
 Heavy Lines — Site Wiring  
 Lighter Lines — Factory Wiring

Additional single impulse devices may be applied to this control circuit by wiring their control contacts in parallel with the pushbutton contact shown.

# MAINTENANCE INFORMATION

(To Be Filled Out By User)

Operator Serial Number 1295 \_\_\_\_\_ H.P. \_\_\_\_\_

Supplied on CIO Order Number \_\_\_\_\_

Power Supply \_\_\_\_\_ Volts \_\_\_\_\_ Hz \_\_\_\_\_ Phase \_\_\_\_\_

Installed At: \_\_\_\_\_ Date: \_\_\_\_\_

Notes: \_\_\_\_\_

\_\_\_\_\_

\_\_\_\_\_

\_\_\_\_\_

\_\_\_\_\_

## GUARANTEE

*If, within a period of one year from date of shipment, any part of a CIO Electric "Aut-o-doR" Operator is found defective due to poor materials or workmanship, new parts will be furnished free of charge F.O.B. manufacturer's plant, providing the equipment has been given normal and proper usage, lubrication, and maintenance and is still the property of the original purchaser and/or part of the original installation. THIS WARRANTY IS GIVEN IN LIEU OF ALL OTHER WARRANTIES, EXPRESS OR IMPLIED, AND THE MANUFACTURER MAKES NO IMPLIED WARRANTY OF MERCHANTABILITY BEYOND THE EXPRESS TERMS HEREOF. MANUFACTURER'S LIABILITY FOR DAMAGES, INCLUDING CONSEQUENTIAL DAMAGES, RESULTING FROM ANY SUCH DEFECTIVE PRODUCT IS STRICTLY LIMITED TO THE DELIVERY OF NEW PARTS, AS SET FORTH ABOVE.*



213 Michelle Court  
South San Francisco, CA 94080  
Phone (650) 952-5150 Fax (650)873-1495