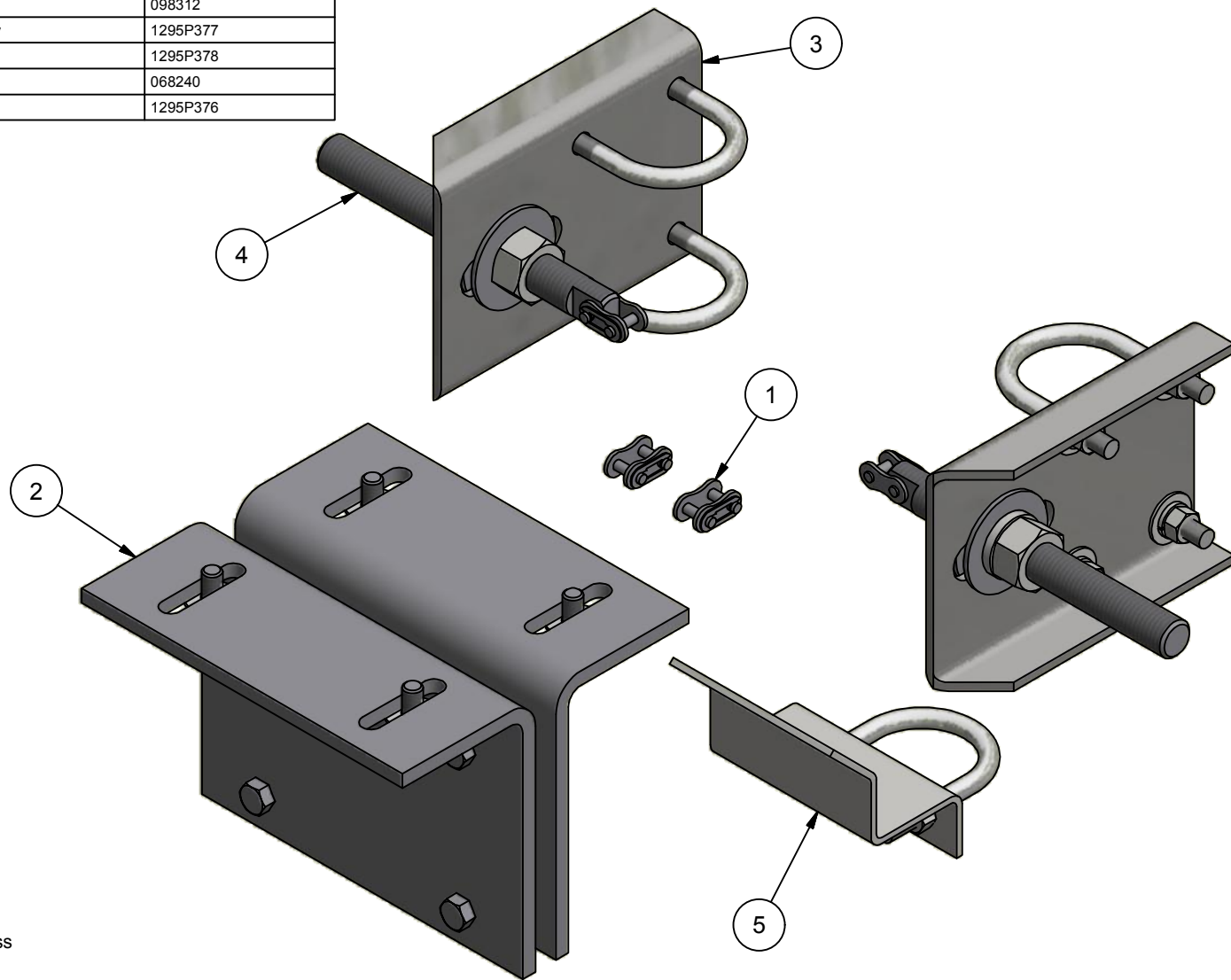


Parts List				
ITEM	QTY	ID #	DESCRIPTION	STOCK PART #
1	2	098312	Connecting Link, #52 Chain	098312
2	1	1295P377	Operator to Column Support Assembly	1295P377
3	2	1295P378	Chain Bracket w. U Bolt	1295P378
4	2	1295P366	Chain Adjustment Screw Assembly	068240
5	1	1295P376	Chain Guide Bracket Assembly	1295P376



For Safety Edge: See #1295-SEW  
7' Tall Gate Safety Edge Package, Wireless

Notes:

- For gates 24'-0" to 34'-0" wide, requires (1 ea.) additional #1295P376 Chain Guide Bracket Assembly.
- For gates 34'-0" to 50'-0" wide, requires (2 ea.) additional #1295P376 Chain Guide Bracket Assembly.
- #096845 #52 Roller Chain Length Required: **Width of the Gate + 2'-0"**.

ALL DIMENSIONS IN INCHES

THE INFORMATION CONTAINED IN THIS DRAWING IS THE SOLE PROPERTY OF CROWN INDUSTRIAL. ANY REPRODUCTION IN PART OR AS A WHOLE WITHOUT THE WRITTEN PERMISSION OF CROWN INDUSTRIAL IS PROHIBITED.	ID #:	1295P371	STOCK PART #:	1295-GATEACC
	MATERIAL:			
DESCRIPTION: 1295 Gate Accessory Package				
FINISH:	HDG	# PCS:	1	REV:



**CROWN INDUSTRIAL**  
So. San Francisco, Ca  
(650) 952-5150  
www.crown-industrial.com

DWG #: 1295P371  
DRAWN: BCM 10/20/2017  
SHEET #1

File: 1295P371.idw