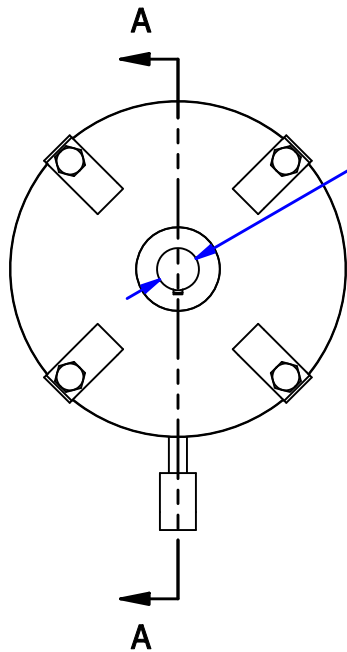
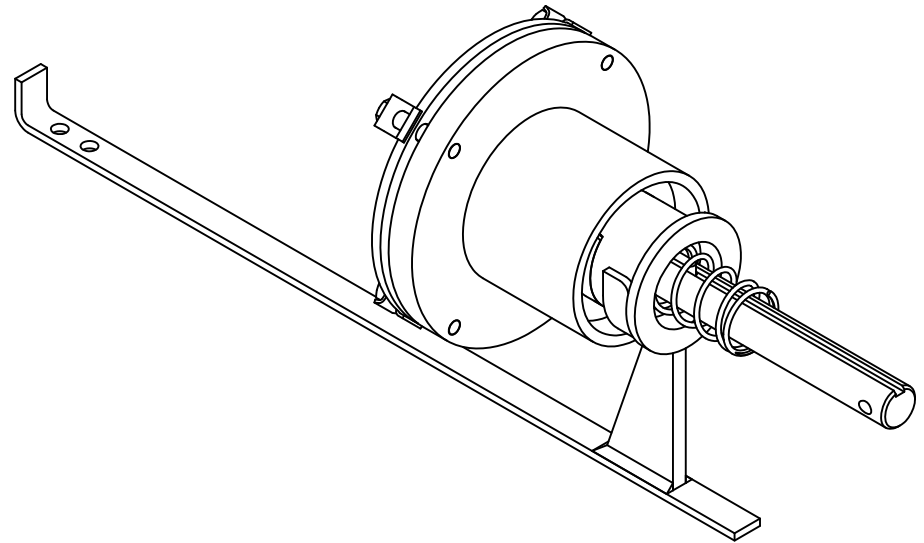


Parts List				
ITEM	QTY	ID #	DESCRIPTION	STOCK PART #
1	1	1295P190	Clutch Assembly, 7/8" Shaft, 1/2 HP	068590
2	1	1295P41	Sliding Clutch	068391
3	1	1295P52	Release Arm Weldment	068450
4	1	1295P51	Shaft Extension	1295.00324
5	1	1295P42	Release Spring	068400
6	1	1295P64	1/4 x 3/8 Key	068006



Ø7/8 Input Shaft From Gear Reducer



SECTION A-A
SCALE 1:4

ALL DIMENSIONS IN INCHES

THE INFORMATION CONTAINED IN THIS DRAWING IS THE SOLE PROPERTY OF CROWN INDUSTRIAL. ANY REPRODUCTION IN PART OR AS A WHOLE WITHOUT THE WRITTEN PERMISSION OF CROWN INDUSTRIAL IS PROHIBITED.

DESCRIPTION:

Clutch Detail for 7/8" Shaft, 1/2 HP (1295P190)

FINISH:

ID #: 1295P399-01

STOCK PART #:

MATERIAL:

PCS. REV:



CROWN INDUSTRIAL

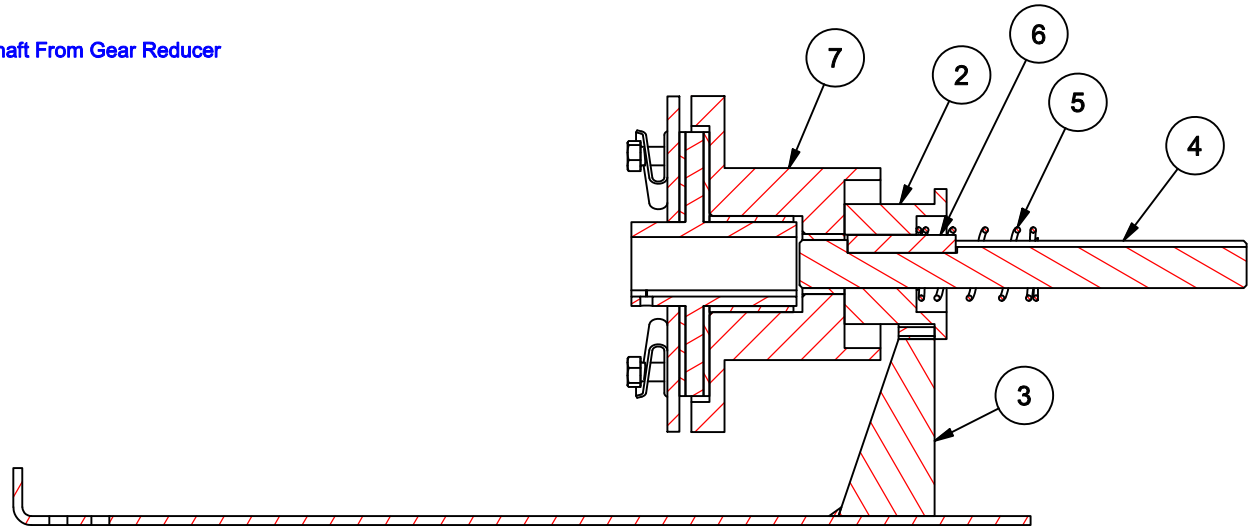
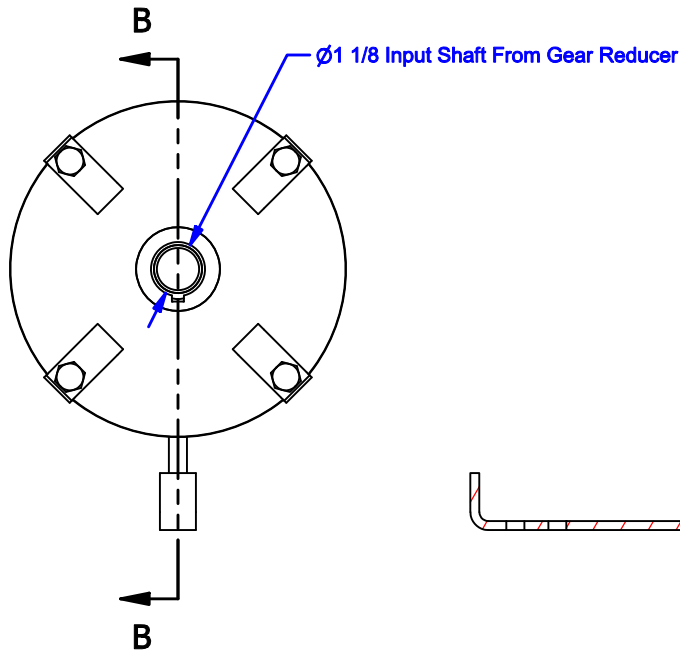
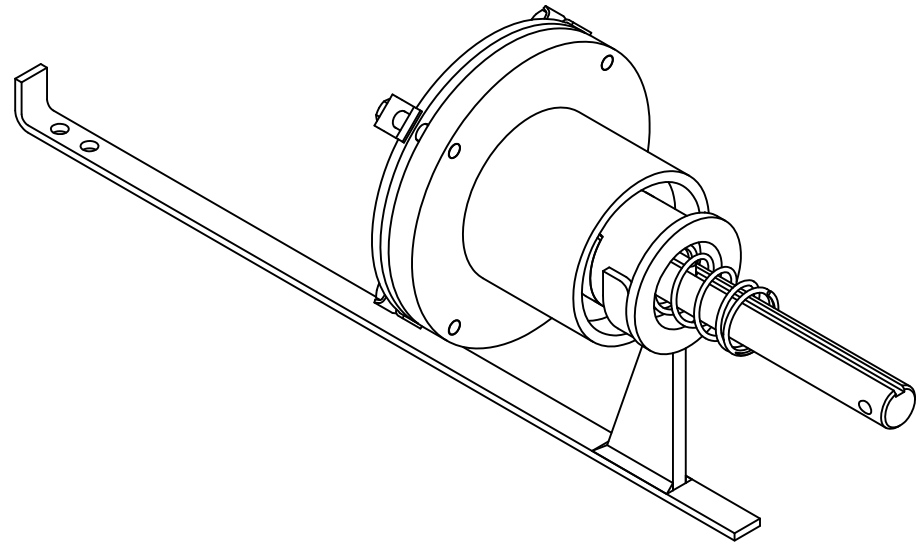
So. San Francisco, Ca
(650) 952-5150

www.crown-industrial.com

DWG #: 1295-Replacement Parts
DRAWN:BCM 1/10/2020
SHEET #1

File: 1295-ReplacementParts.Idw

Parts List				
ITEM	QTY	ID #	DESCRIPTION	STOCK PART #
1	1	1295P190	Clutch Assembly, 7/8" Shaft, 1/2 HP	068590
2	1	1295P41	Sliding Clutch	068391
3	1	1295P52	Release Arm Weldment	068450
4	1	1295P51	Shaft Extension	1295.00324
5	1	1295P42	Release Spring	068400
6	1	1295P64	1/4 x 3/8 Key	068006



SECTION B-B
SCALE 1:4

ALL DIMENSIONS IN INCHES

THE INFORMATION CONTAINED IN THIS DRAWING IS THE SOLE PROPERTY OF CROWN INDUSTRIAL. ANY REPRODUCTION IN PART OR AS A WHOLE WITHOUT THE WRITTEN PERMISSION OF CROWN INDUSTRIAL IS PROHIBITED.

DESCRIPTION:

Clutch Detail for 1-1/8" Shaft, 1 HP (1295P91)

FINISH:

ID #: 1295P399-02

STOCK PART #:

MATERIAL:

PCS. REV:

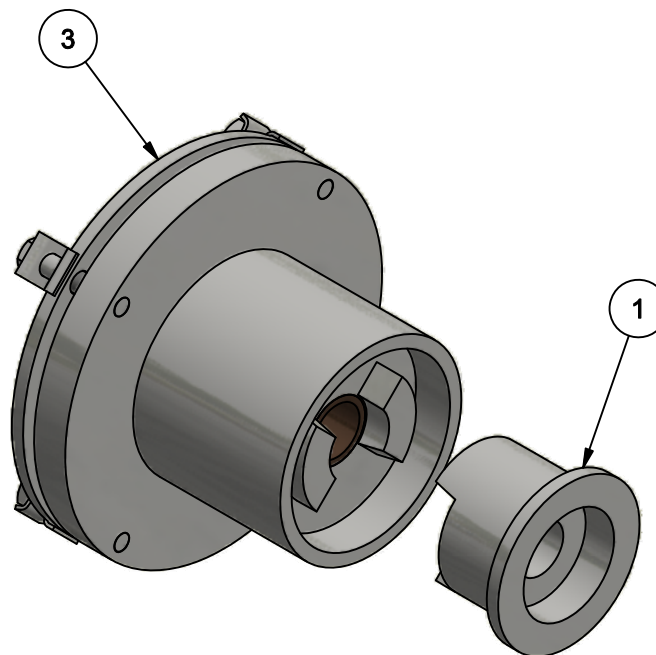
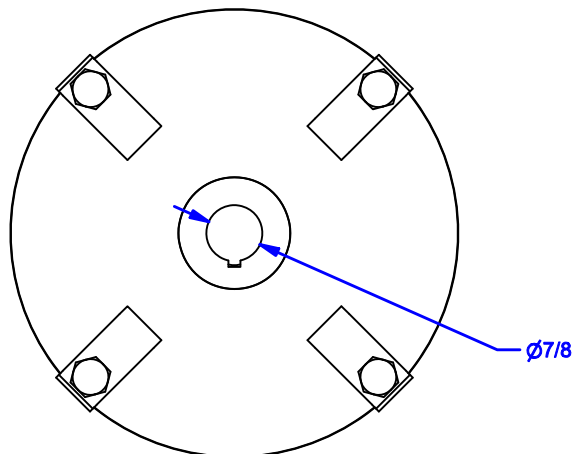


CROWN INDUSTRIAL

So. San Francisco, Ca
(650) 952-5150

www.crown-industrial.com

Parts List				
ITEM	QTY	ID #	DESCRIPTION	STOCK PART #
1	1	1295P41	Sliding Clutch	068391
3	1	1295P190	Clutch Assembly, 7/8" Shaft, 1/2 HP	068590



ALL DIMENSIONS IN INCHES

THE INFORMATION CONTAINED IN THIS DRAWING IS THE SOLE PROPERTY OF CROWN INDUSTRIAL. ANY REPRODUCTION IN PART OR AS A WHOLE WITHOUT THE WRITTEN PERMISSION OF CROWN INDUSTRIAL IS PROHIBITED.

ID #: 1295P398-01

STOCK PART #: 068590-068391

MATERIAL:

DESCRIPTION:

Replacement Clutch Assembly 7/8" Shaft, 1/2 HP (1295P190)

FINISH:

PCS. REV:



CROWN INDUSTRIAL

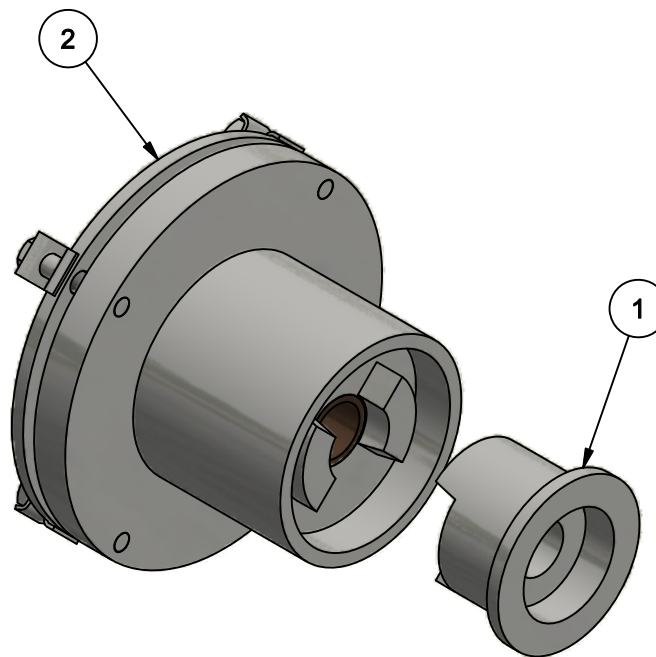
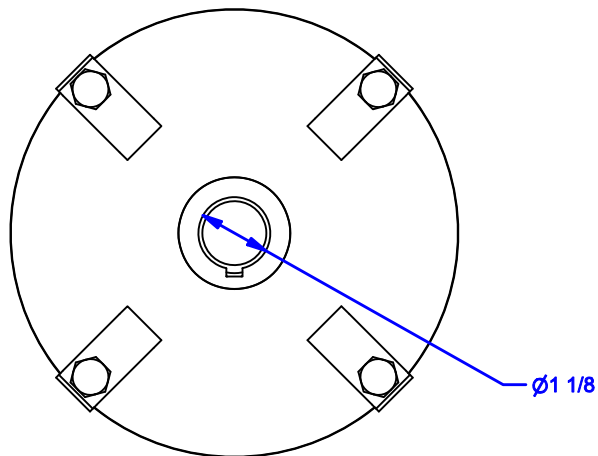
So. San Francisco, Ca
(650) 952-5150

www.crown-industrial.com

DWG #: 1295-Replacement Parts
DRAWN:BCM 1/10/2020
SHEET #3

File: 1295-ReplacementParts.Idw

Parts List				
ITEM	QTY	ID #	DESCRIPTION	STOCK PART #
1	1	1295P41	Sliding Clutch	068391
3	1	1295P190	Clutch Assembly, 7/8" Shaft, 1/2 HP	068590



ALL DIMENSIONS IN INCHES

THE INFORMATION CONTAINED IN THIS DRAWING IS THE SOLE PROPERTY OF CROWN INDUSTRIAL. ANY REPRODUCTION IN PART OR AS A WHOLE WITHOUT THE WRITTEN PERMISSION OF CROWN INDUSTRIAL IS PROHIBITED.

DESCRIPTION:

Replacement Clutch Assembly 1-1/8" Shaft, 1 HP (1295P91)

FINISH:

ID #: 1295P398-02

MATERIAL:

STOCK PART #: 068269-068391

PCS. REV:



CROWN INDUSTRIAL

So. San Francisco, Ca
(650) 952-5150

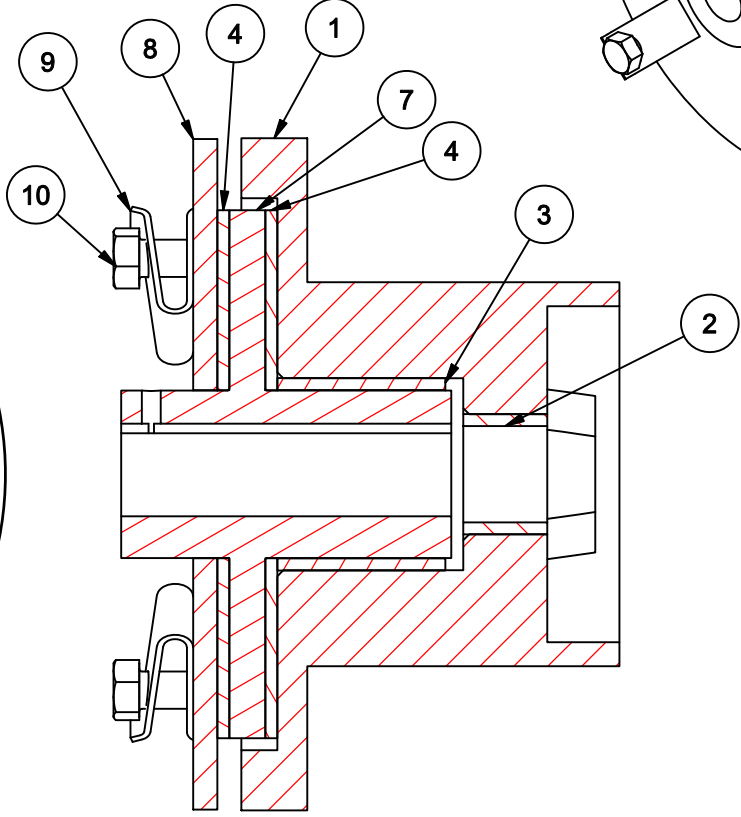
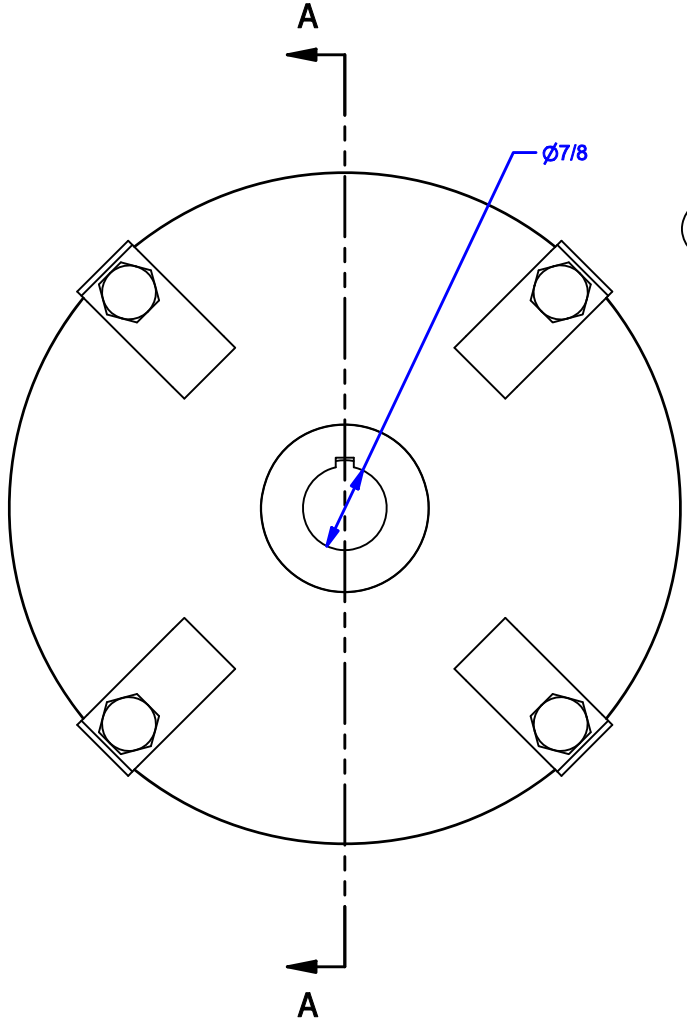
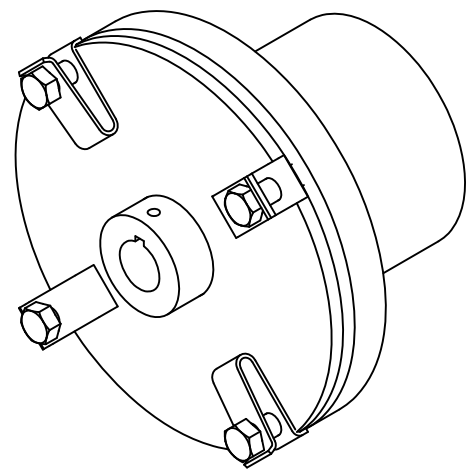
www.crown-industrial.com

DWG #: 1295-Replacement Parts
DRAWN:BCM 1/10/2020
SHEET #4

File: 1295-ReplacementParts.Idw

4 3 2 1

Parts List				
ITEM	QTY	ID #	DESCRIPTION	STOCK PART #
1	1	1295P53	Clutch Drum	068459
2	1	1295P43	1" id x 1-1/4"od x 7/8" Bronze Bushing	068410
3	1	1250P138	1-3/4" x 2" x 1-3/4" Bronze Bushing	065290
4	2	1265P6	1265 1/2 hp Clutch Disc	067020
7	1	1295P191	Driver Disc for 1/2" HP Unit	068419
8	1	1265P7	Outer Clutch Plate	067030
9	4	1265P20	Clutch Spring	067090
10	4	HHMB 3/8-24 UNF - 1.75 Zinc -5	Hex Head Machine Bolt -Grade 5, Zinc	



SECTION A-A
SCALE 1:2

ALL DIMENSIONS IN INCHES		ID #:	STOCK PART #:
THE INFORMATION CONTAINED IN THIS DRAWING IS THE SOLE PROPERTY OF CROWN INDUSTRIAL. ANY REPRODUCTION IN PART OR AS A WHOLE WITHOUT THE WRITTEN PERMISSION OF CROWN INDUSTRIAL IS PROHIBITED.		1295P190	068590
DESCRIPTION:		MATERIAL:	
Clutch Assembly, 7/8" Shaft, 1/2 HP			
FINISH:	# PCS:	REV:	
	1		



CROWN INDUSTRIAL
So. San Francisco, Ca
(650) 952-5150
www.crown-industrial.com

DWG #: 1295-Replacement Parts
DRAWN:BCM 5/23/2014
SHEET #5
File: 1295-ReplacementParts.Idw

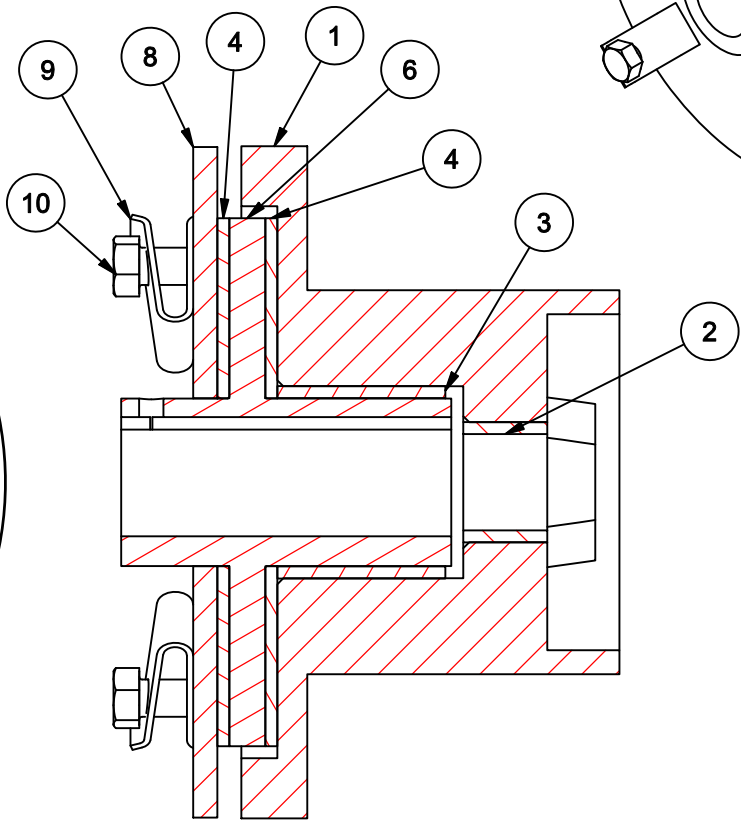
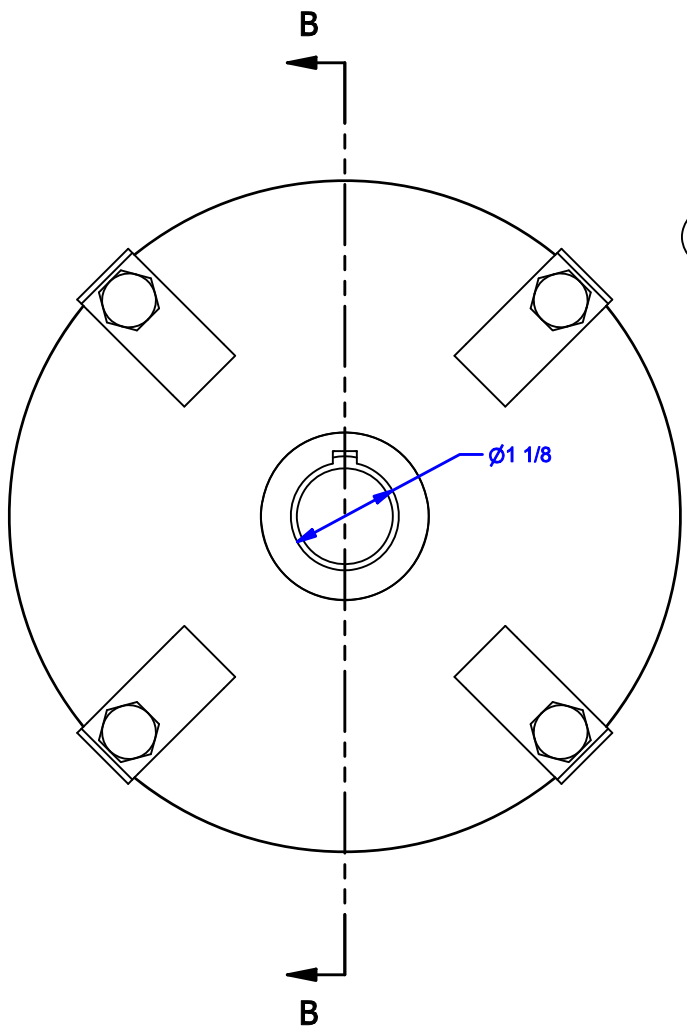
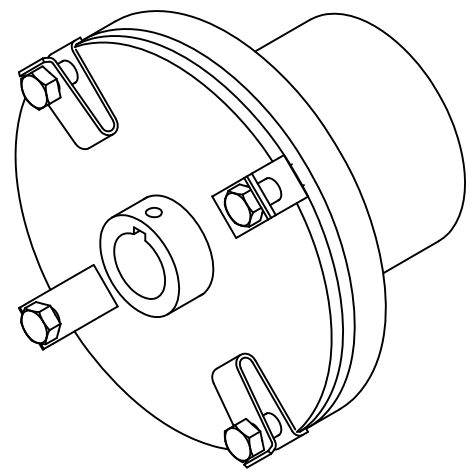
D
C
B
A

D
C
B
A

4 3 2 1

4 3 2 1

Parts List				
ITEM	QTY	ID #	DESCRIPTION	STOCK PART #
1	1	1295P53	Clutch Drum	068459
2	1	1295P43	1" id x 1-1/4"od x 7/8" Bronze Bushing	068410
3	1	1250P138	1-3/4" x 2" x 1-3/4" Bronze Bushing	065290
4	2	1265P6	1265 1/2 hp Clutch Disc	067020
7	1	1295P191	Driver Disc for 1/2" HP Unit	068419
8	1	1265P7	Outer Clutch Plate	067030
9	4	1265P20	Clutch Spring	067090
10	4	HHMB 3/8-24 UNF - 1.75 Zinc -5	Hex Head Machine Bolt -Grade 5, Zinc	



SECTION B-B
SCALE 1:2

ALL DIMENSIONS IN INCHES		
THE INFORMATION CONTAINED IN THIS DRAWING IS THE SOLE PROPERTY OF CROWN INDUSTRIAL. ANY REPRODUCTION IN PART OR AS A WHOLE WITHOUT THE WRITTEN PERMISSION OF CROWN INDUSTRIAL IS PROHIBITED.	ID #:	STOCK PART #:
	1295P91	068269
DESCRIPTION:	MATERIAL:	
Clutch Assembly, 1-1/8" Shaft, 1 HP		
FINISH:	# PCS:	REV:
	1	



CROWN INDUSTRIAL
So. San Francisco, Ca
(650) 952-5150
www.crown-industrial.com

DWG #: 1295-Replacement Parts
DRAWN:BCM 5/23/2014
SHEET #6
File: 1295-ReplacementParts.Idw

D
C
B
A

D
C
B
A

4 3 2 1