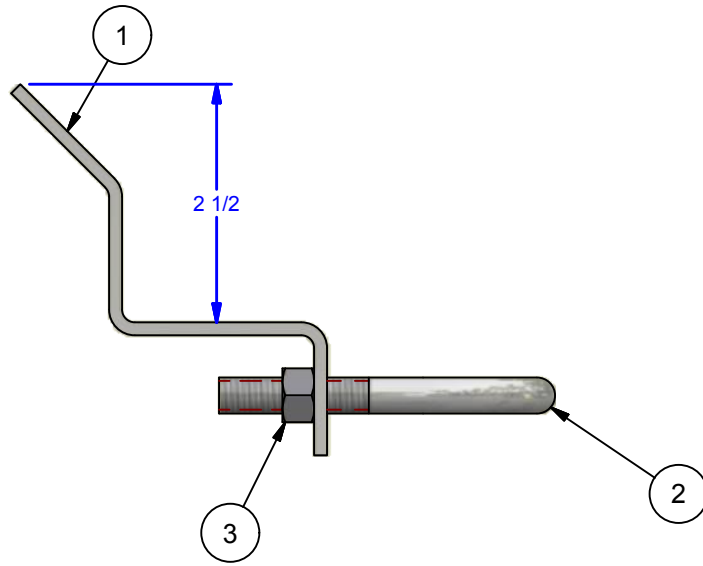
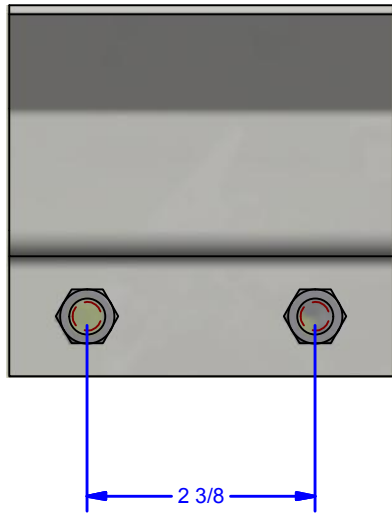
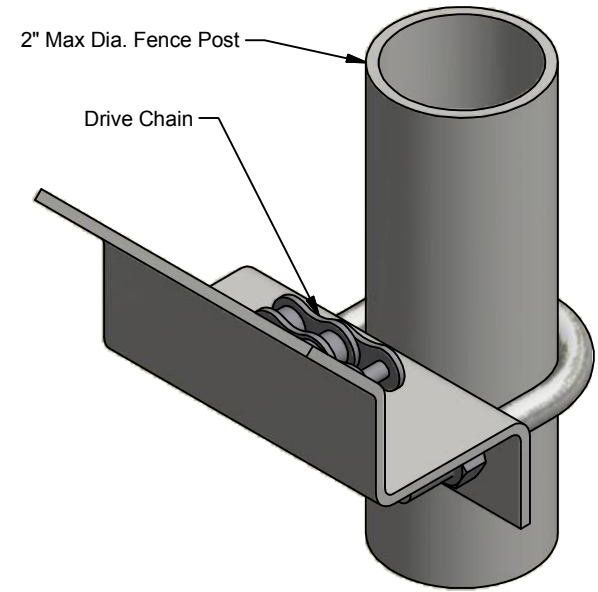


Parts List				
ITEM	QTY	ID #	DESCRIPTION	STOCK PART #
1	1	1295P156	Chain Guide Bracket	068564
2	1	1295P168	U-BOLT, 3/8"-16	068575
3	2	HN 3/8 - 16 Zinc-5	Hex Nut - Grade 5, Zinc	



**ALL DIMENSIONS IN INCHES**

THE INFORMATION CONTAINED IN THIS DRAWING IS THE SOLE PROPERTY OF CROWN INDUSTRIAL. ANY REPRODUCTION IN PART OR AS A WHOLE WITHOUT THE WRITTEN PERMISSION OF CROWN INDUSTRIAL IS PROHIBITED.	ID #:	1295P376	STOCK PART #:	1295P376
	MATERIAL:			
DESCRIPTION: Chain Guide Bracket Assembly				
FINISH:	HDG	# PCS:	1	REV:



**CROWN INDUSTRIAL**  
So. San Francisco, Ca  
(650) 952-5150  
www.crown-industrial.com

DWG #: 1295P371  
DRAWN: BCM 10/24/2017  
SHEET #3  
File: 1295P371.idw