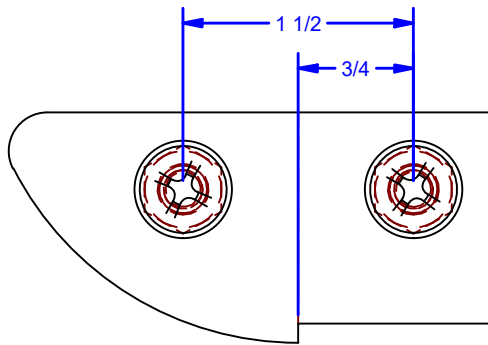
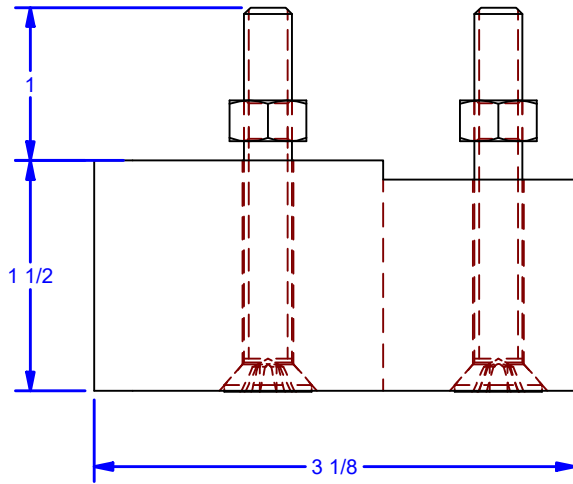
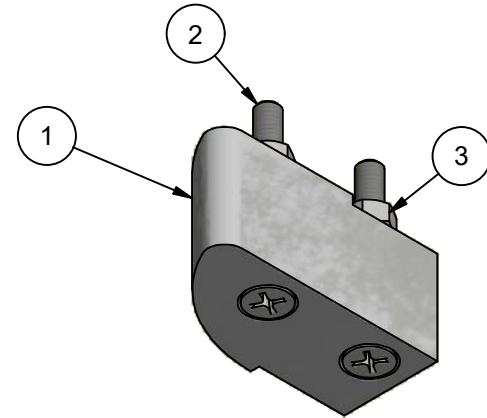


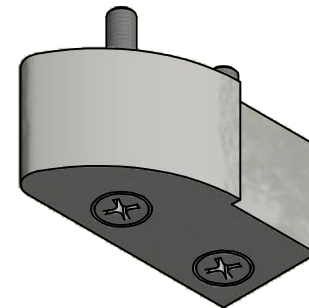
Parts List				
ITEM	QTY	ID #	DESCRIPTION	STOCK PART #
1	1	0002917	135 Bull Nose Guide, RH	135BN-R
2	2	(FHPHMS-FT) 5/16-18 x 2 1/2 Steel, Mild	Flat Head Phillips Machine Screw-Fully Threaded	
3	2	HN 5/16 - 18 Zinc-5	Hex Nut - Grade 5, Zinc	



Bottom View



135BN-R: Right Hand



135BN-L: Left Hand

ALL DIMENSIONS IN INCHES

THE INFORMATION CONTAINED IN THIS DRAWING IS THE SOLE PROPERTY OF CROWN INDUSTRIAL. ANY REPRODUCTION IN PART OR AS A WHOLE WITHOUT THE WRITTEN PERMISSION OF CROWN INDUSTRIAL IS PROHIBITED.	ID #:	0002917	STOCK PART #:	135BN-R
	MATERIAL:	6061 Aluminum		
DESCRIPTION: 135 Bull Nose Guide, RH				
FINISH:		# PCS:	REV:	



CROWN INDUSTRIAL
So. San Francisco, Ca
(650) 952-5150
www.crown-industrial.com