

4

3

2

1

D

D

C

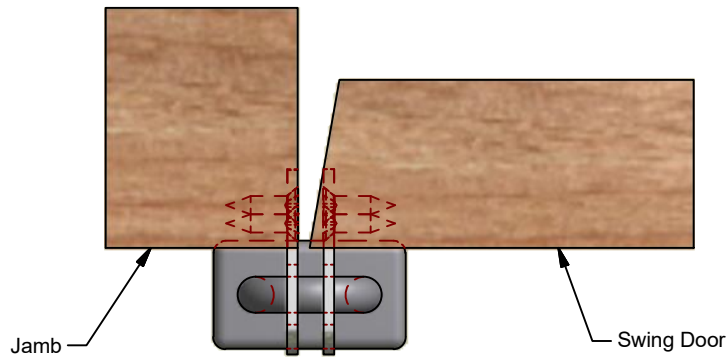
C

B

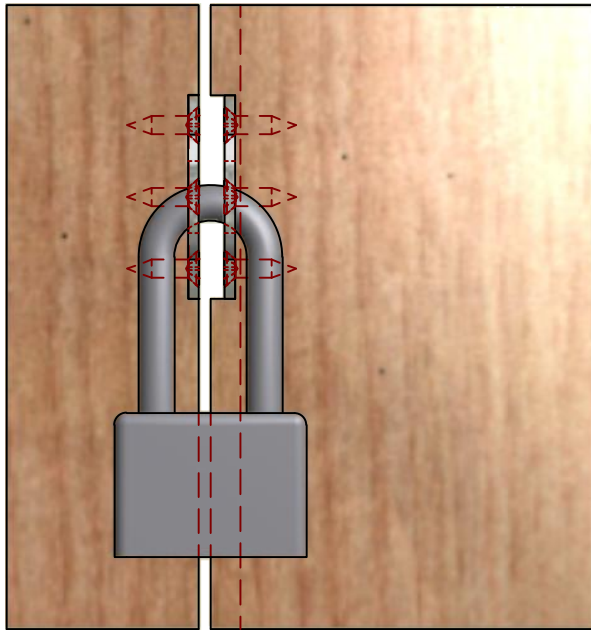
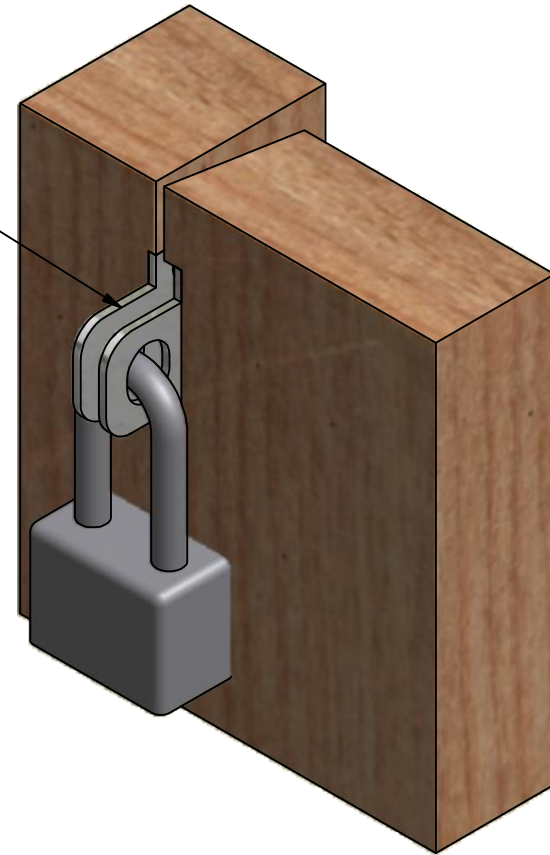
B

A

A



#0139.00003  
Padlock Eye, Straight ptd.



**ALL DIMENSIONS IN INCHES**

THE INFORMATION CONTAINED IN THIS DRAWING IS THE SOLE PROPERTY OF CROWN INDUSTRIAL. ANY REPRODUCTION IN PART OR AS A WHOLE WITHOUT THE WRITTEN PERMISSION OF CROWN INDUSTRIAL IS PROHIBITED.	ID #:	0001927	STOCK PART #:	0139.00003
	MATERIAL:			
DESCRIPTION: Padlock Eye Assembly				
FINISH: Clear Zinc			# PCS:	REV:



**CROWN INDUSTRIAL**

So. San Francisco, Ca  
(650) 952-5150

[www.crown-industrial.com](http://www.crown-industrial.com)

DWG #: 139P3  
DRAWN:BCM 2/26/2015  
SHEET #1

File: 0000836.idw

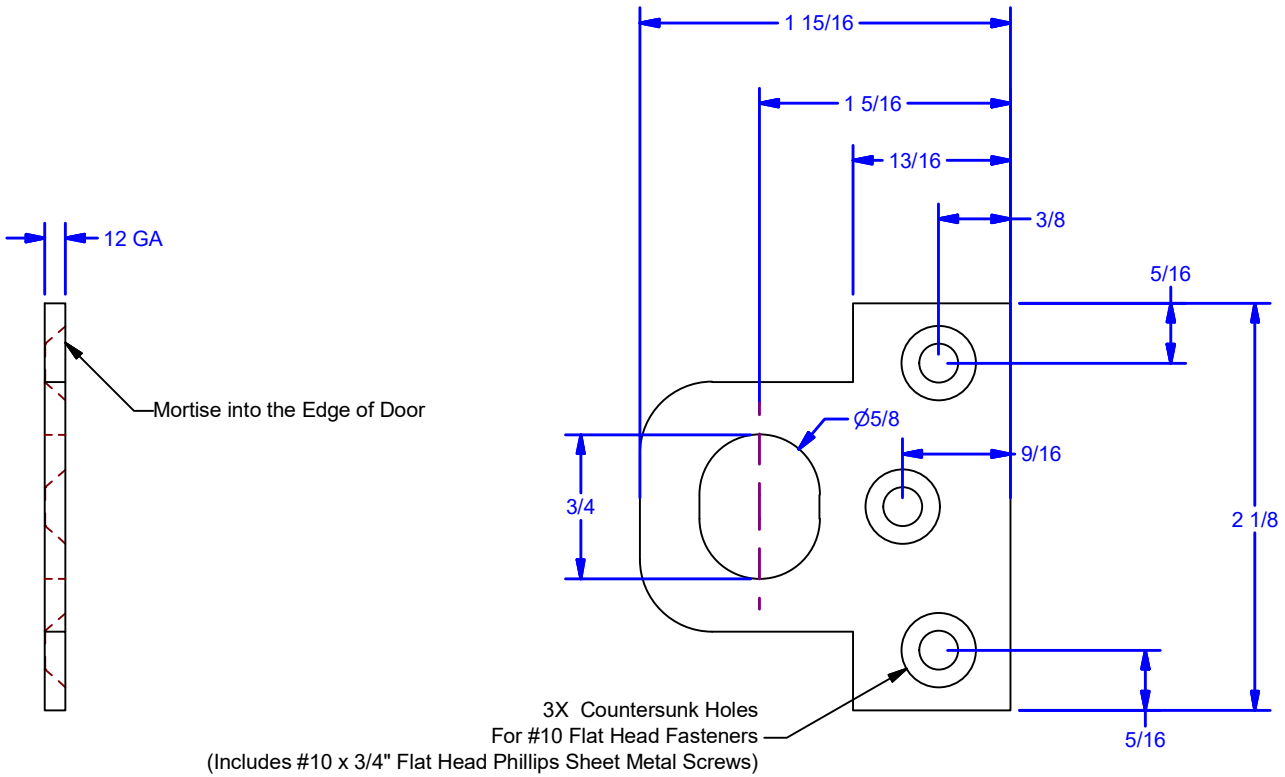
4

3

2

1





Sold as a Set (2 Padlock Eyes w. Fasteners)

ALL DIMENSIONS IN INCHES

THE INFORMATION CONTAINED IN THIS DRAWING IS THE SOLE PROPERTY OF CROWN INDUSTRIAL. ANY REPRODUCTION IN PART OR AS A WHOLE WITHOUT THE WRITTEN PERMISSION OF CROWN INDUSTRIAL IS PROHIBITED.	ID #:	0000836	STOCK PART #:	0139.00003
	MATERIAL:	Steel, Mild		
DESCRIPTION: Padlock Eye, Straight ptd.				
FINISH:	Clear Zinc	# PCS:	REV:	A



**CROWN INDUSTRIAL**

So. San Francisco, Ca  
(650) 952-5150

www.crown-industrial.com

DWG #: 139P3  
DRAWN: BCM 7/19/2010  
SHEET #2

File: 0000836.idw