

4

3

2

1

D

D

C

C

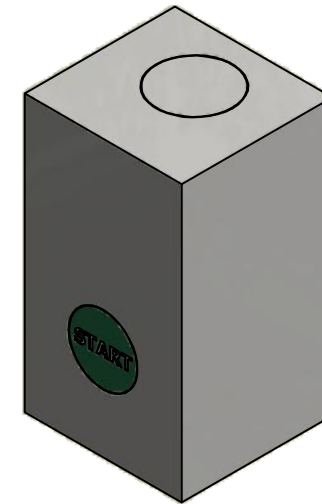
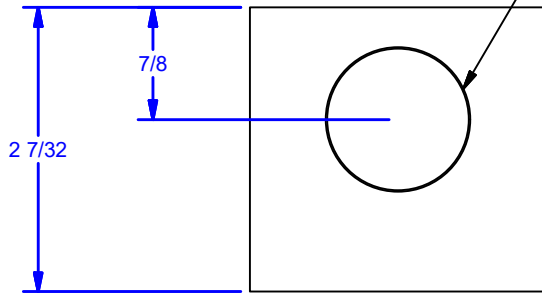
B

B

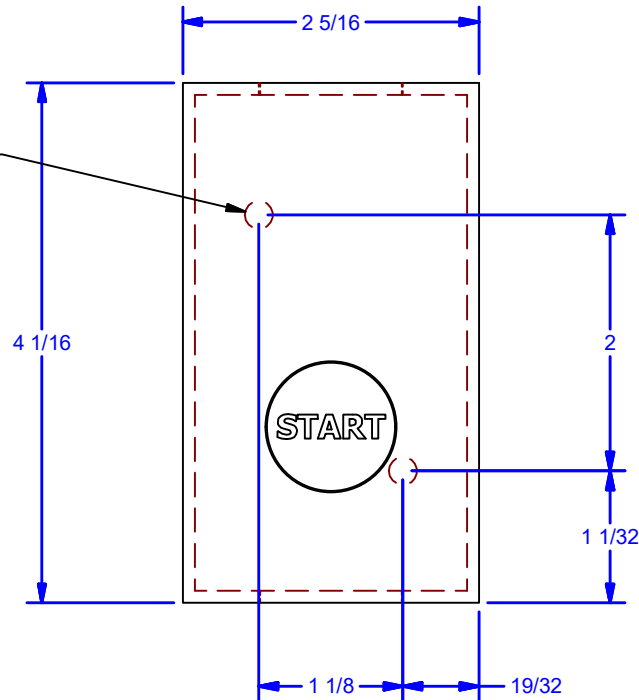
A

A

Knockouts for 1/2 & 3/4 Conduits, Top & Bottom



2X Ø7/32 Hole
For #10 Oval Head Machine Screw



ALL DIMENSIONS IN INCHES

THE INFORMATION CONTAINED IN THIS DRAWING IS THE SOLE PROPERTY OF CROWN INDUSTRIAL. ANY REPRODUCTION IN PART OR AS A WHOLE WITHOUT THE WRITTEN PERMISSION OF CROWN INDUSTRIAL IS PROHIBITED.	ID #: 90000134	STOCK PART #: 1500-1SB
	MATERIAL: Steel, Mild	
DESCRIPTION: Momentary Press Start Push Button Station Nema 1		
FINISH:	# PCS: 1	REV:



CROWN INDUSTRIAL

So. San Francisco, Ca
(650) 952-5150

www.crown-industrial.com

DWG #: 0002283
DRAWN:BCM 9/19/2017
SHEET #13

File: 0002283.idw

4

3

2

1

