

4

3



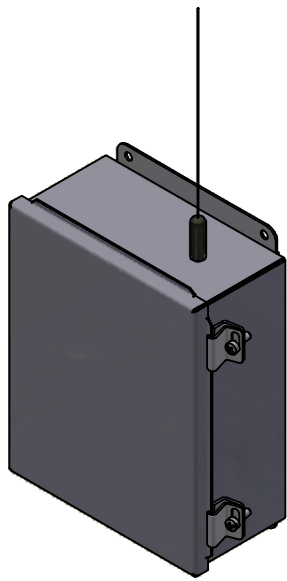
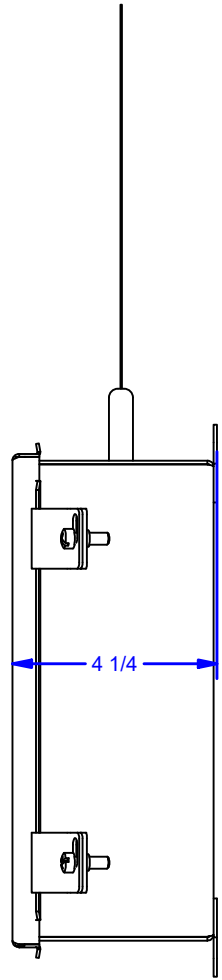
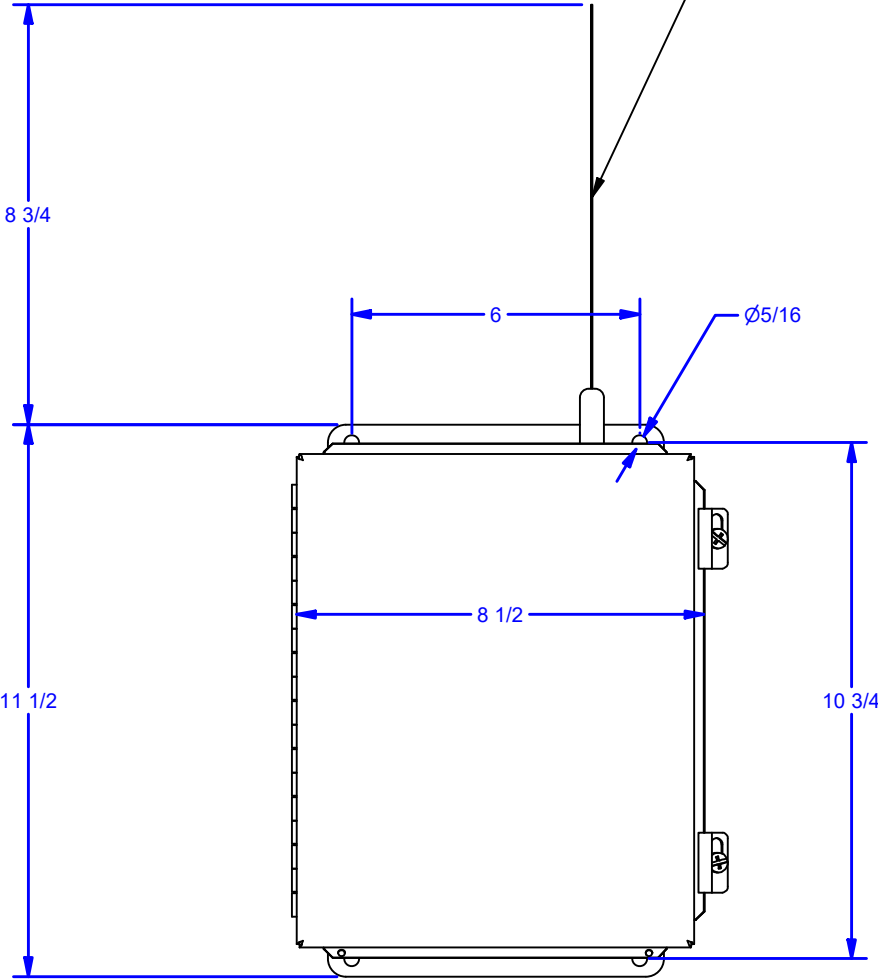
2

1

D

D

Antenna can be located in any direction on box.  
(Indicate if different than what is shown)  
\*Note: #1500.00646 Antenna Range Extension Kit Available



C

C



B

B

A

A

DWG #: 0002910  
DRAWN:BCM 6/3/2022  
SHEET #1  
File: 0002910.idw

ALL DIMENSIONS IN INCHES

THE INFORMATION CONTAINED IN THIS DRAWING IS THE SOLE PROPERTY OF CROWN INDUSTRIAL. ANY REPRODUCTION IN PART OR AS A WHOLE WITHOUT THE WRITTEN PERMISSION OF CROWN INDUSTRIAL IS PROHIBITED.	ID #:	0003187	STOCK PART #:	1505-R1
	MATERIAL:			
DESCRIPTION: Single Button Radio Control System, Nema 4				
FINISH: Powder Coat Grey			# PCS:	REV:



**CROWN INDUSTRIAL**  
So. San Francisco, Ca  
(650) 952-5150  
www.crown-industrial.com

4

3



2

1