

4

3

2

1

D

D

C

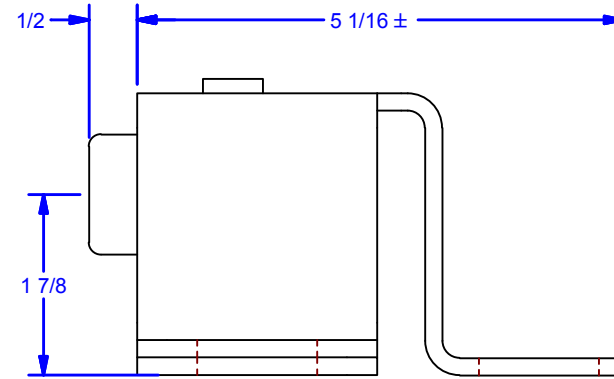
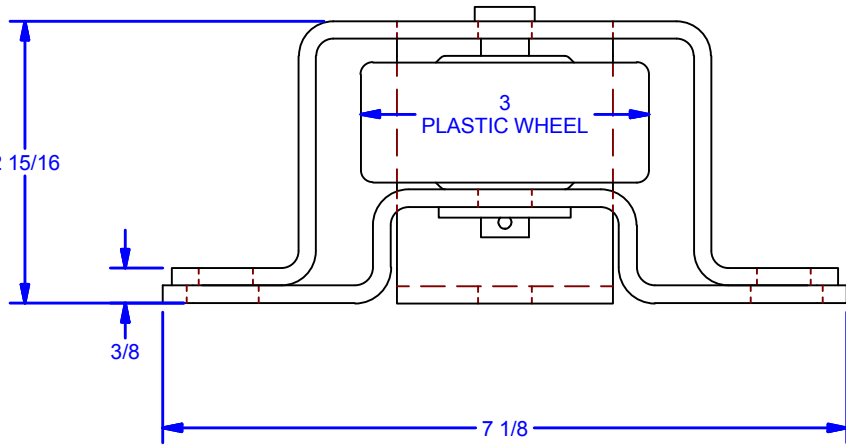
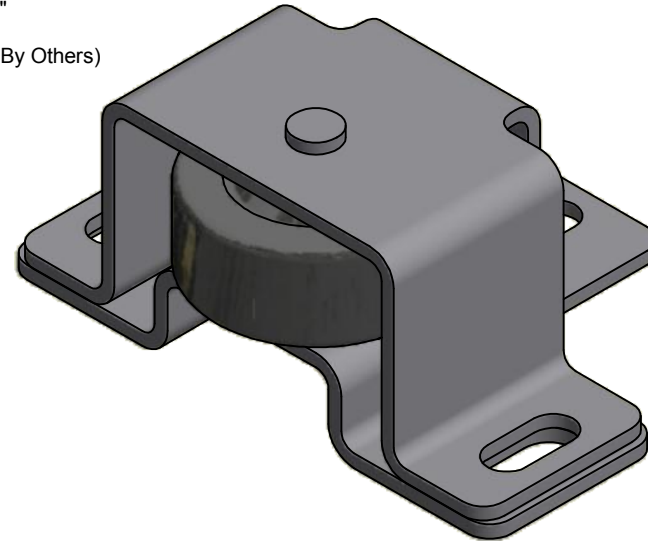
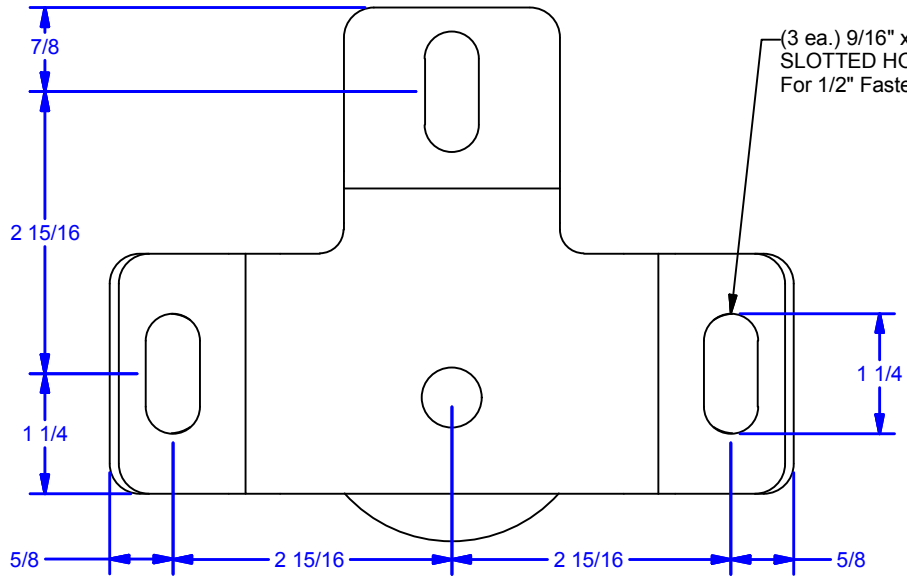
C

B

B

A

A



Available Finishes:
 0154.00004: Powder Coat Pebble Tan
 0154.00004SC: Powder Coat Black
 0154.00004ZC: Clear Zinc Plated
 0154.00004SS: 304 Stainless Steel w. #2B Mill Finish

DWG #: 154P4
 DRAWN: BCM 8/5/2010
 SHEET #1
 File: 0000843.idw

ALL DIMENSIONS IN INCHES

THE INFORMATION CONTAINED IN THIS DRAWING IS THE SOLE PROPERTY OF CROWN INDUSTRIAL. ANY REPRODUCTION IN PART OR AS A WHOLE WITHOUT THE WRITTEN PERMISSION OF CROWN INDUSTRIAL IS PROHIBITED.	ID #:	0000843	STOCK PART #:	0154.00004
	MATERIAL:			
DESCRIPTION: 154P4 Stay Roller (Nylon Wheel)				
FINISH:		# PCS:	REV:	



CROWN INDUSTRIAL
 So. San Francisco, Ca
 (650) 952-5150
 www.crown-industrial.com

4

3

2

1