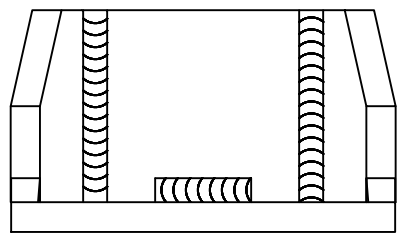
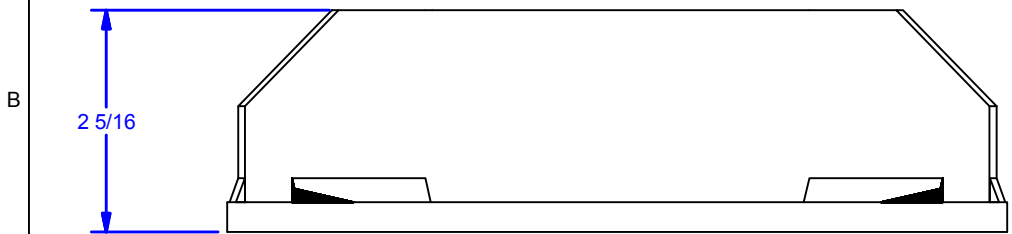


4X Ø21/64 THRU
Countersunk For 5/16 Flat Head Fasteners (by others)



DWG #: 171
DRAWN:BCM 4/2/2009
SHEET #1
File: 0000496.idw

ALL DIMENSIONS IN INCHES

THE INFORMATION CONTAINED IN THIS DRAWING IS THE SOLE PROPERTY OF CROWN INDUSTRIAL. ANY REPRODUCTION IN PART OR AS A WHOLE WITHOUT THE WRITTEN PERMISSION OF CROWN INDUSTRIAL IS PROHIBITED.	ID #:	STOCK PART #:
	0000496	0171.00001
DESCRIPTION:	MATERIAL:	
Floor Center Stop for Max. 2-1/4" Thick Door (171P1)	Welded Steel Mild	
FINISH:	# PCS:	REV:
Powder Coat Pebble Tan		



CROWN INDUSTRIAL
So. San Francisco, Ca
(650) 952-5150
www.crown-industrial.com

4

3

2

1

D

D

C

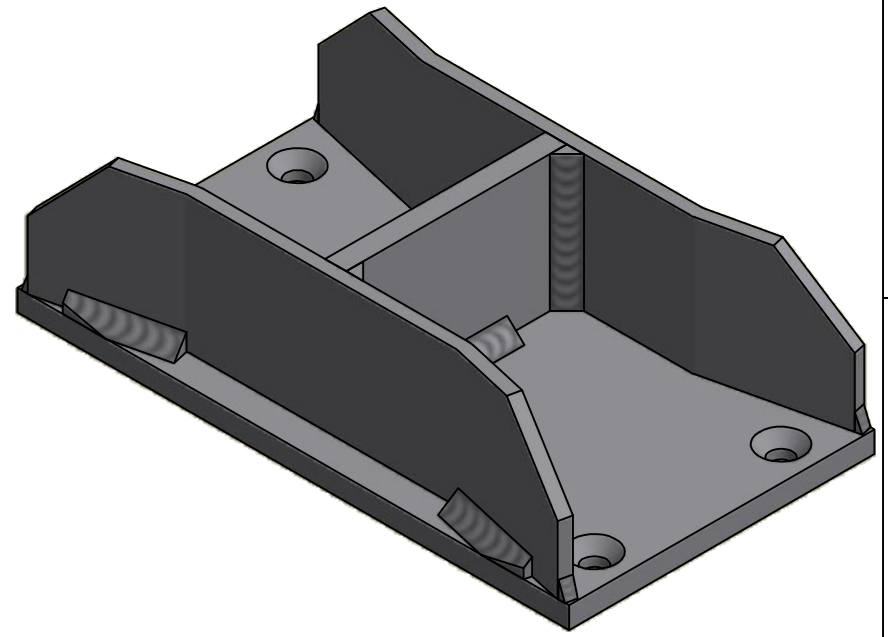
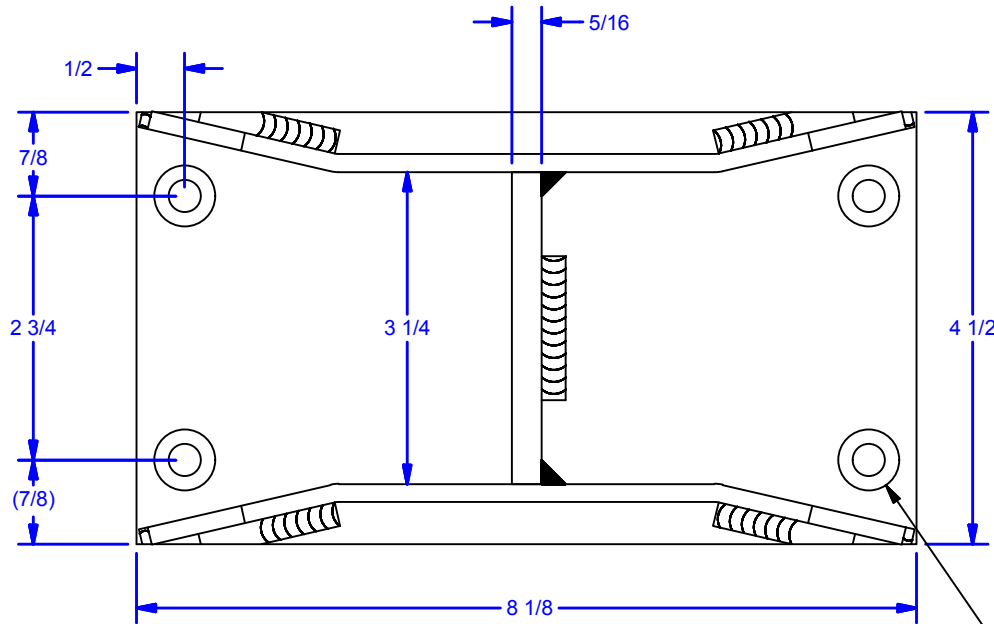
C

B

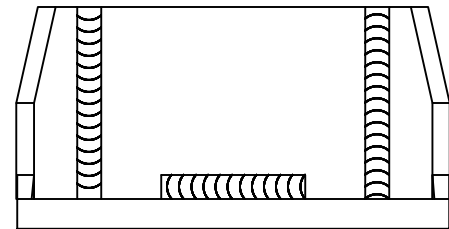
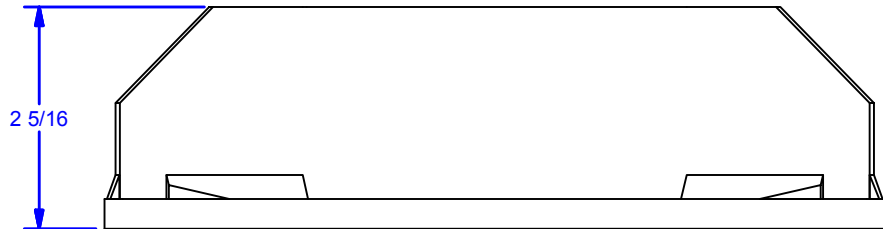
B

A

A



4X Ø21/64 THRU
Countersunk For 5/16 Flat Head Fasteners (by others)



DWG #: 171
DRAWN:BCM 4/2/2009
SHEET #2
File: 0000496.idw

ALL DIMENSIONS IN INCHES

THE INFORMATION CONTAINED IN THIS DRAWING IS THE SOLE PROPERTY OF CROWN INDUSTRIAL. ANY REPRODUCTION IN PART OR AS A WHOLE WITHOUT THE WRITTEN PERMISSION OF CROWN INDUSTRIAL IS PROHIBITED.	ID #:	0000499	STOCK PART #:	0171.00003
	MATERIAL:	Welded Steel Mild		
DESCRIPTION: Floor Center Stop for Max. 3" Thick Door (173P3)				
FINISH:	Powder Coat Pebble Tan		# PCS:	REV:



CROWN INDUSTRIAL
So. San Francisco, Ca
(650) 952-5150
www.crown-industrial.com

4

3

2

1