

4

3

2

1

D

D

C

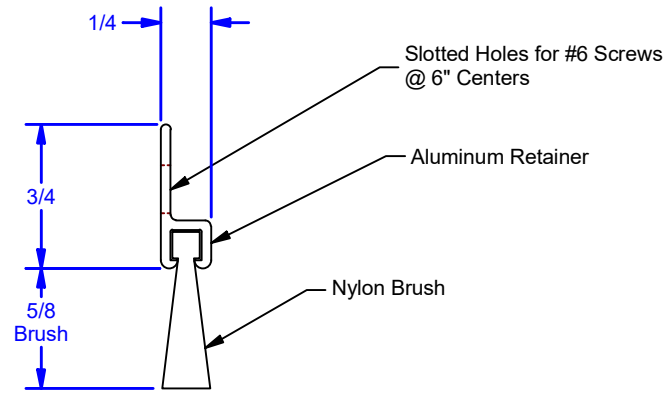
C

B

B

A

A



Retainer Max Length: 185"

\*Includes #6 x 5/8" Pan Head Phillips Sheet Metal Screws

Finish:

- 18061ANB: Mill Finish Aluminum w/ Gray Nylon Brush
- 18061DNB: Dark Bronze Anodized Aluminum w/ Back Nylon Brush

**ALL DIMENSIONS IN INCHES**

THE INFORMATION CONTAINED IN THIS DRAWING IS THE SOLE PROPERTY OF CROWN INDUSTRIAL. ANY REPRODUCTION IN PART OR AS A WHOLE WITHOUT THE WRITTEN PERMISSION OF CROWN INDUSTRIAL IS PROHIBITED.	ID #:	0002524-01	STOCK PART #:	18061NB
	MATERIAL:		Aluminum-6061	
DESCRIPTION:				
5/8" Brush Seal, 3/4" Retainer				
FINISH:			# PCS:	REV:



**CROWN INDUSTRIAL**

So. San Francisco, Ca  
(650) 952-5150

[www.crown-industrial.com](http://www.crown-industrial.com)

DWG #: 0002368  
DRAWN:BCM 8/8/2017  
SHEET #11

File: 0002368.idw

4

3

2

1

4

3



2

1

D

D

C

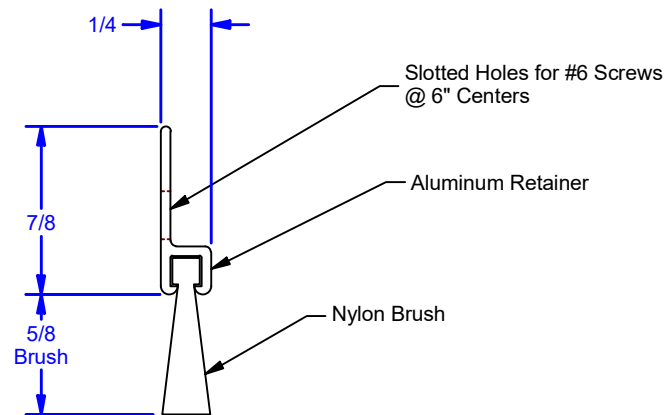
C

B

B

A

A



Retainer Max Length: 185"

\*Includes #6 x 5/8" Pan Head Phillips Sheet Metal Screws

Finish:

- 18062ANB: Mill Finish Aluminum w/ Gray Nylon Brush
- 18062DNB: Dark Bronze Anodized Aluminum w/ Back Nylon Brush

**ALL DIMENSIONS IN INCHES**

THE INFORMATION CONTAINED IN THIS DRAWING IS THE SOLE PROPERTY OF CROWN INDUSTRIAL. ANY REPRODUCTION IN PART OR AS A WHOLE WITHOUT THE WRITTEN PERMISSION OF CROWN INDUSTRIAL IS PROHIBITED.	ID #:	0002524-02	STOCK PART #:	18062NB
	MATERIAL:		Aluminum-6061	
DESCRIPTION:				
5/8" Brush Seal, 7/8" Retainer				
FINISH:			# PCS:	REV:



**CROWN INDUSTRIAL**

So. San Francisco, Ca  
(650) 952-5150

[www.crown-industrial.com](http://www.crown-industrial.com)

DWG #: 0002368  
DRAWN:BCM 8/8/2017  
SHEET #12

File: 0002368.idw

4

3



2

1

4

3

2

1

D

D

C

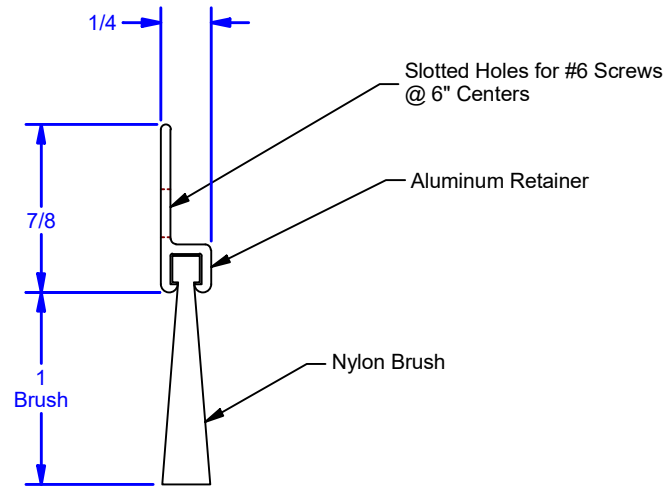
C

B

B

A

A



Retainer Max Length: 185"

\*Includes #6 x 5/8" Pan Head Phillips Sheet Metal Screws

Finish:

- 18100ANB: Mill Finish Aluminum w/ Gray Nylon Brush
- 18100DNB: Dark Bronze Anodized Aluminum w/ Back Nylon Brush

**ALL DIMENSIONS IN INCHES**

THE INFORMATION CONTAINED IN THIS DRAWING IS THE SOLE PROPERTY OF CROWN INDUSTRIAL. ANY REPRODUCTION IN PART OR AS A WHOLE WITHOUT THE WRITTEN PERMISSION OF CROWN INDUSTRIAL IS PROHIBITED.	ID #:	0002524-03	STOCK PART #:	18100NB
	MATERIAL:	Aluminum-6061		
DESCRIPTION: 1" Brush Seal, 7/8" Retainer				
FINISH:	# PCS:	REV:		



**CROWN INDUSTRIAL**

So. San Francisco, Ca  
(650) 952-5150

[www.crown-industrial.com](http://www.crown-industrial.com)

DWG #: 0002368  
DRAWN:BCM 8/8/2017  
SHEET #13

File: 0002368.idw

4

3

2

1



4

3

2

1

D

D

C

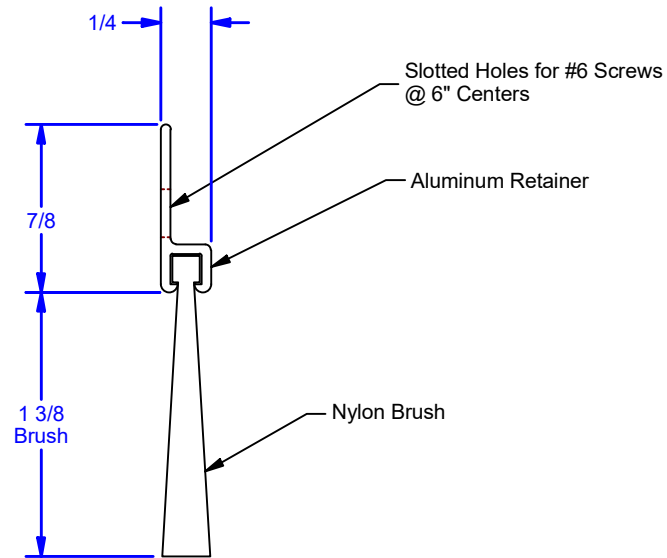
C

B

B

A

A



Retainer Max Length: 185"

\*Includes #6 x 5/8" Pan Head Phillips Sheet Metal Screws

Finish:

- 18137ANB: Mill Finish Aluminum w/ Gray Nylon Brush
- 18137DNB: Dark Bronze Anodized Aluminum w/ Back Nylon Brush

**ALL DIMENSIONS IN INCHES**

THE INFORMATION CONTAINED IN THIS DRAWING IS THE SOLE PROPERTY OF CROWN INDUSTRIAL. ANY REPRODUCTION IN PART OR AS A WHOLE WITHOUT THE WRITTEN PERMISSION OF CROWN INDUSTRIAL IS PROHIBITED.	ID #:	0002524-04	STOCK PART #:	18137NB
	MATERIAL:	Aluminum-6061		
DESCRIPTION: 1-3/8" Brush Seal, 7/8" Retainer				
FINISH:	# PCS:	REV:		



**CROWN INDUSTRIAL**

So. San Francisco, Ca  
(650) 952-5150

[www.crown-industrial.com](http://www.crown-industrial.com)

DWG #: 0002368  
DRAWN:BCM 8/8/2017  
SHEET #14

File: 0002368.idw

4

3

2

1

A

4

3

2

1

D

D

C

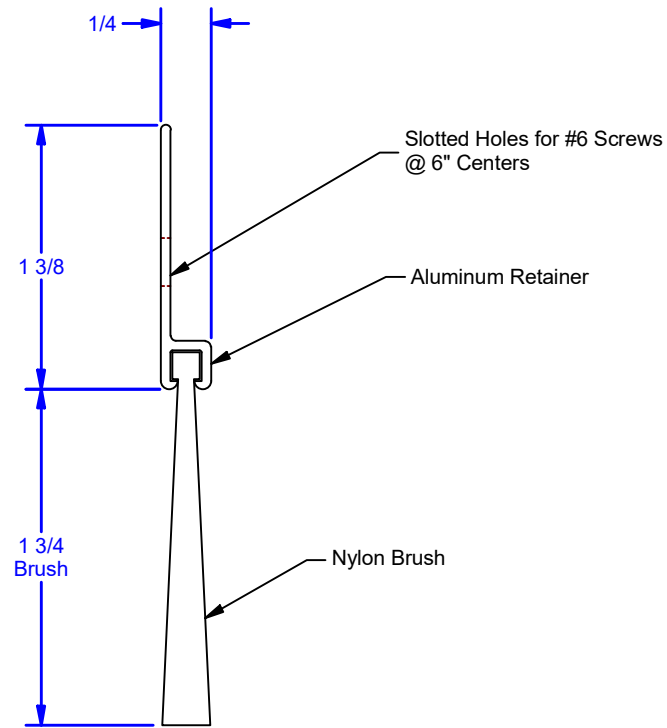
C

B

B

A

A



Retainer Max Length: 185"  
 \*Includes #6 x 5/8" Pan Head Phillips Sheet Metal Screws

- Finish:
- 18175ANB: Mill Finish Aluminum w/ Gray Nylon Brush
  - 18175DNB: Dark Bronze Anodized Aluminum w/ Back Nylon Brush

**ALL DIMENSIONS IN INCHES**

THE INFORMATION CONTAINED IN THIS DRAWING IS THE SOLE PROPERTY OF CROWN INDUSTRIAL. ANY REPRODUCTION IN PART OR AS A WHOLE WITHOUT THE WRITTEN PERMISSION OF CROWN INDUSTRIAL IS PROHIBITED.	ID #:	0002524-05	STOCK PART #:	18175NB
	MATERIAL:	Aluminum-6061		
DESCRIPTION: 1-3/4" Brush Seal, 1-3/8" Retainer				
FINISH:	# PCS:	REV:		



**CROWN INDUSTRIAL**  
 So. San Francisco, Ca  
 (650) 952-5150  
[www.crown-industrial.com](http://www.crown-industrial.com)

DWG #: 0002368  
 DRAWN:BCM 8/8/2017  
 SHEET #15  
 File: 0002368.idw

4

3

2

1



4

3

2

1

D

D

C

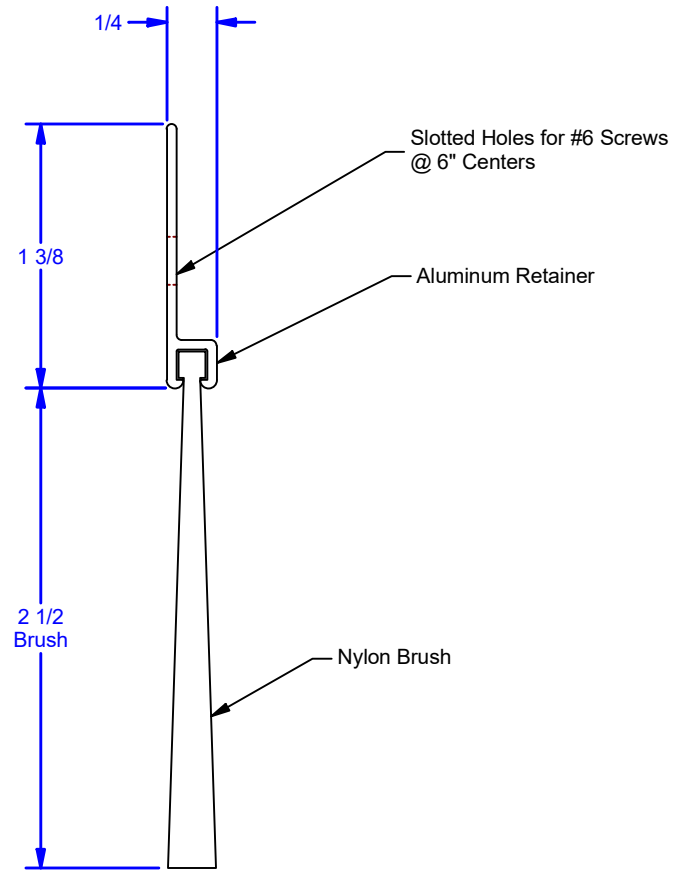
C

B

B

A

A



Retainer Max Length: 185"  
 \*Includes #6 x 5/8" Pan Head Phillips Sheet Metal Screws

Finish:

- 18250ANB: Mill Finish Aluminum w/ Gray Nylon Brush
- 18250DNB: Dark Bronze Anodized Aluminum w/ Back Nylon Brush

**ALL DIMENSIONS IN INCHES**

THE INFORMATION CONTAINED IN THIS DRAWING IS THE SOLE PROPERTY OF CROWN INDUSTRIAL. ANY REPRODUCTION IN PART OR AS A WHOLE WITHOUT THE WRITTEN PERMISSION OF CROWN INDUSTRIAL IS PROHIBITED.	ID #:	0002524-06	STOCK PART #:	18250NB
	MATERIAL:	Aluminum-6061		
DESCRIPTION: 2-1/2" Brush Seal, 1-3/8" Retainer				
FINISH:	# PCS:	REV:		



**CROWN INDUSTRIAL**  
 So. San Francisco, Ca  
 (650) 952-5150  
[www.crown-industrial.com](http://www.crown-industrial.com)

DWG #: 0002368  
 DRAWN:BCM 8/8/2017  
 SHEET #16  
 File: 0002368.idw

4

3

2

1