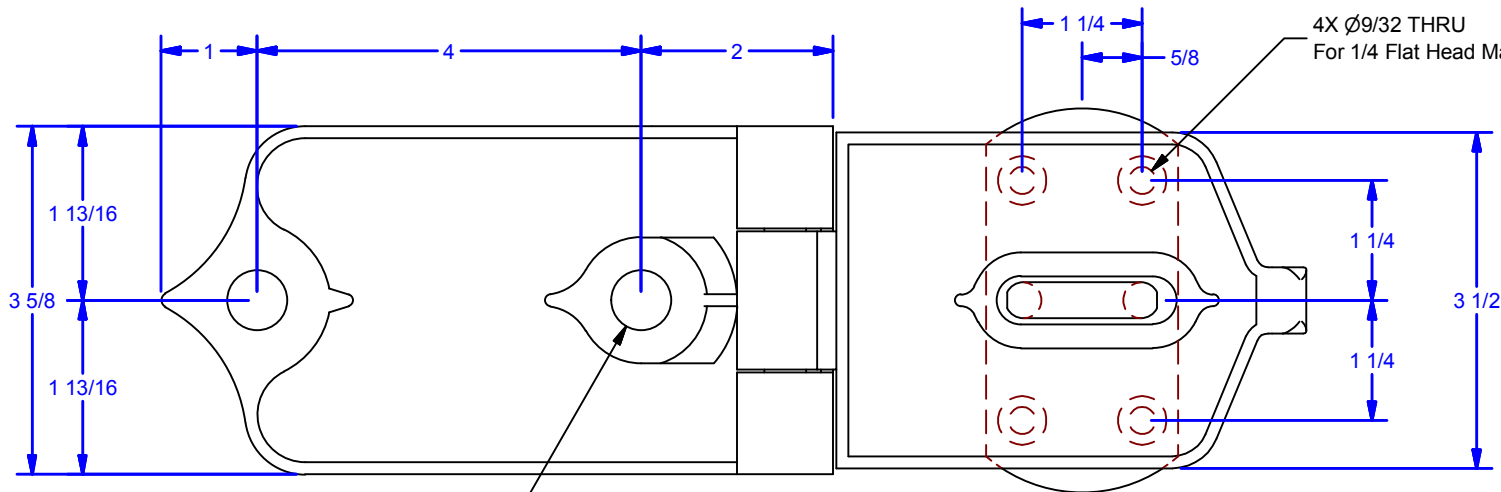
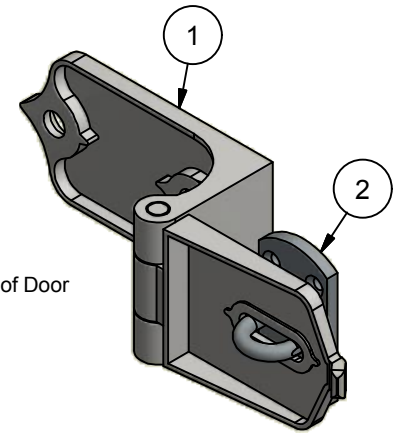
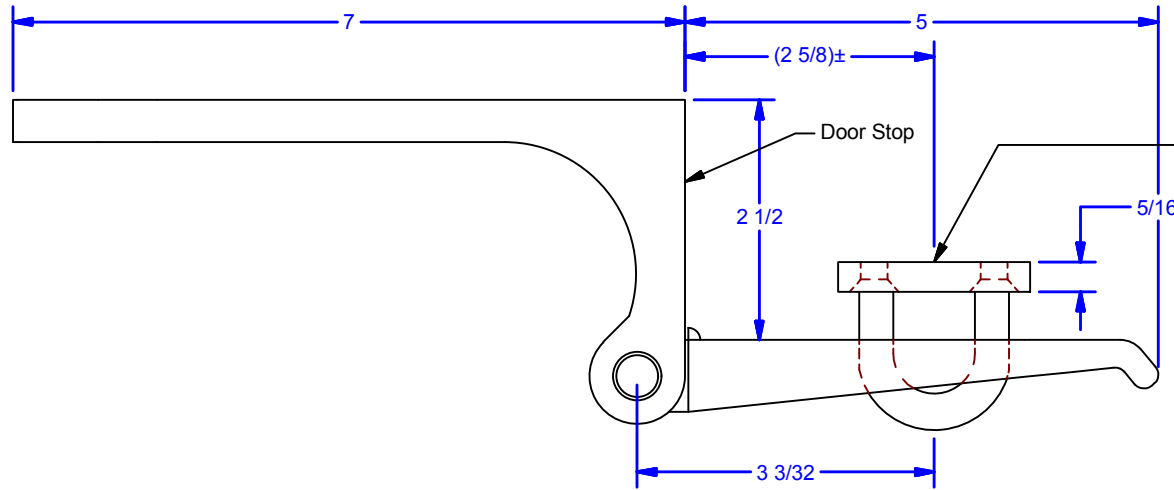


Parts List				
ITEM	QTY	PART #	DESCRIPTION	STOCK #
1	1	0001716	Hasp Assembly	182P20
2	1	0000702	Staple for #182 Hasp	
3	4	#14FHWS	#14 x 2" Flat Head Wood Screw, zinc for Staple (Included)	



2X Ø5/8 THRU
For 1/2 Fasteners (By Others)

4X Ø9/32 THRU
For 1/4 Flat Head Machine Screw (82)

ALL DIMENSIONS IN INCHES

THE INFORMATION CONTAINED IN THIS DRAWING IS THE SOLE PROPERTY OF CROWN INDUSTRIAL. ANY REPRODUCTION IN PART OR AS A WHOLE WITHOUT THE WRITTEN PERMISSION OF CROWN INDUSTRIAL IS PROHIBITED.		ID #: 0001717	STOCK PART #: 182P20ZC
DESCRIPTION: Hasp, 1-3/4" Thick Door		MATERIAL:	
FINISH: Clear Zinc	VENDOR:	VENDOR PART #: 0182.00020ZC	# PCS. REV:

3.898 lbmass



CROWN INDUSTRIAL
So. San Francisco, Ca
(650) 952-5150
www.crown-industrial.com

DWG #: 0001410
DRAWN: BCM 9/22/2014
SHEET #2
File: 0001410.idw