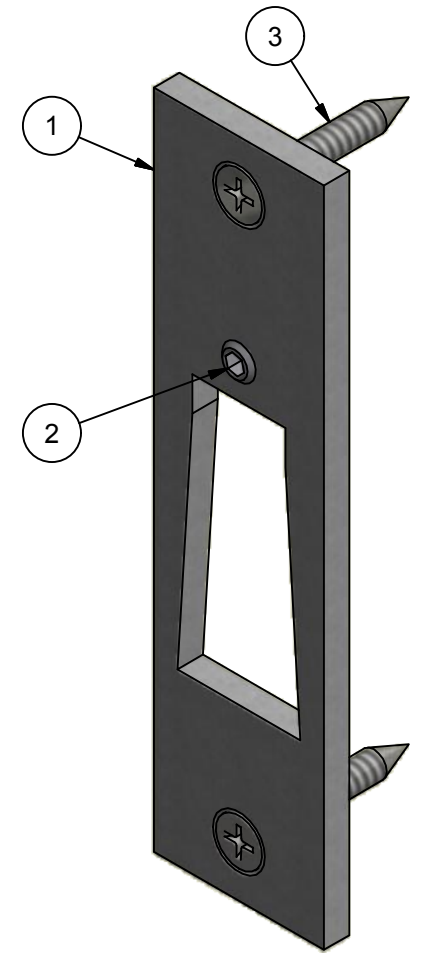
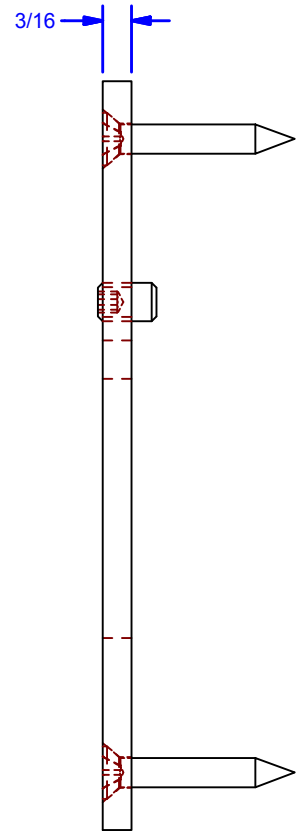
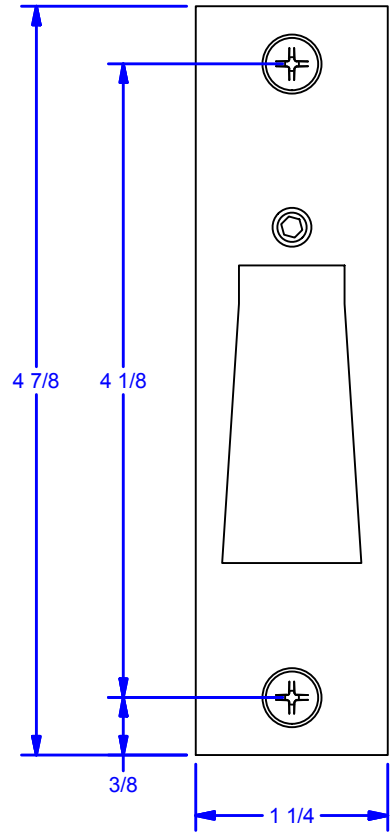


Parts List				
ITEM	QTY	PART #	DESCRIPTION	STOCK #
1	1	0000178	1850 ADJUSTABLE STRIKE PLATE (SLIDING)	CR1850STK-SL
2	1	ANSI B18.3 - 1/4-20 UNC x 0.38	Stainless Steel Set Screw	
3	2	FHPSMS No. 10-16 x 1 1/4 S.S. 18-8	Flat Head Phillips Sheet Metal Screw	



DWG #: 1850
 DRAWN: BCM 1/6/2015
 SHEET #16
 File: 0000184.idw

ALL DIMENSIONS IN INCHES

THE INFORMATION CONTAINED IN THIS DRAWING IS THE SOLE PROPERTY OF CROWN INDUSTRIAL. ANY REPRODUCTION IN PART OR AS A WHOLE WITHOUT THE WRITTEN PERMISSION OF CROWN INDUSTRIAL IS PROHIBITED.	ID #:	0001803	STOCK PART #:	1850STK-SL
	MATERIAL:	Stainless Steel		
DESCRIPTION: Strike Plate for 1850 Lock, Sliding				
FINISH: #4	# PCS:	1	REV.:	



CROWN INDUSTRIAL
 So. San Francisco, Ca
 (650) 952-5150
www.crown-industrial.com

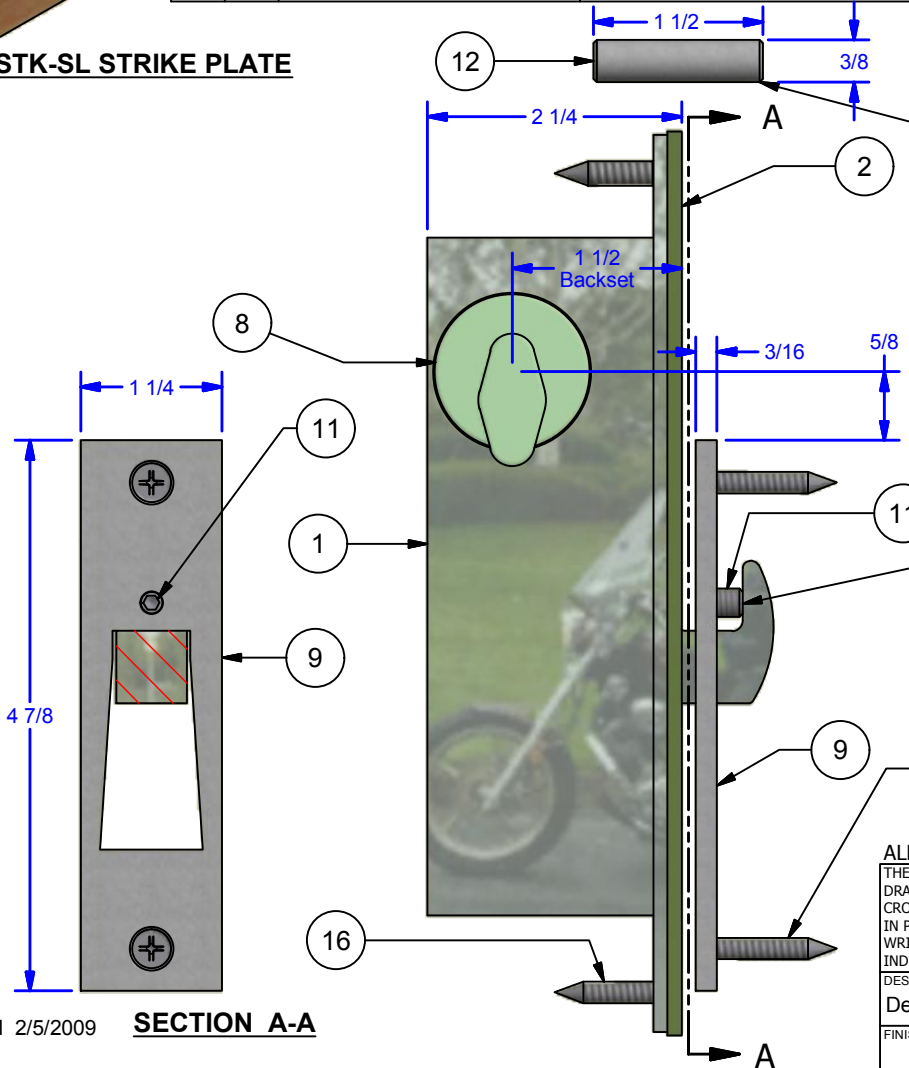


Parts List				
ITE	QTY	PART #	DESCRIPTION	STOCK #
1	1	0000383	Deadbolt Lock, 1-1/2" Backset	1850SN-050-xxx
2	1	0000182	1850 COVERPLATE (SLIDE)	CR1850CP-SL
6	2	0000388-03	Trim Ring x 1/8	TR1/8
7	1	0000385	Cylinder	GMS-Mxxx-SC-xx-AR-A2
8	1	0000384	Thumb Turn	GMS-MxxxT-SC-xx-AR
9	1	0000178	1850 ADJUSTABLE STRIKE PLATE (SLIDING)	CR1850STK-SL
11	1	ANSI B18.3 - 1/4-20 UNC x 0.38	1/4" S.S. SET SCREW-LOCK TIGHT IN POSITION	
12	1	0000363	1850 Biparting Lock Dowel Pin	0000363
13	2	FHPMS No. 10-16 x 1 1/4	Flat Head Phillips Sheet Metal Screw	
14	3	(FHPMS) 8-32 x 1/4	Flat Head Phillips Head Machine Screw	
15	1	FHPMS No. 12-14 x 1	#12 Flat Head Phillips Combination Fastener	
16	1	FHPMS No. 10-16 x 1	Flat Head Phillips Sheet Metal Screw	



CR1850STK-SL STRIKE PLATE

1850 DEADBOLT LOCK



Use for Biparting Applications
Where security is a concern.
Prevents door from being lifted off latch.

STAINLESS STEEL SET SCREWS PROVIDED: 1/4"-20x3/8".

INSTRUCTIONS: ADJUST SET SCREW FOR PROPER TAKEUP,
APPLY LOCK TITE TO SCREW TO KEEP IN PLACE.

PURPOSE: TO ENSURES ANY SLOP IN LOCK TO BE REMOVED.
(SPECIFIC FOR CR1850STK-SL STRIKE PLATE ONLY)

ALL DIMENSIONS IN INCHES

THE INFORMATION CONTAINED IN THIS DRAWING IS THE SOLE PROPERTY OF CROWN INDUSTRIAL. ANY REPRODUCTION IN PART OR AS A WHOLE WITHOUT THE WRITTEN PERMISSION OF CROWN INDUSTRIAL IS PROHIBITED.	ID #: 0000383	STOCK PART #:
DESCRIPTION: Deadbolt Lock Assy., 1-1/2" Backset	MATERIAL:	
FINISH:	# PCS: 1	REV:



CROWN INDUSTRIAL
So. San Francisco, Ca
(650) 952-5150
www.crown-industrial.com

SECTION A-A