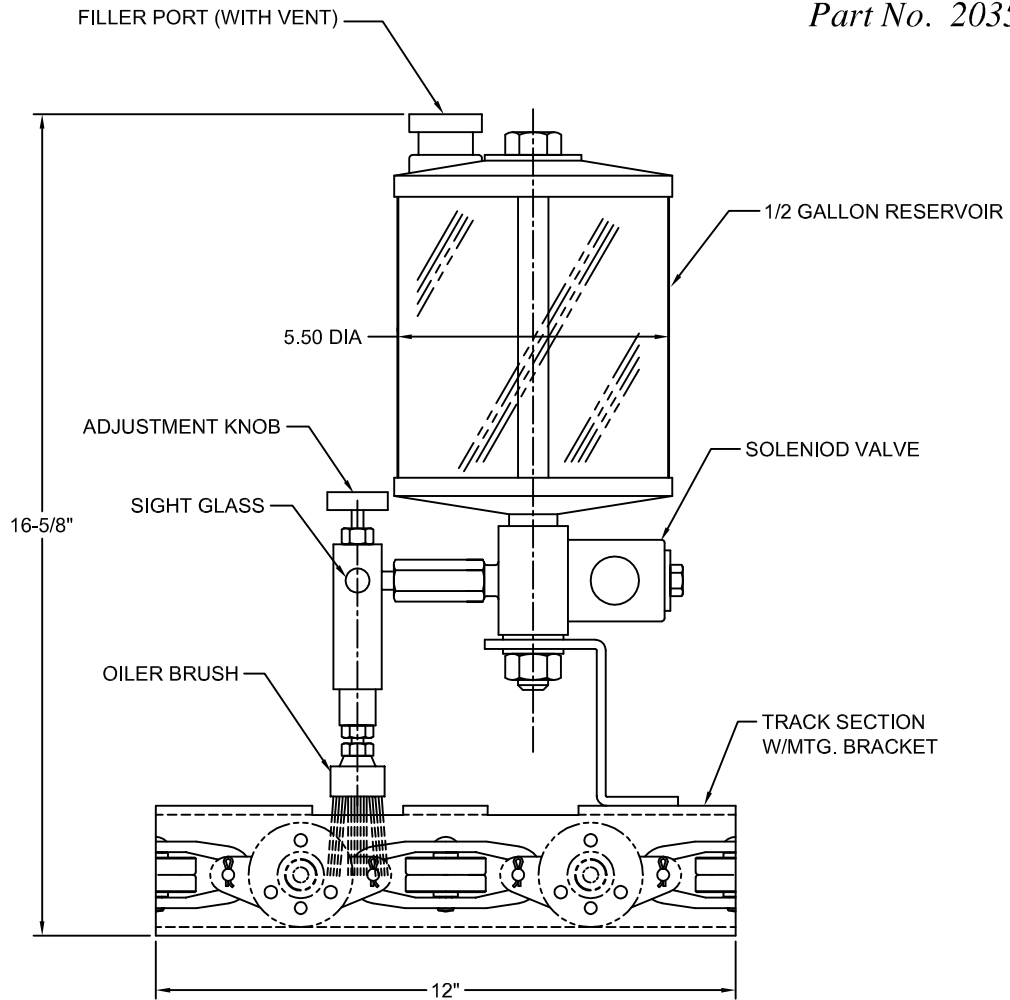


ELECTRO-BRUSH CHAIN OILER

Part No. 2035.00669



DESCRIPTION: This brush type oiler is mounted to a section of conveyor track and features a 0.5 gallon reservoir and brush assembly. Note: Field assembly required. The top of the track has an opening that allows the brush to coat the top of the moving chain.

APPLICATION: A 120V soleniod shut off valve is provided at the bottom of the reservoir tank to actuate the start and stop of the flow of oil to the chain. The adjusting screw regulates the oil flow to the brush. The soleniod can be wired to either a relay, a switch, or a PLC output that provides a 120VAC, 60HZ, single plase power source.

SHIPPING WEIGHT: 14 lbs.

File Name: 2035-669.dwg

RICHARDS - WILCOX

600 S LAKE ST. AURORA, IL 60506
 Phone: (630) 897-6951 Fax: (630) 897-6994
 Web Site: www.richardswilcox.com

DESCRIPTION:

ELECTRO-BRUSH OILER

PART NO.:

2035.00669

REV. LEVEL:

A

DATE:

05/07/09

NOTICE:

This drawing in design and detail is the property of Richards-Wilcox, any reproductions of this print and/or design without the written consent of Richards-Wilcox is prohibited.

ZZ
38