

4

3

2

1

D

D

C

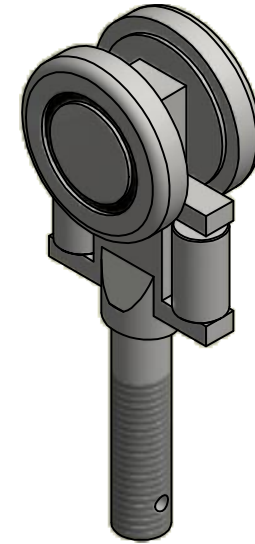
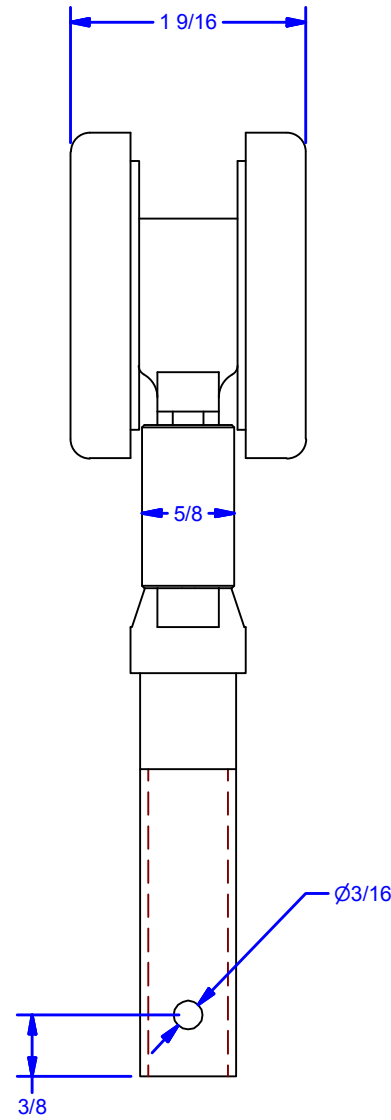
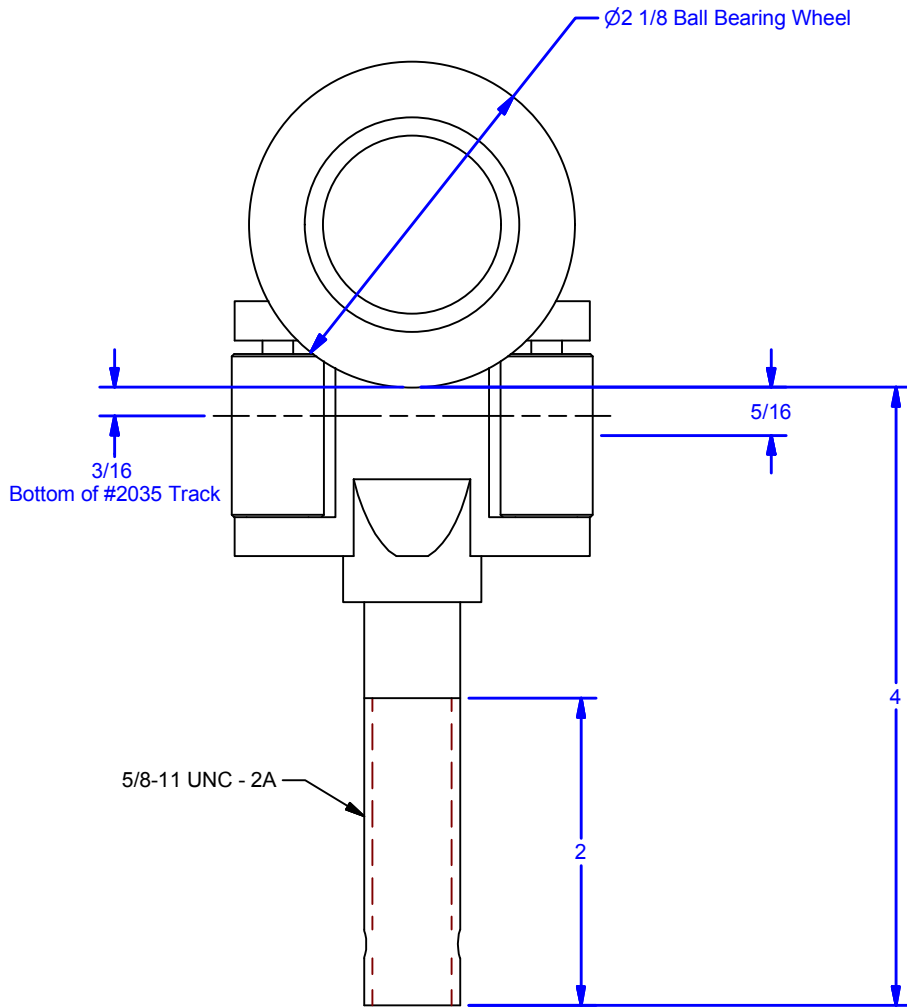
C

B

B

A

A



DWG #: 0002472
 DRAWN: BCM 5/10/2017
 SHEET #1
 File: 0002472.idw

ALL DIMENSIONS IN INCHES

THE INFORMATION CONTAINED IN THIS DRAWING IS THE SOLE PROPERTY OF CROWN INDUSTRIAL. ANY REPRODUCTION IN PART OR AS A WHOLE WITHOUT THE WRITTEN PERMISSION OF CROWN INDUSTRIAL IS PROHIBITED.	ID #: 0002471	STOCK PART #: 2035.01710
	MATERIAL: Steel, Mild	
DESCRIPTION: Two Wheel Carrier, BB (125 Cap)		
FINISH: Clear Zinc	# PCS: 1	REV: 1



CROWN INDUSTRIAL
 So. San Francisco, Ca
 (650) 952-5150
 www.crown-industrial.com

4

3

2

1

