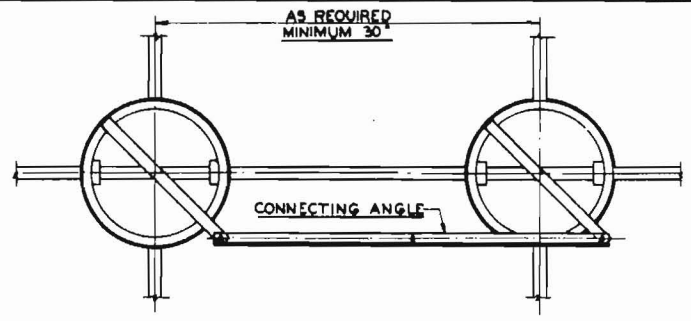
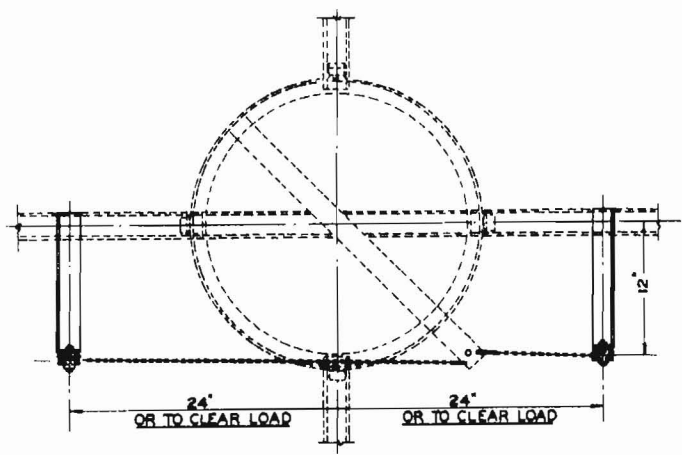
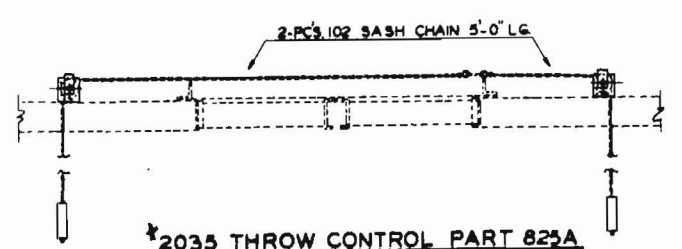


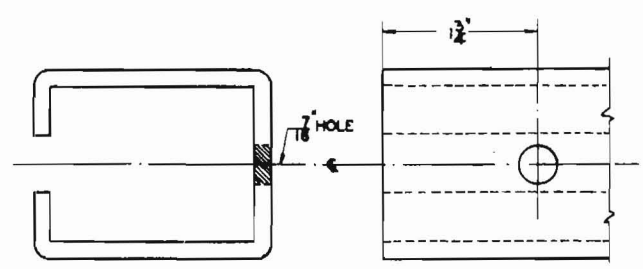
**PLAN VIEW** **500LBS CAPACITY** **SECTION A-A**  
**\*2035-24" GAP BALLBEARING TURNABLE PART 821-A**  
 SCALE: 1/2" = 1'-0"



**TANDEM ARRANGEMENT**  
 SCALE: 3/8" = 1'-0"



**\*2035 THROW CONTROL PART 825A**  
 SCALE: 3/8" = 1'-0"



**ENTRANCE TRACK PREPARATION**  
 SCALE: 6" = 1'-0"