

4

3

2

1

D

D

C

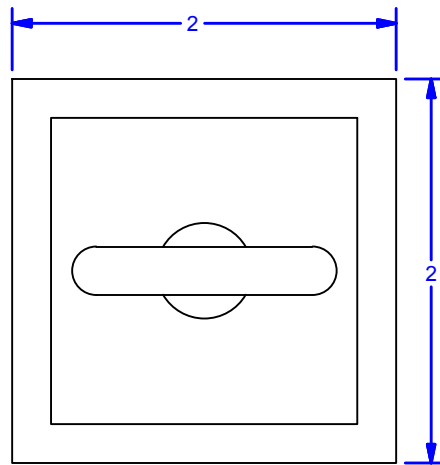
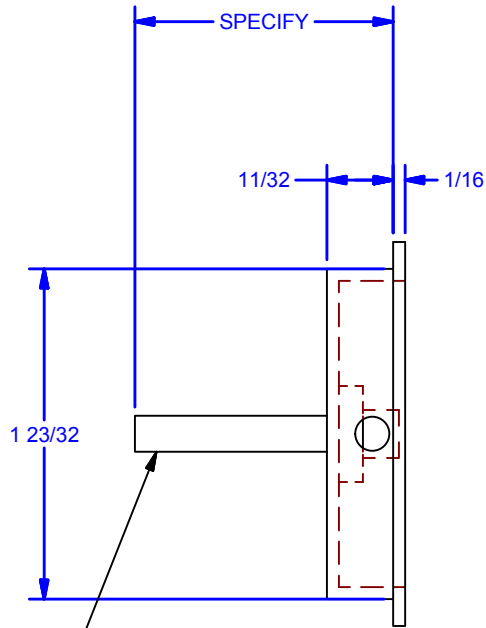
C

B

B

A

A



Engages into  
2000 Series Lock by Max. 5/16"

**INDICATE DOOR THICKNESS**

**ALL DIMENSIONS IN INCHES**

THE INFORMATION CONTAINED IN THIS DRAWING IS THE SOLE PROPERTY OF CROWN INDUSTRIAL. ANY REPRODUCTION IN PART OR AS A WHOLE WITHOUT THE WRITTEN PERMISSION OF CROWN INDUSTRIAL IS PROHIBITED.	ID #:	0000571	STOCK PART #:	24ST
	MATERIAL:		Steel, Mild	
DESCRIPTION: 2001 Flush Cup Thumb Turn Assy				
FINISH: Specify			# PCS:	1
			REV:	



**CROWN INDUSTRIAL**

So. San Francisco, Ca  
(650) 952-5150

[www.crown-industrial.com](http://www.crown-industrial.com)

DWG #: 2001  
DRAWN:BCM 6/5/2009  
SHEET #2  
File: 0000417.idw

4

3

2

1

