

4

3

2

1

D

D

C

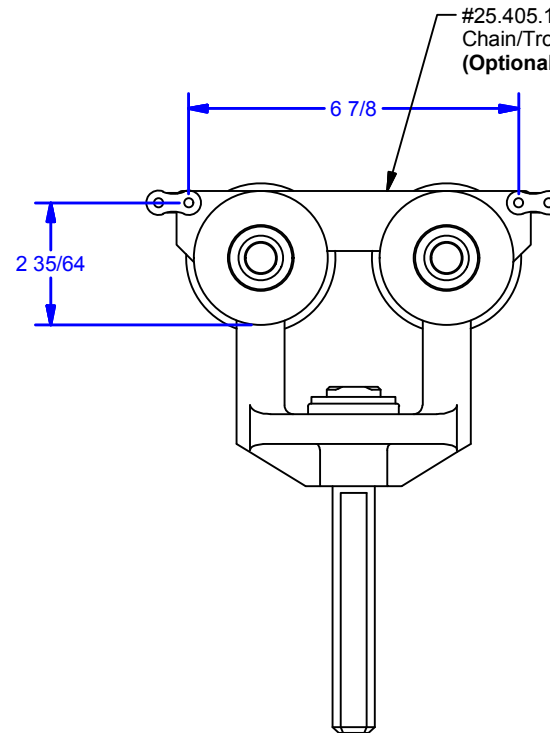
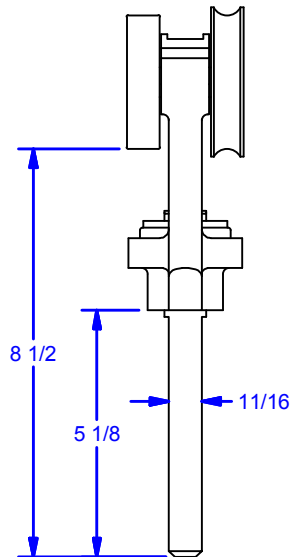
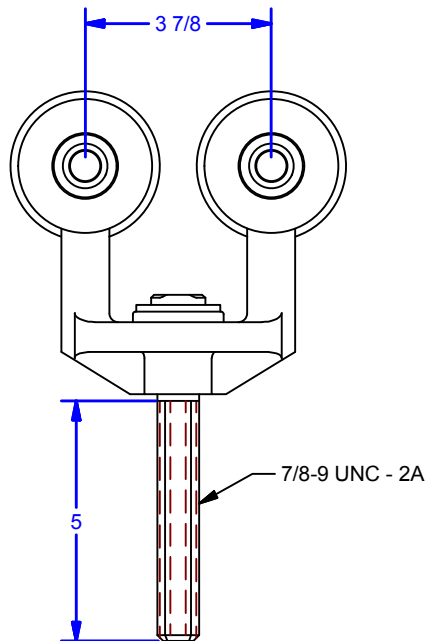
C

B

B

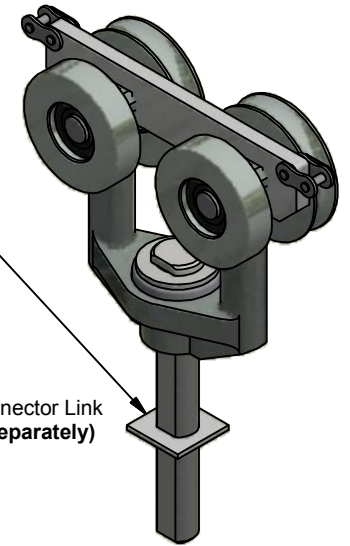
A

A



**Truck w/ Connector Link**

Includes:  
**#0000190-Z**  
7/8" Sq. Flat Keeper for Flat Pendant, Clear Zinc



**ALL DIMENSIONS IN INCHES**

THE INFORMATION CONTAINED IN THIS DRAWING IS THE SOLE PROPERTY OF CROWN INDUSTRIAL. ANY REPRODUCTION IN PART OR AS A WHOLE WITHOUT THE WRITTEN PERMISSION OF CROWN INDUSTRIAL IS PROHIBITED.	ID #:	STOCK PART #:
	405P768	25.405
DESCRIPTION:	MATERIAL:	
Trolley inter. w/Flat Pendant, Bearing & Keeper		
FINISH:	# PCS:	REV:
Clear Zinc		



**CROWN INDUSTRIAL**

So. San Francisco, Ca  
(650) 952-5150

[www.crown-industrial.com](http://www.crown-industrial.com)

DWG #: 405P764  
DRAWN:BCM 2/12/2009  
SHEET #2

File: 405P764.idw

4

3

2

1

A