

4

3

2

1

D

D

C

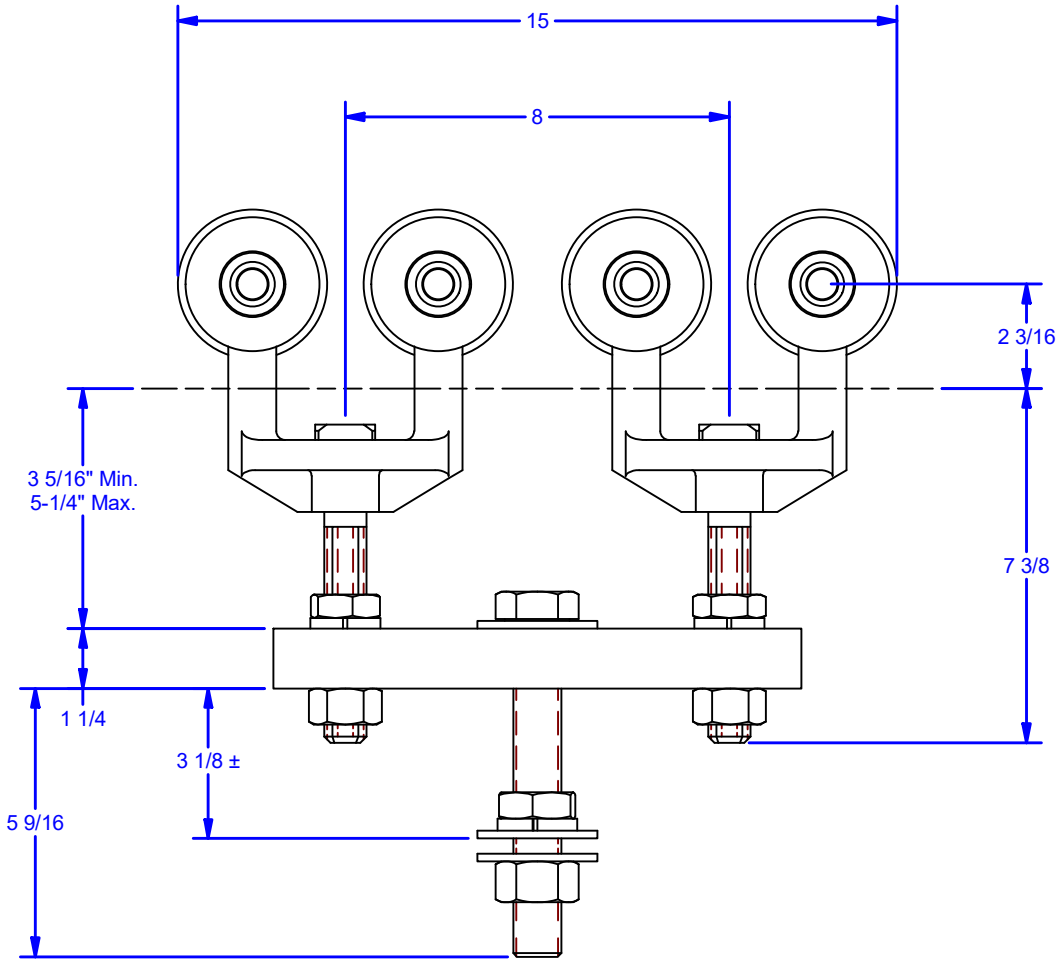
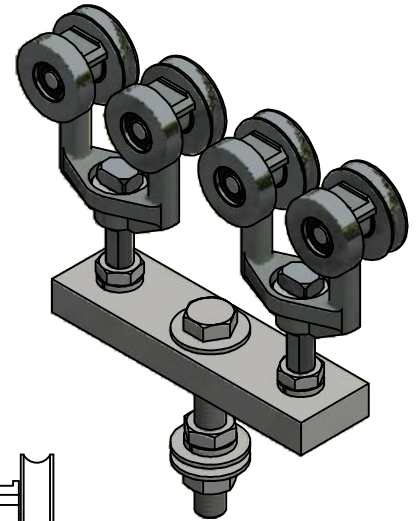
C

B

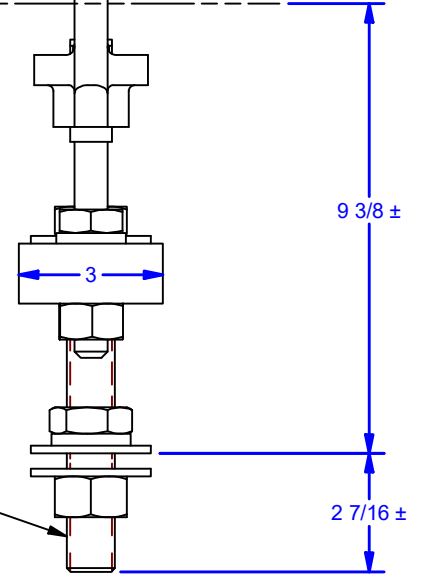
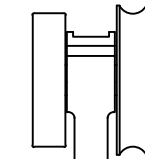
B

A

A



Bottom of #25 Track



1-8 UNC - 2A

ALL DIMENSIONS IN INCHES

THE INFORMATION CONTAINED IN THIS DRAWING IS THE SOLE PROPERTY OF CROWN INDUSTRIAL. ANY REPRODUCTION IN PART OR AS A WHOLE WITHOUT THE WRITTEN PERMISSION OF CROWN INDUSTRIAL IS PROHIBITED.	ID #:	0002523	STOCK PART #:	25-TBSE
	MATERIAL:			
DESCRIPTION: Tandem Truck Assembly (5000 lb cap)				
FINISH:	Clear Zinc	# PCS:	REV:	A



**CROWN INDUSTRIAL**

So. San Francisco, Ca  
(650) 952-5150

[www.crown-industrial.com](http://www.crown-industrial.com)

DWG #: 25-TBSE  
DRAWN: BCM 7/31/2017  
SHEET #1

File: 0001487.idw

4

3

2

1

