

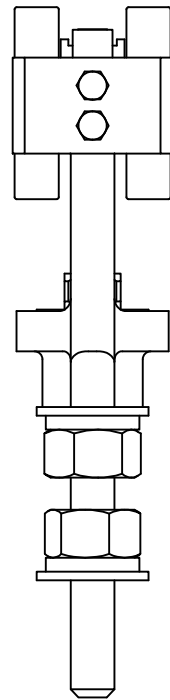
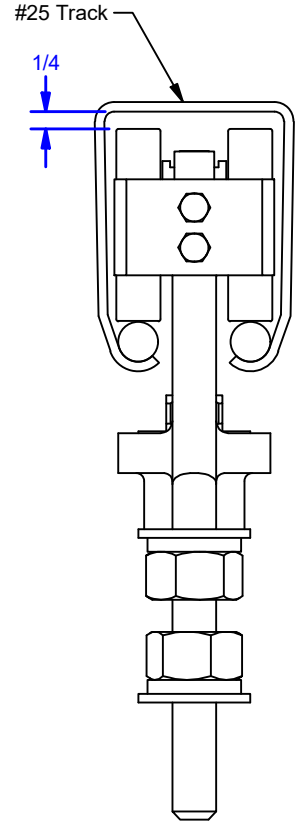
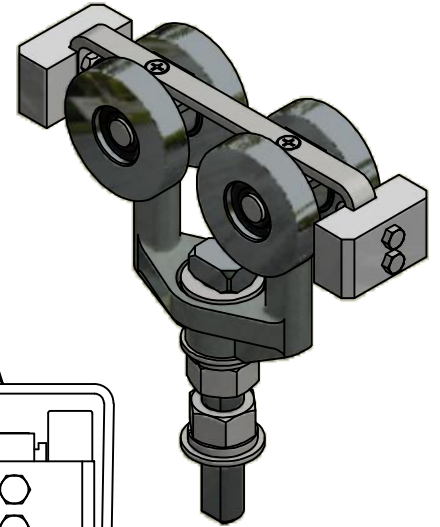
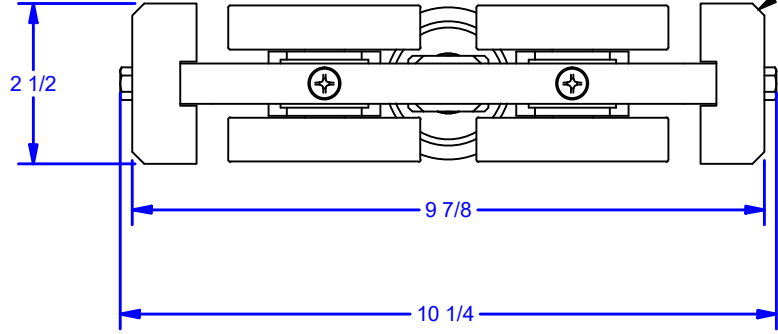
4

3

2

1

Delrin Plastic Blocks  
Prevent Truck from Twisting In Track



D

D

C

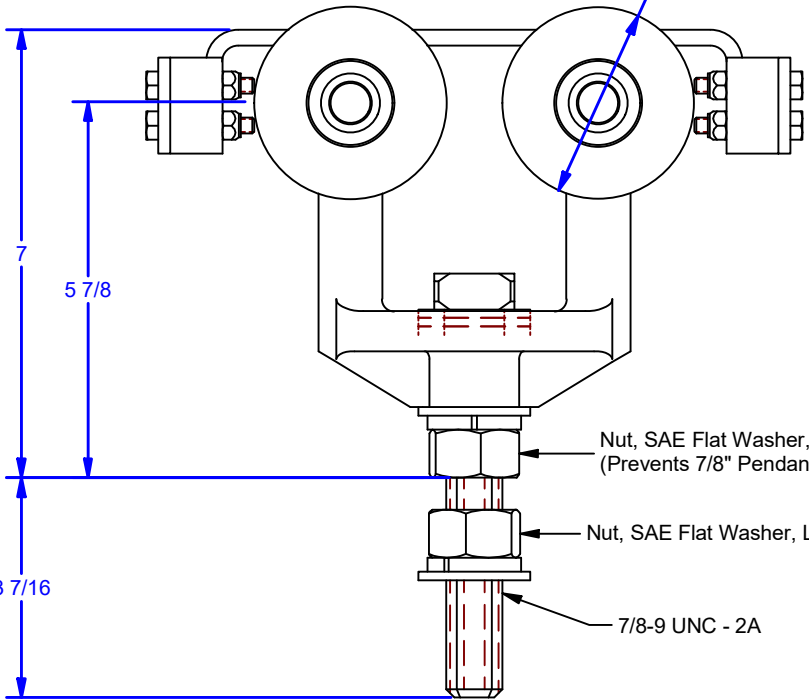
C

B

B

A

A



ALL DIMENSIONS IN INCHES

|  |           |         |               |         |
|--|-----------|---------|---------------|---------|
| THE INFORMATION CONTAINED IN THIS DRAWING IS THE SOLE PROPERTY OF CROWN INDUSTRIAL. ANY REPRODUCTION IN PART OR AS A WHOLE WITHOUT THE WRITTEN PERMISSION OF CROWN INDUSTRIAL IS PROHIBITED. | ID #:     | 0001957 | STOCK PART #: | 25B-P18 |
|  | MATERIAL: |         |               |         |
| DESCRIPTION:<br>Cantilever Gate Truck, Ball Bearing  |           |         |               |         |
| FINISH:  | # PCS:    | 2       | REV:          | A       |



**CROWN INDUSTRIAL**  
 So. San Francisco, Ca  
 (650) 952-5150  
[www.crown-industrial.com](http://www.crown-industrial.com)

DWG #: 0001959  
 DRAWN: BCM 4/6/2015  
 SHEET #1  
 File: 0001959.idw

4

3

2

1

