

4

3

2

1

D

D

C

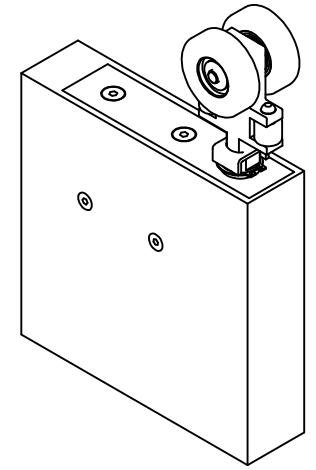
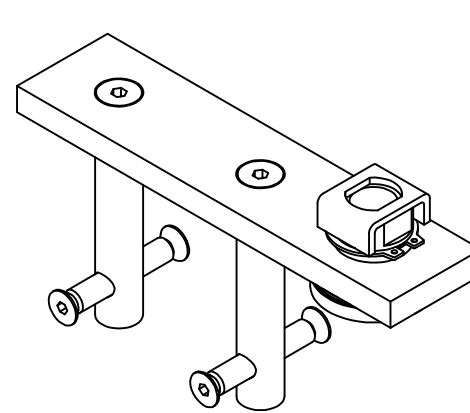
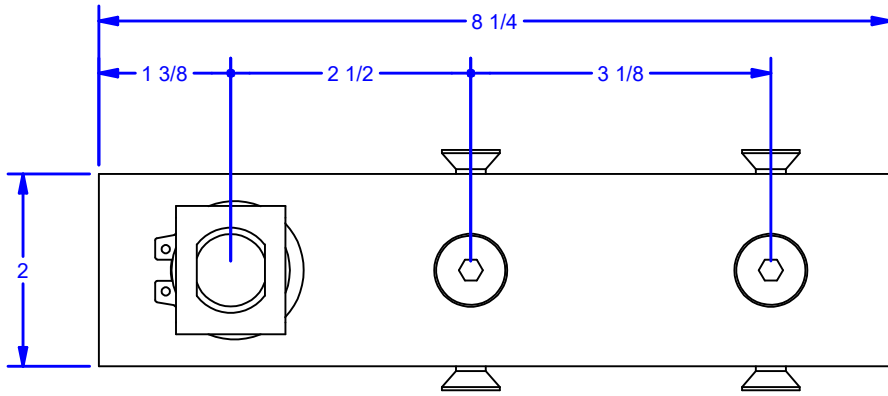
C

B

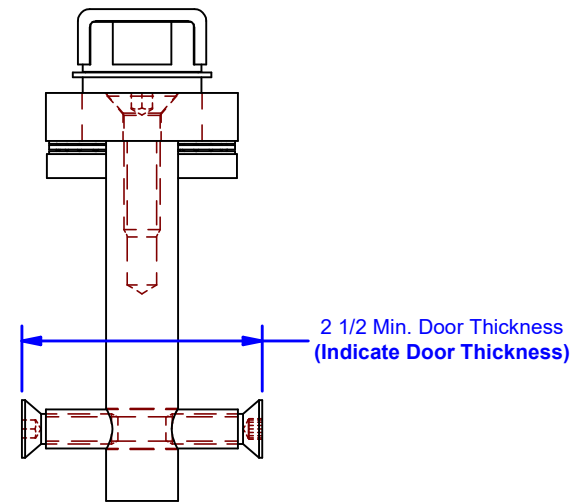
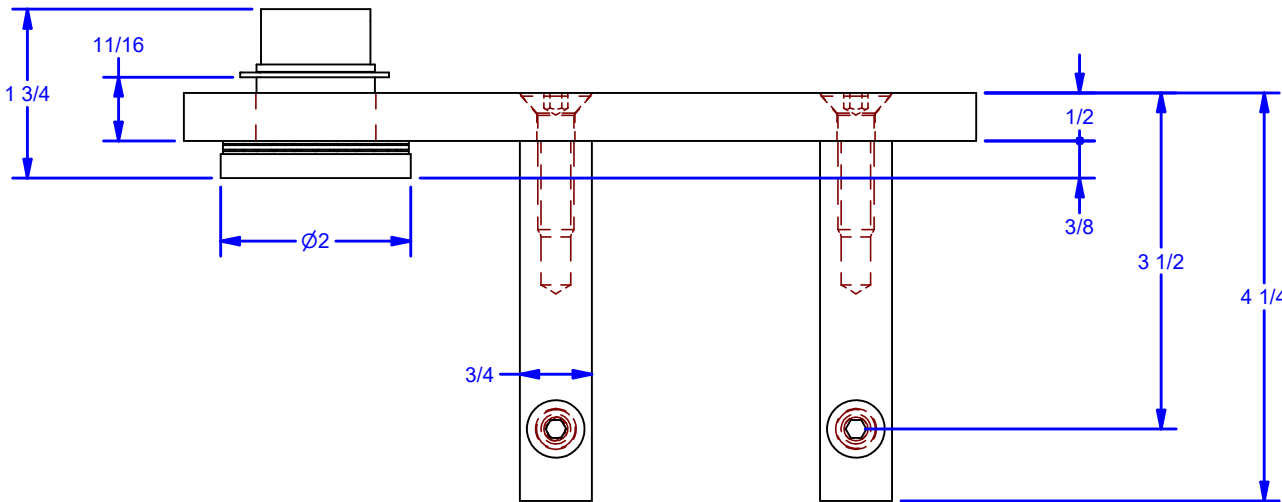
B

A

A



**Installed in Wood Door**



**ALL DIMENSIONS IN INCHES**

THE INFORMATION CONTAINED IN THIS DRAWING IS THE SOLE PROPERTY OF CROWN INDUSTRIAL. ANY REPRODUCTION IN PART OR AS A WHOLE WITHOUT THE WRITTEN PERMISSION OF CROWN INDUSTRIAL IS PROHIBITED.

ID #: 0002111-02  
MATERIAL:

STOCK PART #: 25B442SWTK-WD

DESCRIPTION:  
#25 Keeper, Swivel, & Top Plate-Wood Door

FINISH:  
Clear Zinc

# PCS: REV:

DWG #: 25B442  
DRAWN:BCM 10/27/2015  
SHEET #5  
File: 0000449.idw



**CROWN INDUSTRIAL**

So. San Francisco, Ca  
(650) 952-5150

[www.crown-industrial.com](http://www.crown-industrial.com)

4

3

2

1

