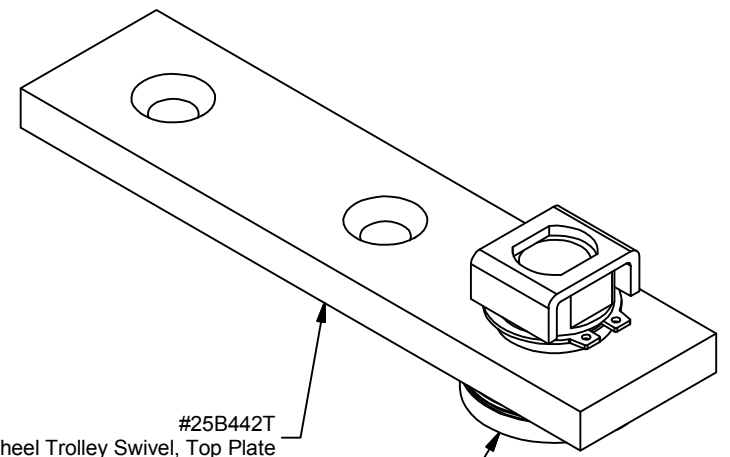
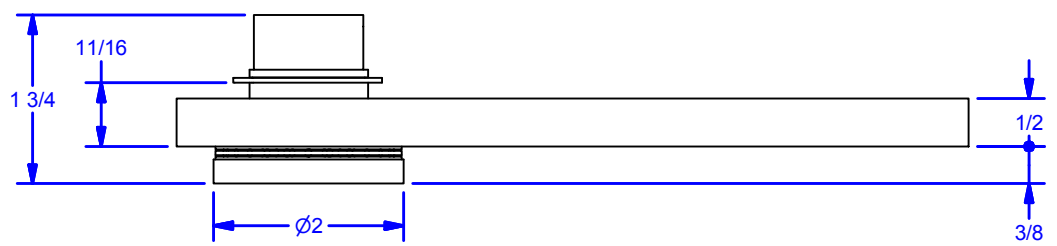


2X Countersunk Hole
For 1/2 Flat Head Fastener



#25 Two Wheel Trolley Swivel, Top Plate

#25B442SW
Swivel w/ Keeper



Minimum Door Thickness: 2-1/2"

ALL DIMENSIONS IN INCHES

THE INFORMATION CONTAINED IN THIS DRAWING IS THE SOLE PROPERTY OF CROWN INDUSTRIAL. ANY REPRODUCTION IN PART OR AS A WHOLE WITHOUT THE WRITTEN PERMISSION OF CROWN INDUSTRIAL IS PROHIBITED.	ID #:	0002111	STOCK PART #:	25B442SWTK
	MATERIAL:			
DESCRIPTION: #25 Keeper, Swivel, & Top Plate				
FINISH: Clear Zinc			# PCS:	REV:



CROWN INDUSTRIAL
So. San Francisco, Ca
(650) 952-5150
www.crown-industrial.com

DWG #: 25B442
DRAWN:BCM 10/27/2015
SHEET #4
File: 0000449.idw