

4

3

2

1

D

D

C

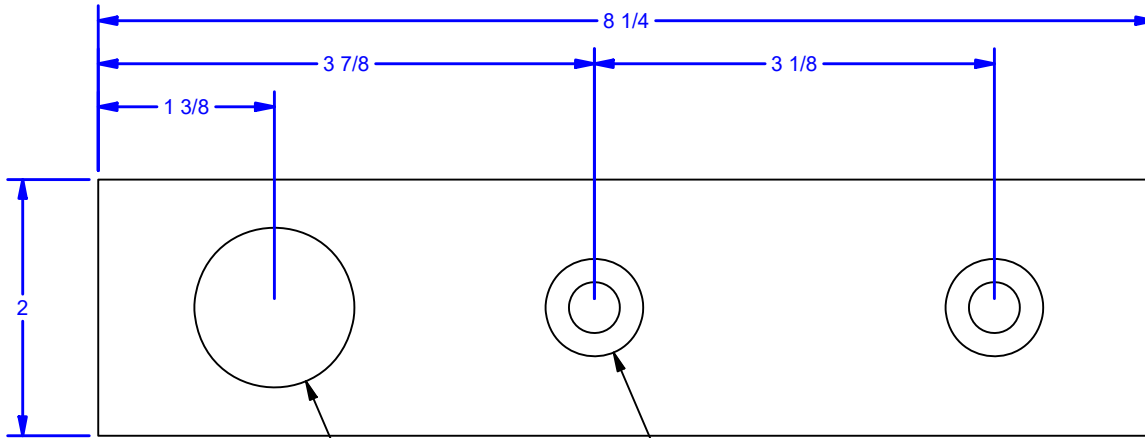
C

B

B

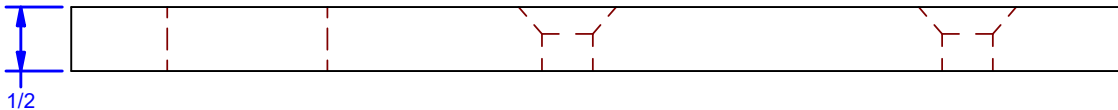
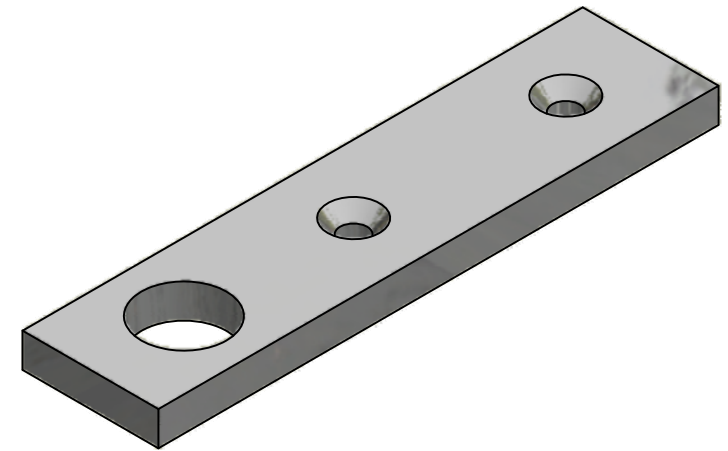
A

A



Ø1 1/4 THRU

2X Ø25/64 THRU  
C ountersink Holes  
For 3/8 Flat Head Machine Screw (82)



1/2

**Minimum Door Thickness: 2-1/2"**

ALL DIMENSIONS IN INCHES

THE INFORMATION CONTAINED IN THIS DRAWING IS THE SOLE PROPERTY OF CROWN INDUSTRIAL. ANY REPRODUCTION IN PART OR AS A WHOLE WITHOUT THE WRITTEN PERMISSION OF CROWN INDUSTRIAL IS PROHIBITED.

ID #:  
0000771

STOCK PART #:  
25B442T-ST

MATERIAL:  
Steel, Mild

DESCRIPTION:  
#25 Two Wheel Trolley Swivel, Top Plate-Steel Door

FINISH:  
Clear Zinc (Crown)

# PCS: | REV:  
| B

DWG #: 25B442  
DRAWN:BCM 3/23/2010  
SHEET #2  
File: 0000449.idw



**CROWN INDUSTRIAL**

So. San Francisco, Ca  
(650) 952-5150

www.crown-industrial.com

4

3

2

1

