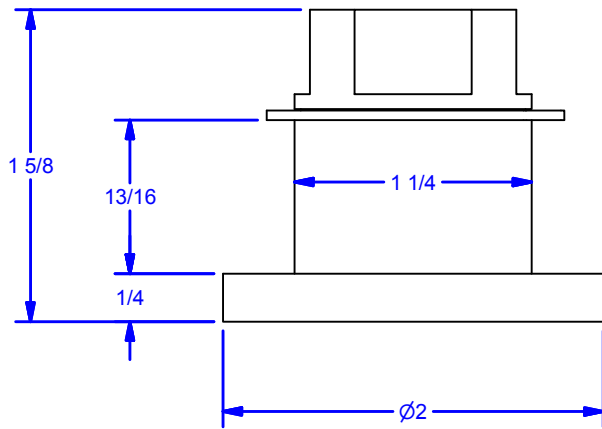
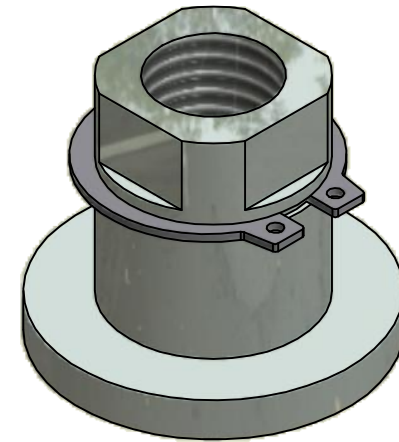


7/8-9 UNC - 2B



ALL DIMENSIONS IN INCHES

THE INFORMATION CONTAINED IN THIS DRAWING IS THE SOLE PROPERTY OF CROWN INDUSTRIAL. ANY REPRODUCTION IN PART OR AS A WHOLE WITHOUT THE WRITTEN PERMISSION OF CROWN INDUSTRIAL IS PROHIBITED.	ID #:	0002110	STOCK PART #:	25B442x116
	MATERIAL:			
DESCRIPTION: #25 SWIVEL w/ SNAP RING: two wheel trolley				
FINISH:		# PCS:	1	REV:



CROWN INDUSTRIAL

So. San Francisco, Ca
(650) 952-5150

www.crown-industrial.com

DWG #: 25B442
DRAWN:BCM 10/27/2015
SHEET #4

File: 0000449.idw