

4

3

2

1

D

D

C

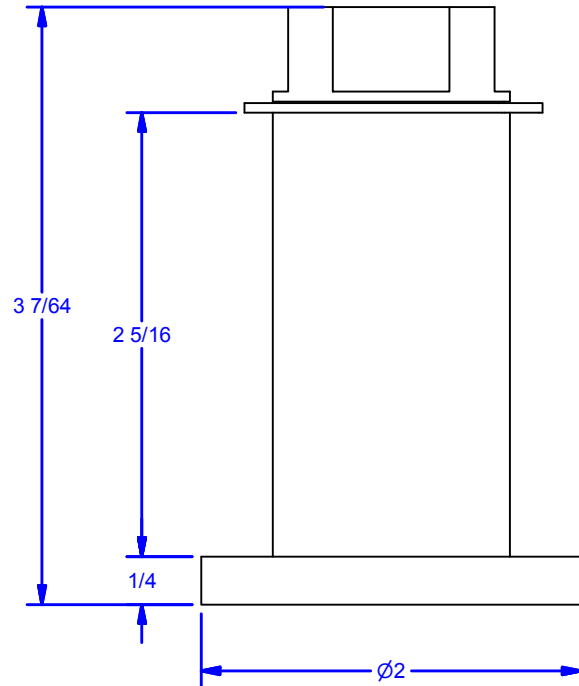
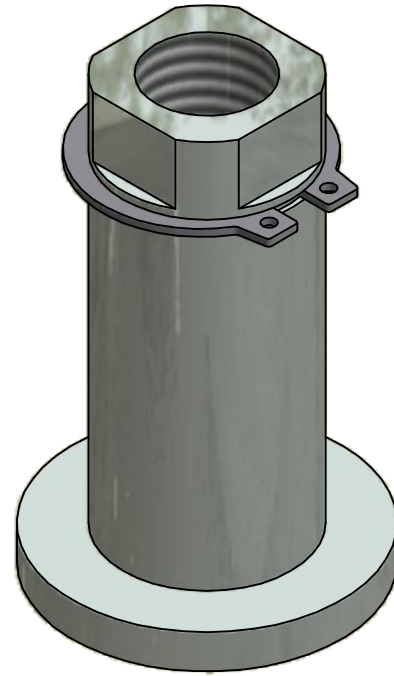
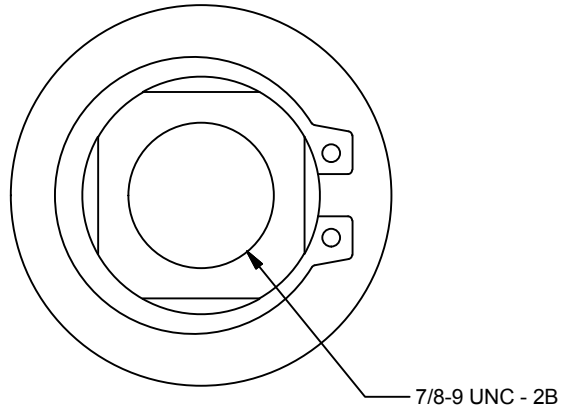
C

B

B

A

A



ALL DIMENSIONS IN INCHES

THE INFORMATION CONTAINED IN THIS DRAWING IS THE SOLE PROPERTY OF CROWN INDUSTRIAL. ANY REPRODUCTION IN PART OR AS A WHOLE WITHOUT THE WRITTEN PERMISSION OF CROWN INDUSTRIAL IS PROHIBITED.	ID #:	0002223	STOCK PART #:	25B442x116L
	MATERIAL:			
DESCRIPTION: #25 Long Swivel w/ Snap Ring: Two Wheel Trolley				
FINISH:	Clear Zinc	# PCS:	1	REV:



CROWN INDUSTRIAL
 So. San Francisco, Ca
 (650) 952-5150
www.crown-industrial.com

DWG #: 25B442
 DRAWN:BCM 2/23/2016
 SHEET #8
 File: 0000449.idw

4

3

2

1

