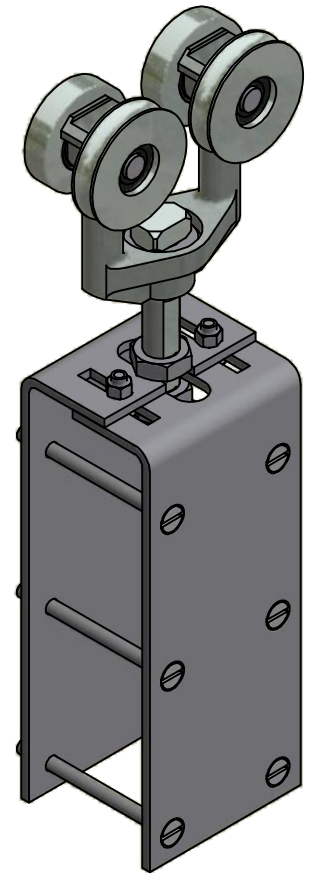
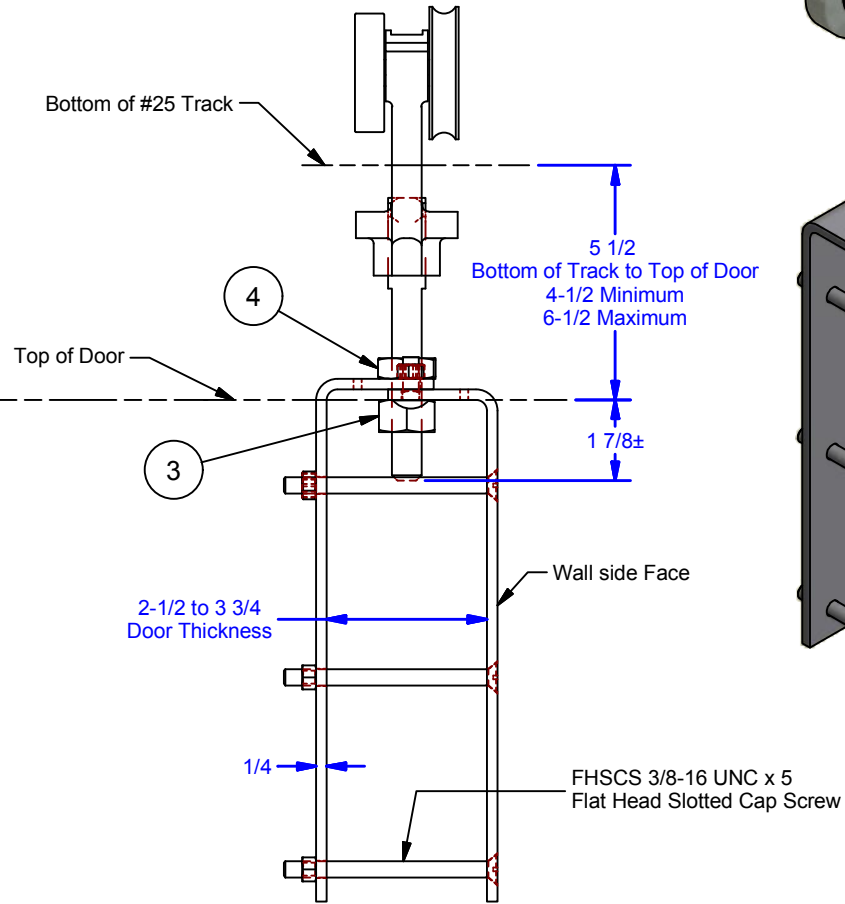
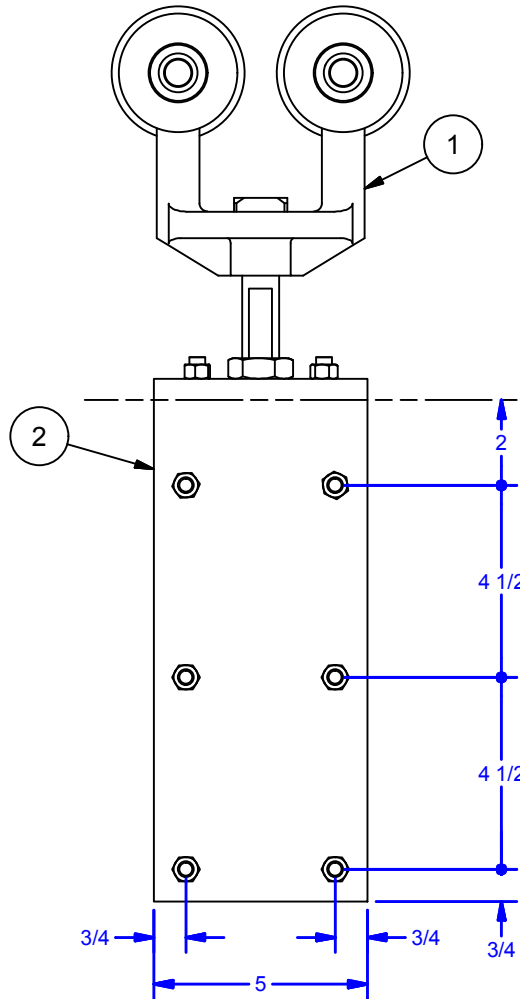


Parts List				
ITEM	QTY	ID #	DESCRIPTION	STOCK #
1	1	0000395	Truck, Ball Bearing #2500lb Capacity	25-1BSE
2	1	0000308	Apron for 25-1BSE Truck, 2-1/2" to 3 3/4" Thick Door	25A-BSE
3	1	HN 7/8 - 9 Zinc-5	Hex Nut - Grade 5, Zinc	
4	1	7/8 - 9 UNC JN	Jam Hex Nut - Grade 5, Zinc	



For manual or electrically operated sliding door up to 2,500 lbs.

- Available Finishes:
- Powder Pebble Tan
  - Powder Coat Black
  - Clear Zinc

DWG #: 25P2BSE  
 DRAWN:BCM 4/6/2015  
 SHEET #1  
 File: 0000308.idw

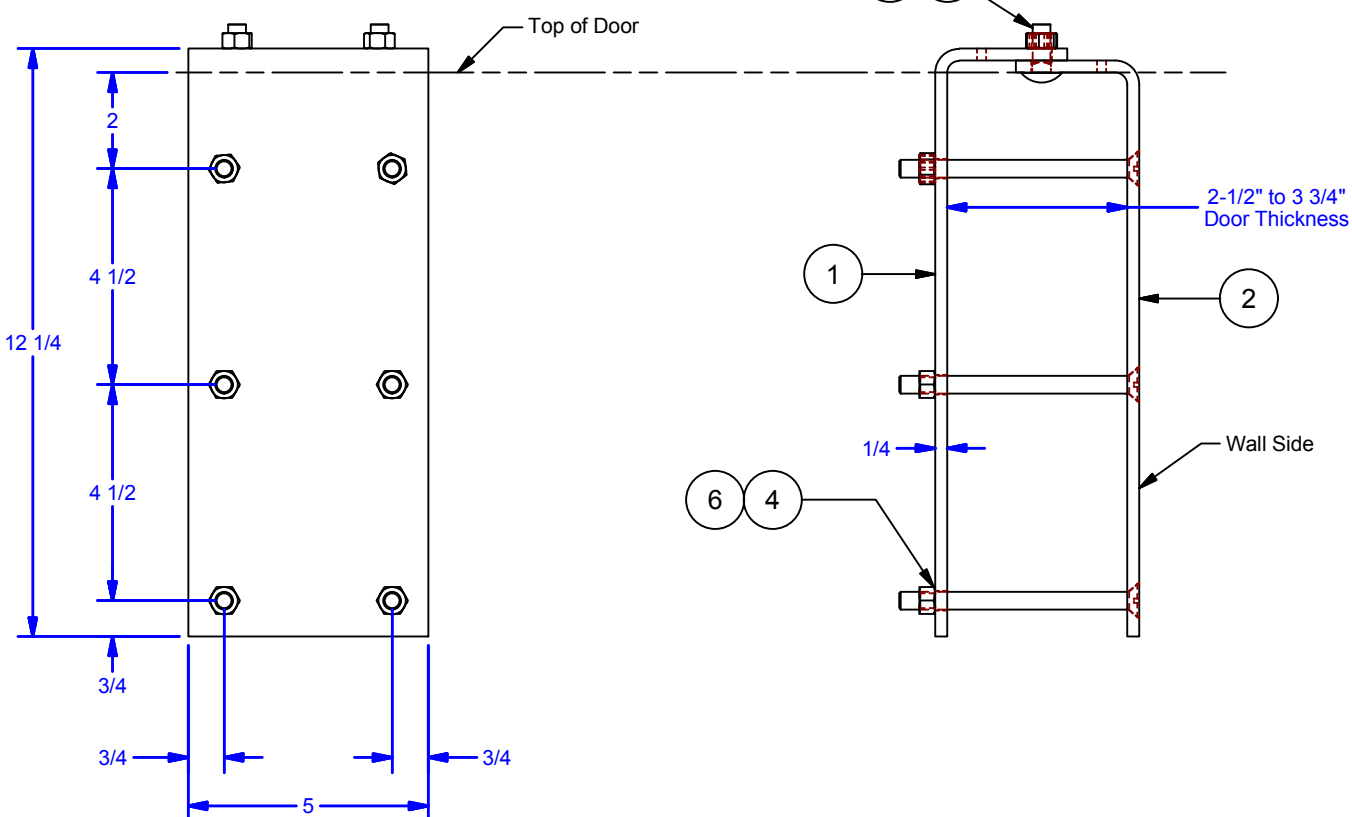
**ALL DIMENSIONS IN INCHES**

THE INFORMATION CONTAINED IN THIS DRAWING IS THE SOLE PROPERTY OF CROWN INDUSTRIAL. ANY REPRODUCTION IN PART OR AS A WHOLE WITHOUT THE WRITTEN PERMISSION OF CROWN INDUSTRIAL IS PROHIBITED.	ID #:	0001953	STOCK PART #:	25H-BSE
	MATERIAL:			
DESCRIPTION: Ball Bearing Hanger Assembly, 2-1/2" to 3-3/4", 2500 lb Capacity				
FINISH:		# PCS:	2	REV:



**CROWN INDUSTRIAL**  
 So. San Francisco, Ca  
 (650) 952-5150  
 www.crown-industrial.com

Parts List				
ITEM	QTY	PART #	DESCRIPTION	STOCK #
1	1	0000309	Apron, Front Plate	25P2A
2	1	0000310	Apron, Back Plate	25P2A
4	8	HN 3/8 - 16 Zinc-5	Hex Nut - Grade 5, Zinc	
5	2	CB3/8-16 UNC - 1 Zinc 2	Carriage Bolt - Grade 2, Zinc	
6	6	FHSCS 3/8-16 UNC x 5	Flat Head Slotted Cap Screw	



A component of #25BSE Hanger Assembly.  
 Used with the #25-1BSE Standard Truck.  
 For manual or electrically operated sliding door up to 2,500 lbs.

- Available Finishes:
- Powder Pebble Tan
  - Powder Coat Black
  - Clear Zinc

DWG #: 25P2BSE  
 DRAWN:BCM 12/8/2008  
 SHEET #2  
 File: 0000308.idw

ALL DIMENSIONS IN INCHES			
THE INFORMATION CONTAINED IN THIS DRAWING IS THE SOLE PROPERTY OF CROWN INDUSTRIAL. ANY REPRODUCTION IN PART OR AS A WHOLE WITHOUT THE WRITTEN PERMISSION OF CROWN INDUSTRIAL IS PROHIBITED.		ID #: 0000308	STOCK PART #: 25A-BSE
DESCRIPTION: Apron for 25-1BSE Truck, 2-1/2" to 3 3/4" Thick Door		MATERIAL: Steel	
FINISH:		# PCS: 2	REV: A

**CROWN INDUSTRIAL**  
 So. San Francisco, Ca  
 (650) 952-5150  
 www.crown-industrial.com