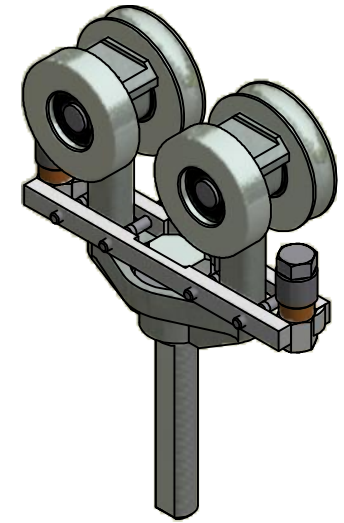
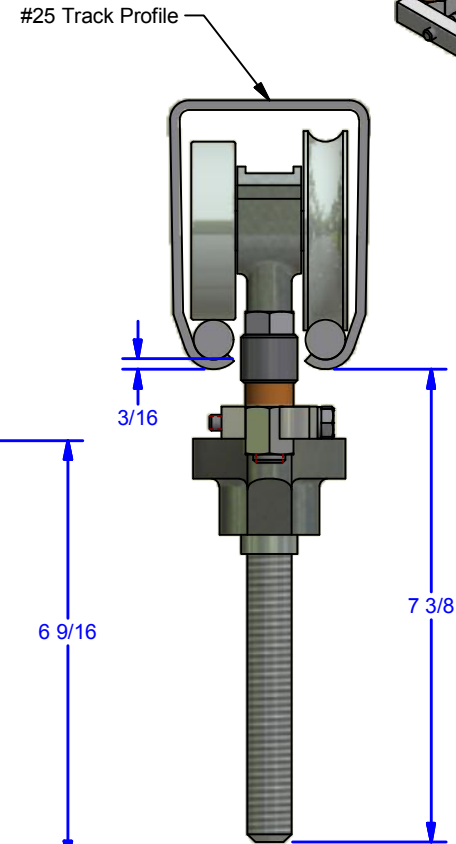
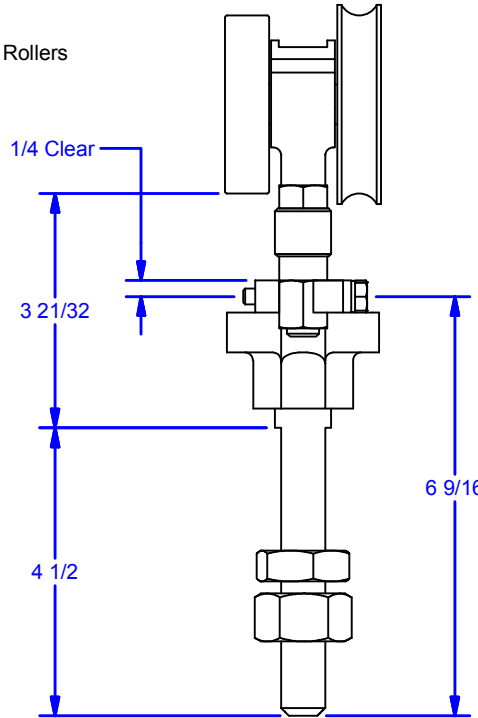
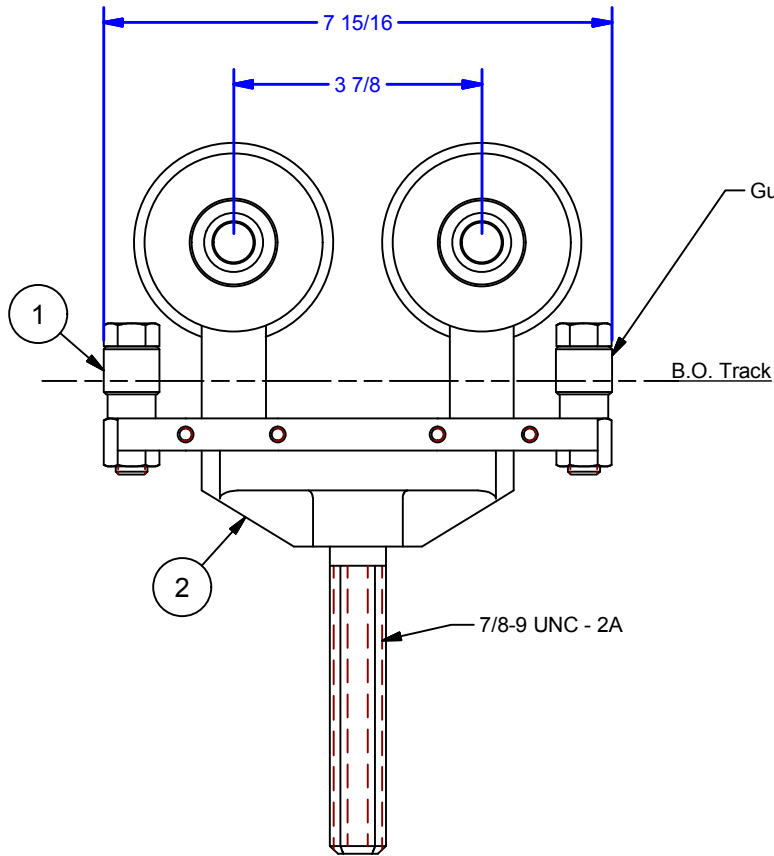


Parts List				
ITEM	QTY	PART #	DESCRIPTION	STOCK #
1	1	0000904	Lateral Guide Assy for #25-1BSE	25LG
2	1	0000395	Truck, Ball Bearing #2500lb Capacity	25-1BSE



Purpose: To minimize lateral loading on the wheels of the 25-1BSE truck. Instead the lateral load is shared with the 25LG Lateral Guide Assy.

ALL DIMENSIONS IN INCHES

THE INFORMATION CONTAINED IN THIS DRAWING IS THE SOLE PROPERTY OF CROWN INDUSTRIAL. ANY REPRODUCTION IN PART OR AS A WHOLE WITHOUT THE WRITTEN PERMISSION OF CROWN INDUSTRIAL IS PROHIBITED.

DESCRIPTION:

Lateral Guide Assy w/ #25-1BSE

FINISH:
Clear Zinc

PART #:
0000910

STOCK #:
25LG

MATERIAL:

# PCS:	1
REV:	

DWG #: 25LG
DRAWN: BCM 10/29/2010
SHEET #1
File: 0000910.idw



CROWN INDUSTRIAL

So. San Francisco, Ca
(650) 952-5150

www.crown-industrial.com