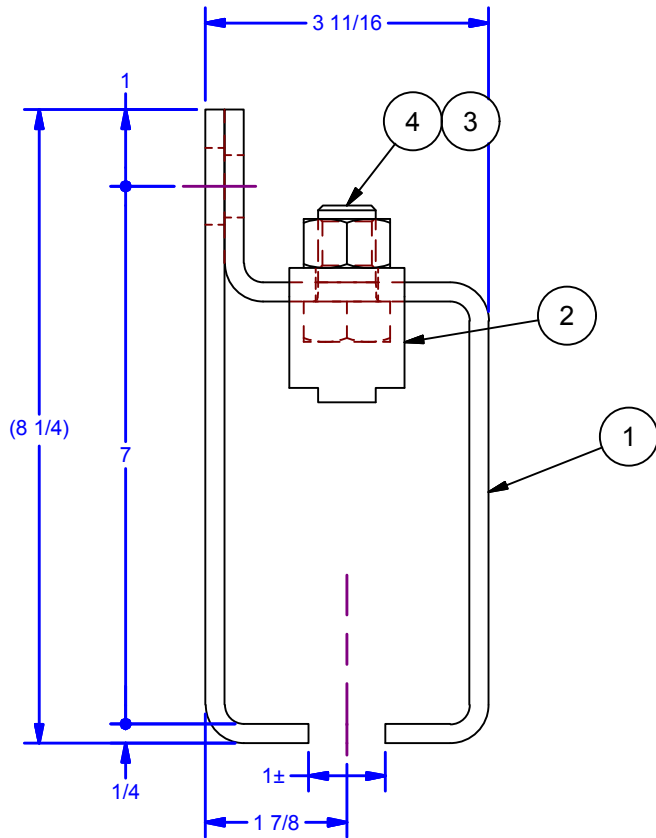
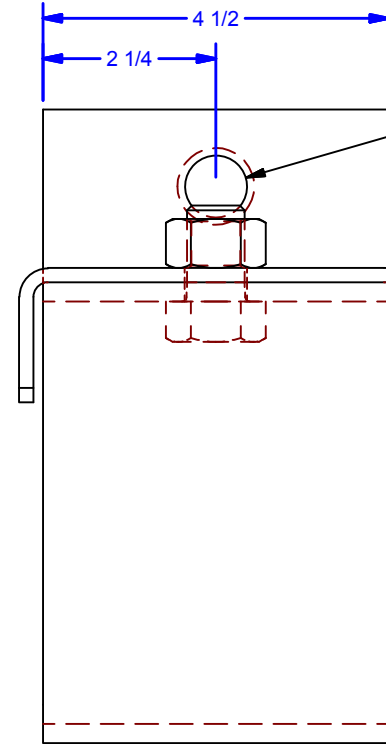


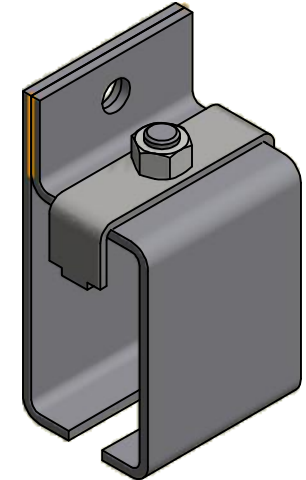
Parts List				
ITEM	QTY	PART #	DESCRIPTION	STOCK #
1	1	0000840	#25 Sidewall Center Bracket, Stainless Steel Weldment	25Sx1
2	1	0001351	Joint Bracket Clip S.S., for 25Sx39, 25Sx189	0000806SS
3	1	HN 3/4 - 10 S.S. 316-	Hex Nut - Grade , S.S. 316	
4	1	HHMB 3/4-10 UNC - 1.25 316 S.S.	Hex Head Machine Bolt -Grade 5, 316 S.S.	



**Note:**  
For Joining Two Sections of Track Together  
(in lieu of field welding tracks together)



Ø13/16 THRU  
For 3/4 Hex Head Bolt



**ALL DIMENSIONS IN INCHES**

THE INFORMATION CONTAINED IN THIS DRAWING IS THE SOLE PROPERTY OF CROWN INDUSTRIAL. ANY REPRODUCTION IN PART OR AS A WHOLE WITHOUT THE WRITTEN PERMISSION OF CROWN INDUSTRIAL IS PROHIBITED.	ID #:	0001354	STOCK PART #:	25Sx39
	MATERIAL:	304 Stainless Steel		
DESCRIPTION: #25 Sidewall Joint Center Bracket Assy, 304 S.S.				
FINISH: #2B Mill	# PCS:	1	REV:	

DWG #: 0002564  
DRAWN:BCM 1/17/2013  
SHEET #2  
File: 0002564.idw



**CROWN INDUSTRIAL**  
So. San Francisco, Ca  
(650) 952-5150  
www.crown-industrial.com