

#25x5.1BSE Cross Ear Bracket w/ Soffit Clips, Ptd.

#25 Track

Ceiling

FHP-Type F 10-24 UNC - 0.75 Zinc
Flat Head Phillips Type -F

1" x 2-1/2" x 1/8" Aluminum Soffit Cont. Angle

#25-1BSE Standard Truck

8
5 1/2

5/8-11 All-Thread

HN 5/8 - 11 Zinc-5
Hex Nut - Grade 5, Zinc

FW 5/8 - Regular - Type B zinc
Flat Washer-zinc

5 1/4

FW 5/8 - narrow - Type B zinc
Flat Washer-zinc

9
(7 15/16)

1/4

3 3/4

1/8

1 3/4

3 1/2

ALL DIMENSIONS IN INCHES

THE INFORMATION CONTAINED IN THIS DRAWING IS THE SOLE PROPERTY OF CROWN INDUSTRIAL. ANY REPRODUCTION IN PART OR AS A WHOLE WITHOUT THE WRITTEN PERMISSION OF CROWN INDUSTRIAL IS PROHIBITED.

ID #:
0002273-01

STOCK PART #:
25X5.1BSE

MATERIAL:

DESCRIPTION:

Cross Ear Bracket w. Soffit Clips for #25-1BSE Standard Truck

FINISH:

Painted

PCS. REV:



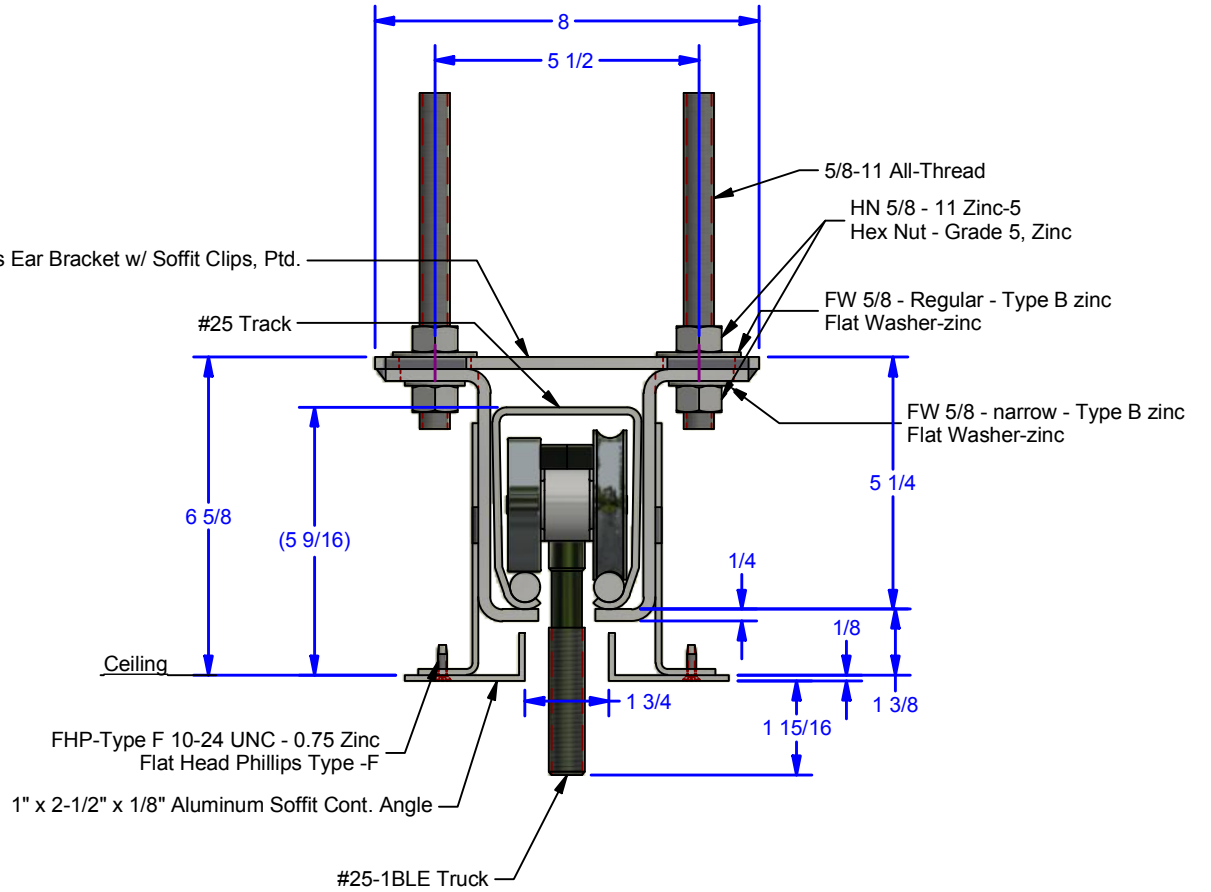
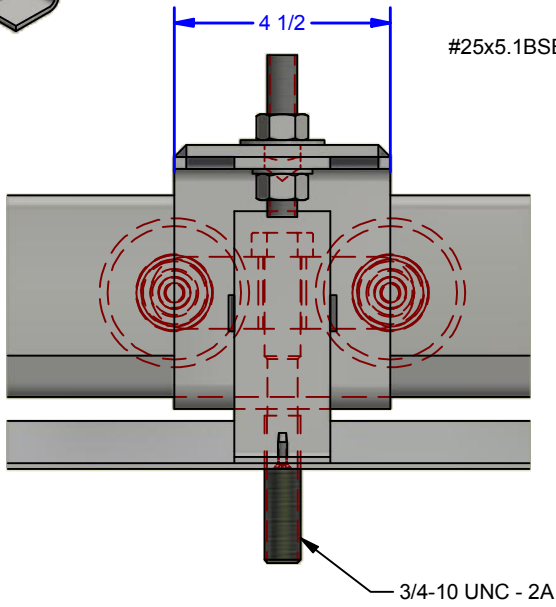
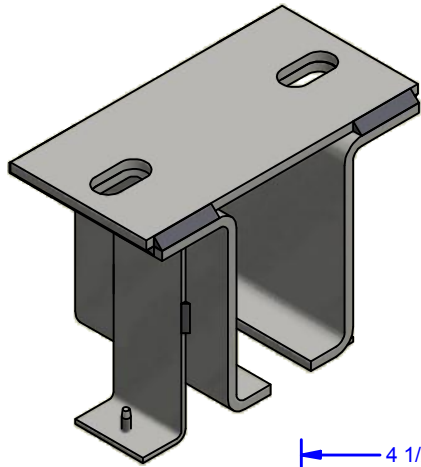
CROWN INDUSTRIAL

So. San Francisco, Ca
(650) 952-5150

www.crown-industrial.com

DWG #: 0000555
DRAWN:BCM 4/25/2016
SHEET #3

File: 0000555.idw



ALL DIMENSIONS IN INCHES

THE INFORMATION CONTAINED IN THIS DRAWING IS THE SOLE PROPERTY OF CROWN INDUSTRIAL. ANY REPRODUCTION IN PART OR AS A WHOLE WITHOUT THE WRITTEN PERMISSION OF CROWN INDUSTRIAL IS PROHIBITED.	ID #:	0002273-02	STOCK PART #:	25X5.1BLE
	MATERIAL:			
DESCRIPTION:				
Cross Ear Bracket w. Soffit Clips for #25-1BLE Low Head Truck				
FINISH:			# PCS:	REV:
Painted				



CROWN INDUSTRIAL
 So. San Francisco, Ca
 (650) 952-5150
 www.crown-industrial.com

DWG #: 0000555
 DRAWN:BCM 4/25/2016
 SHEET #4
 File: 0000555.idw