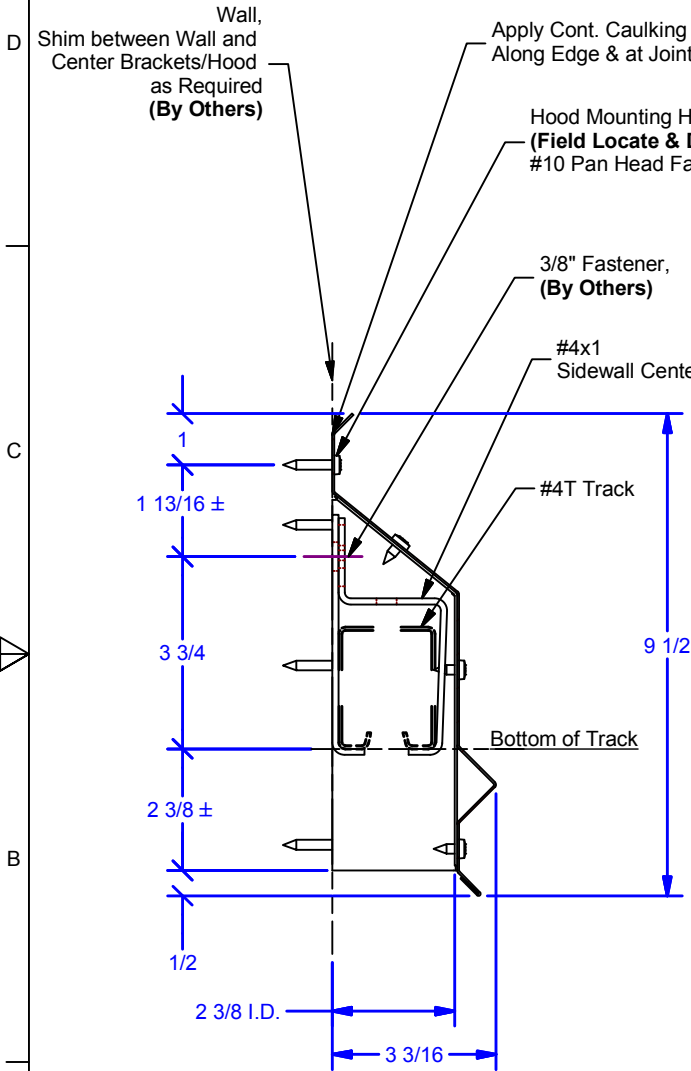


4

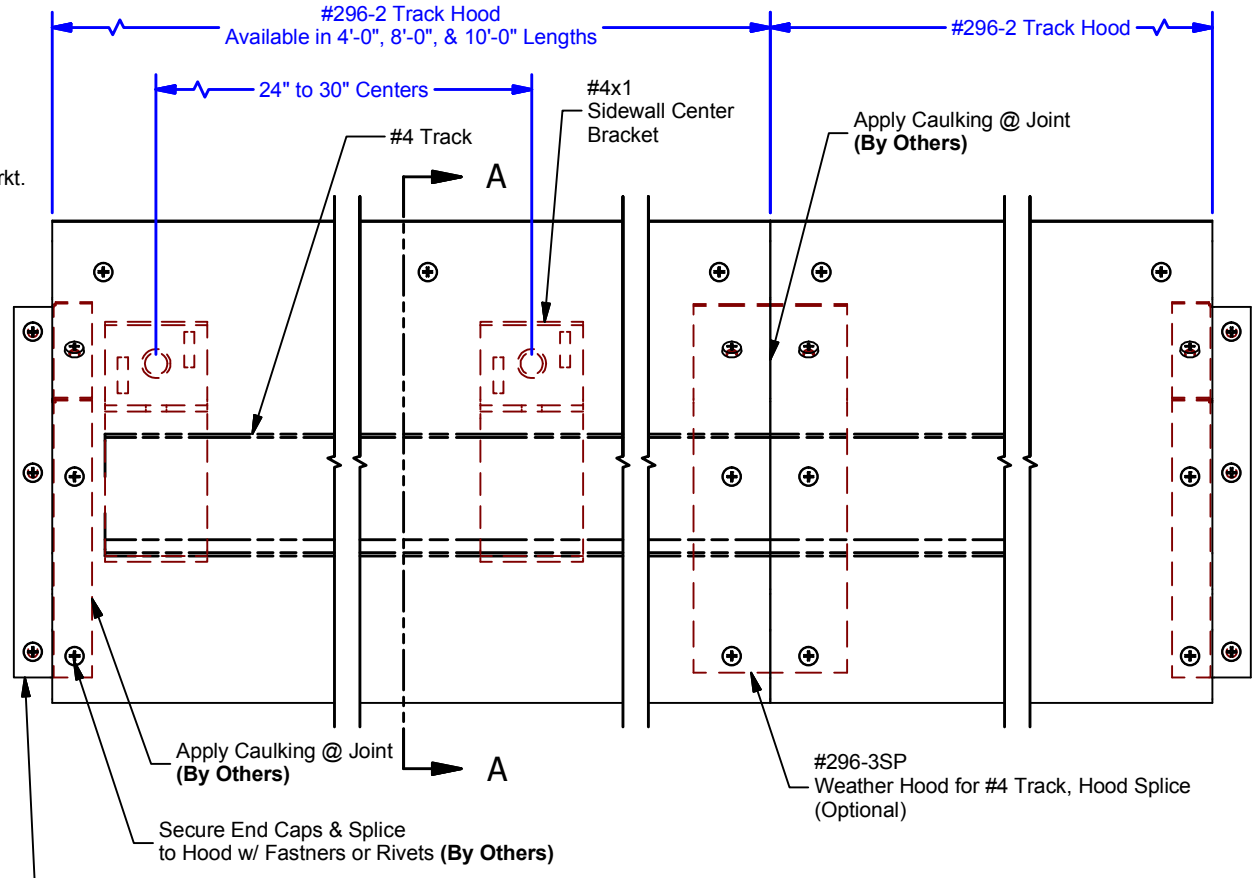
3

2

1



SECTION A-A



ELEVATION VIEW

ALL DIMENSIONS IN INCHES

THE INFORMATION CONTAINED IN THIS DRAWING IS THE SOLE PROPERTY OF CROWN INDUSTRIAL. ANY REPRODUCTION IN PART OR AS A WHOLE WITHOUT THE WRITTEN PERMISSION OF CROWN INDUSTRIAL IS PROHIBITED.	ID #:	STOCK PART #:
	0002377	296-3
MATERIAL:		
22 Ga. Galvanized		
DESCRIPTION:		
Weather Hood Assy. for #4 Track		
FINISH:	# PCS:	REV:
Galvanized		



CROWN INDUSTRIAL
 So. San Francisco, Ca
 (650) 952-5150
 www.crown-industrial.com

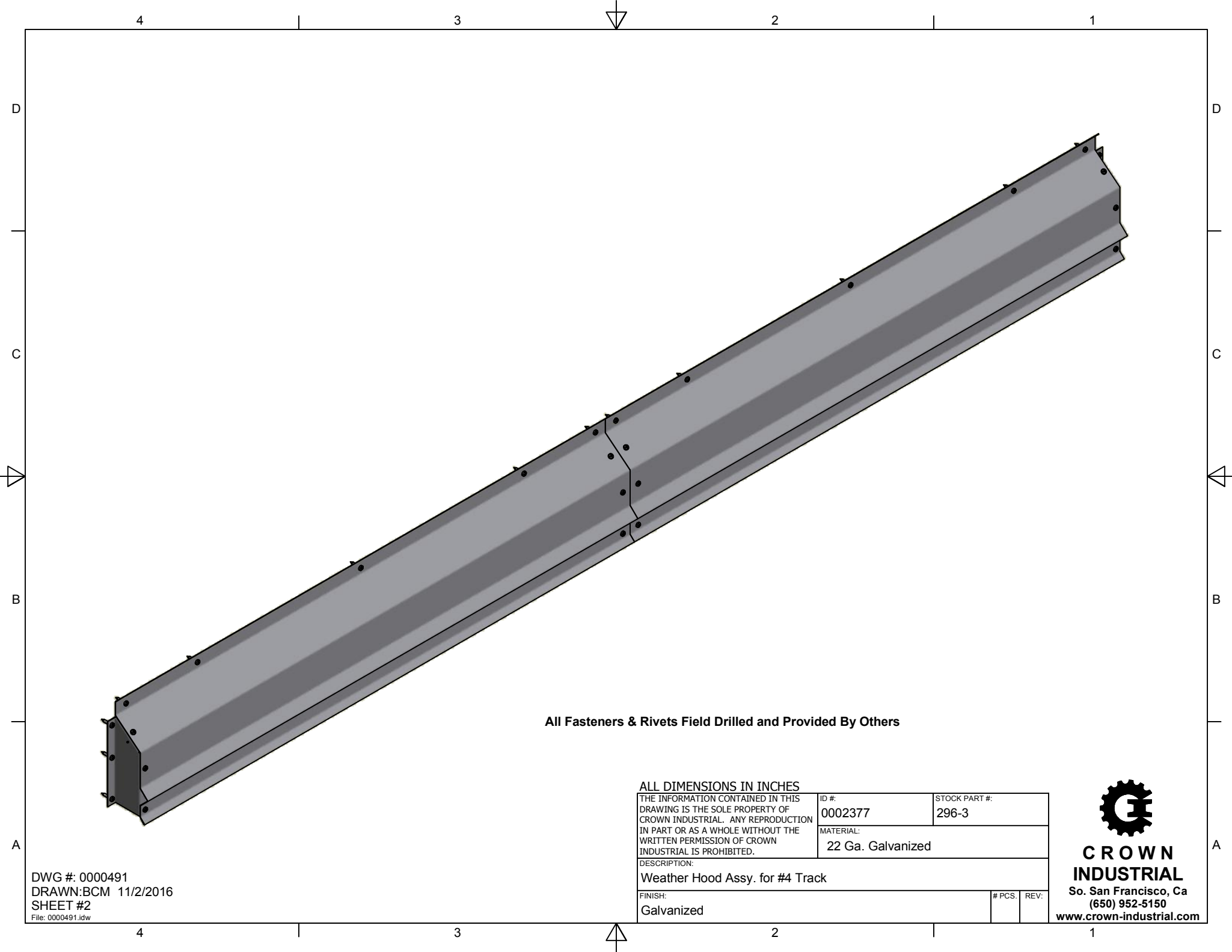
DWG #: 0000491
 DRAWN: BCM 11/2/2016
 SHEET #1
 File: 0000491.idw

4

3

2

1



All Fasteners & Rivets Field Drilled and Provided By Others

ALL DIMENSIONS IN INCHES

THE INFORMATION CONTAINED IN THIS DRAWING IS THE SOLE PROPERTY OF CROWN INDUSTRIAL. ANY REPRODUCTION IN PART OR AS A WHOLE WITHOUT THE WRITTEN PERMISSION OF CROWN INDUSTRIAL IS PROHIBITED.	ID #:	0002377	STOCK PART #:	296-3	
	MATERIAL:	22 Ga. Galvanized			
DESCRIPTION:					
Weather Hood Assy. for #4 Track					
FINISH:	Galvanized			# PCS:	REV:



CROWN INDUSTRIAL
 So. San Francisco, Ca
 (650) 952-5150
www.crown-industrial.com

DWG #: 0000491
 DRAWN:BCM 11/2/2016
 SHEET #2
 File: 0000491.idw