

4

3

2

1

D

D

C

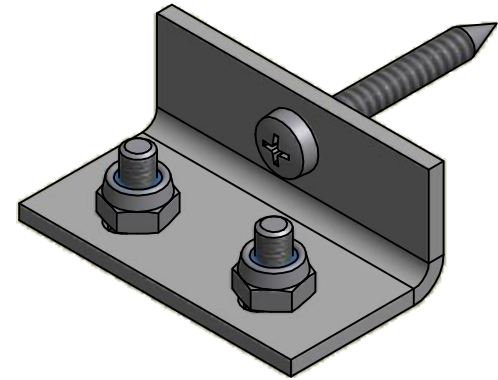
C

B

B

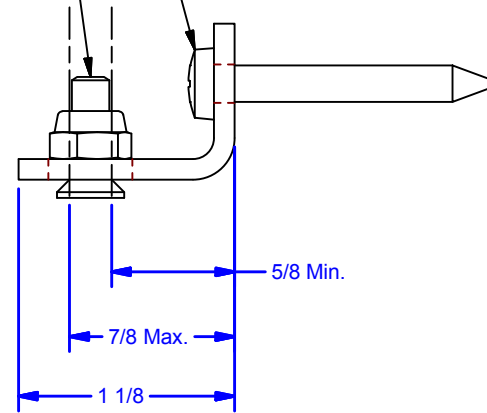
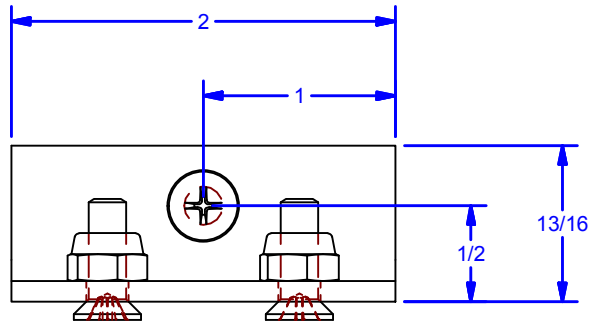
A

A



#10 x 1-1/2"
Pan Head Sheet Metal Screw

(2 ea.) IFI 513 - M5x0.8 x 16
Cross Recessed Flat Countersunk Head Machine Screw - Type I - Metric
w/ Nylon Insert Lock Nut



ALL DIMENSIONS IN INCHES

THE INFORMATION CONTAINED IN THIS DRAWING IS THE SOLE PROPERTY OF CROWN INDUSTRIAL. ANY REPRODUCTION IN PART OR AS A WHOLE WITHOUT THE WRITTEN PERMISSION OF CROWN INDUSTRIAL IS PROHIBITED.

ID #:
0002056

STOCK PART #:
2AX39

MATERIAL:

DESCRIPTION:

Sidewall Joint Bracket

FINISH:

HGS. Galvanized Steel

PCS:

1

REV:



CROWN INDUSTRIAL

So. San Francisco, Ca
(650) 952-5150

www.crown-industrial.com

DWG #: 0000448
DRAWN:BCM 7/28/2015
SHEET #3

File: 0000448.idw

4

3

2

1

