

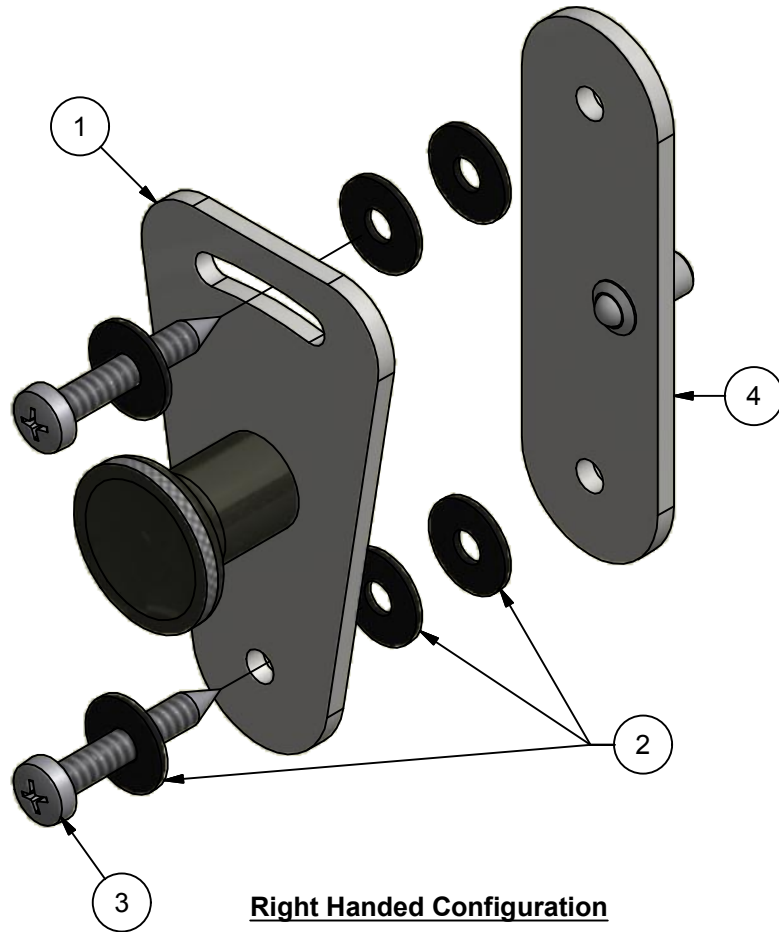
4

3

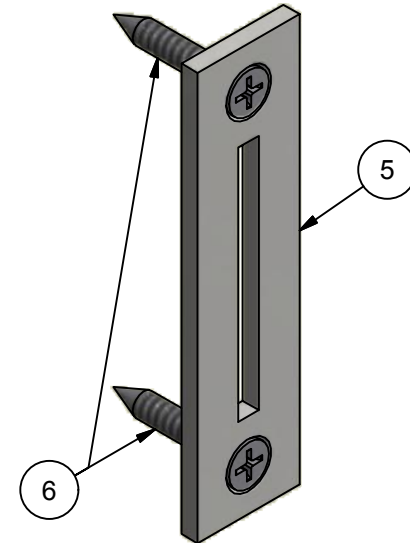
2

1

Parts List			
ITEM	QTY	PART #	DESCRIPTION
1	1	0002046-1	Latch Plate
2	6	0002049	Black Nylon Flat Washer
3	2	PHPSMS No. 10-16 - 1 1/4	Pan Head Phillips Sheet Metal Screw
4	2	0002047-1	Back Plate



Parts List			
ITEM	QTY	PART #	DESCRIPTION
5	1	0002045	3001 Strike Plate
6	2	FHPSMS No. 8-18 x 1 Zinc	Flat Head Phillips Sheet Metal Screw



**Purpose:** A privacy lock for a sliding door that can be mounted to a door or door jamb.  
 Right hand application as shown, for left handed applications, rotate the back plate 180 degrees from the illustration.  
 Screws included for mounting to wood.

**ALL DIMENSIONS IN INCHES**

THE INFORMATION CONTAINED IN THIS DRAWING IS THE SOLE PROPERTY OF CROWN INDUSTRIAL. ANY REPRODUCTION IN PART OR AS A WHOLE WITHOUT THE WRITTEN PERMISSION OF CROWN INDUSTRIAL IS PROHIBITED.	ID #:	0002048-1	STOCK PART #:	3001
	MATERIAL:			
DESCRIPTION: Privacy Latch				
FINISH: Black Zinc or Stainless Steel w/ #4 Fin			# PCS:	1
			REV:	



**CROWN  
INDUSTRIAL**

So. San Francisco, Ca  
(650) 952-5150

[www.crown-industrial.com](http://www.crown-industrial.com)

DWG #: 3001  
 DRAWN: BCM 7/24/2015  
 SHEET #1

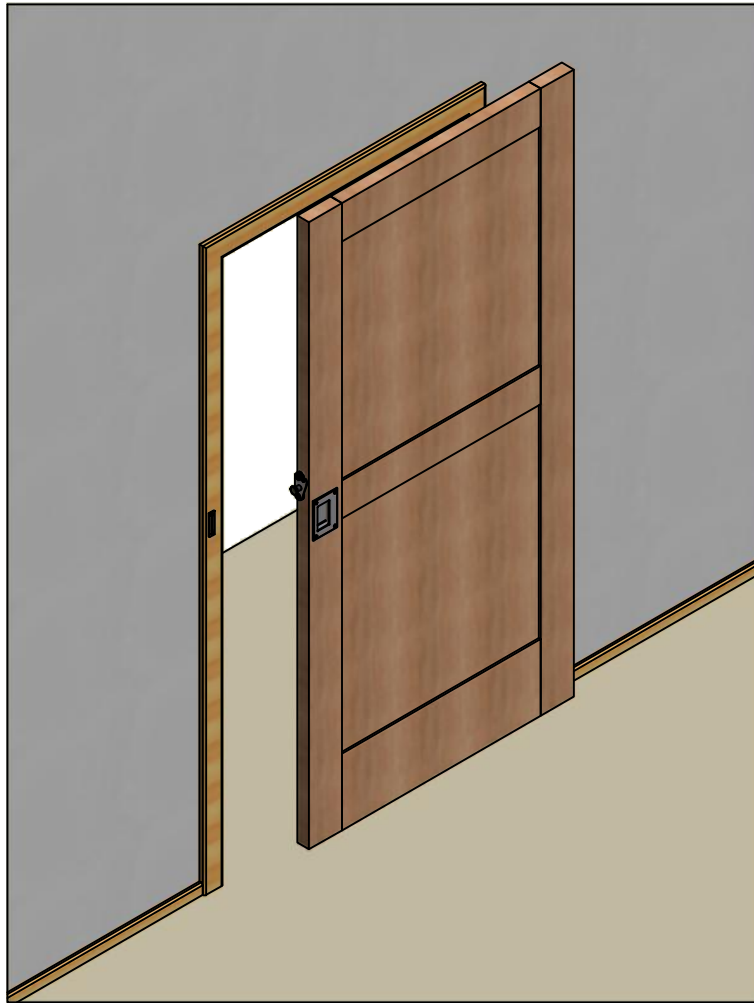
File: 0002054.idw

4

3

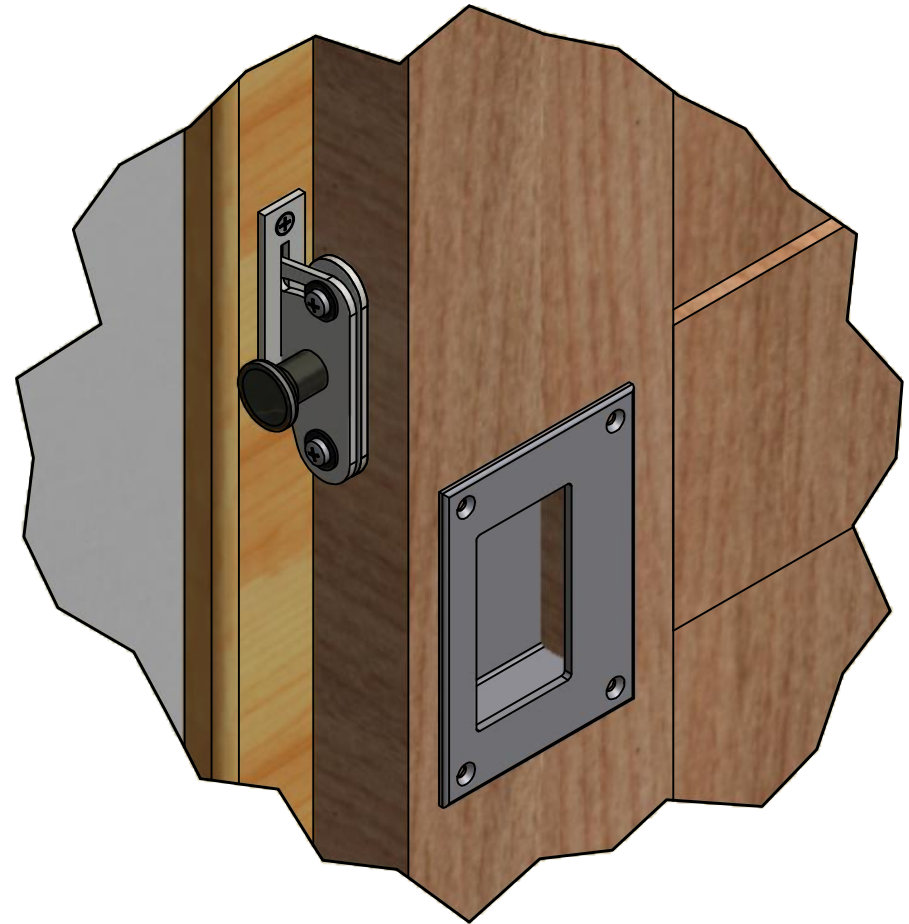
2

1



**Door Mounted Latch: Unlocked, Right Hand**

**Note:** Ball Detent holds latch open to prevent it from accidentally latching close.  
**For emergency access:** slide something thin upward and between the door and the jamb to release the latch.



**ALL DIMENSIONS IN INCHES**

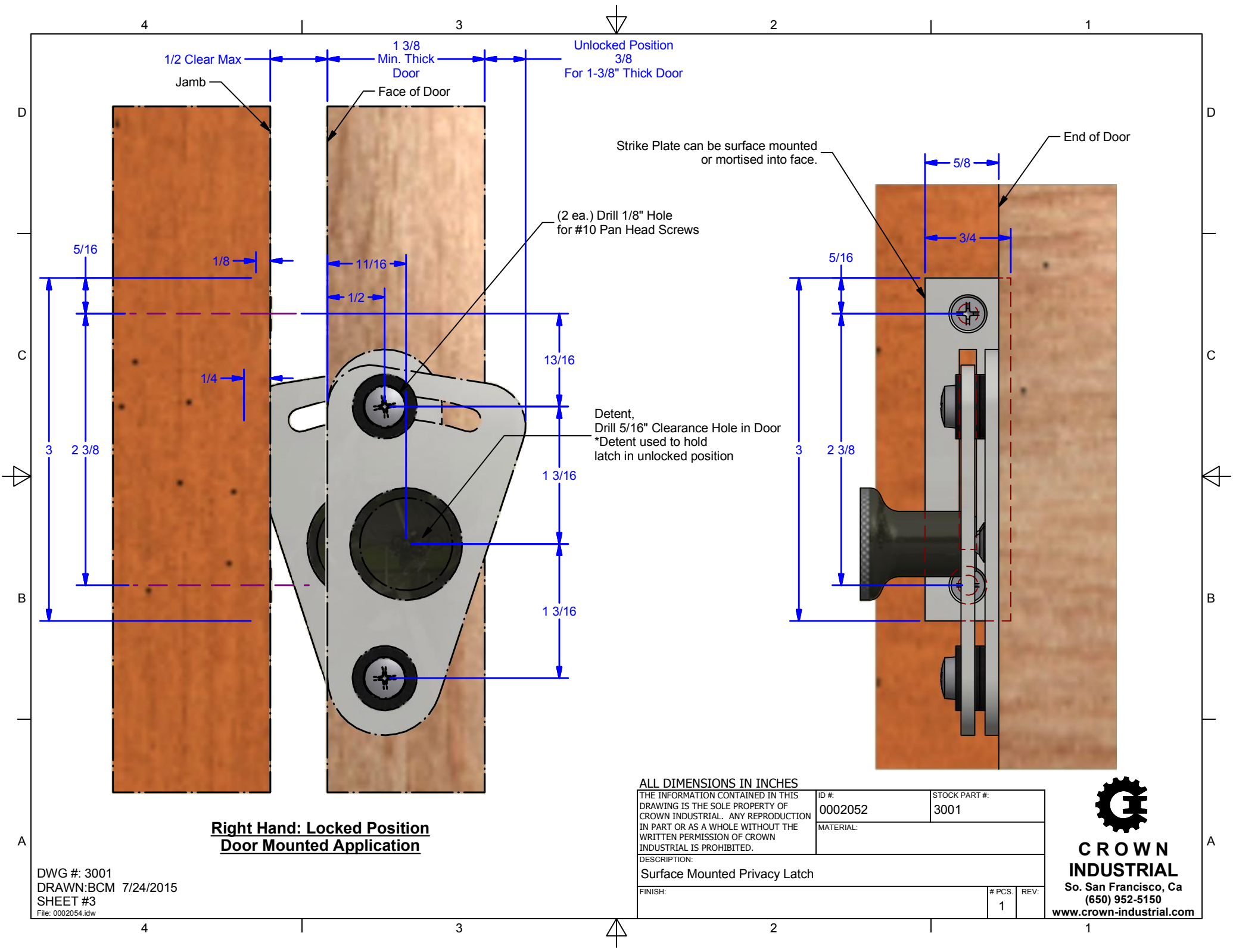
THE INFORMATION CONTAINED IN THIS DRAWING IS THE SOLE PROPERTY OF CROWN INDUSTRIAL. ANY REPRODUCTION IN PART OR AS A WHOLE WITHOUT THE WRITTEN PERMISSION OF CROWN INDUSTRIAL IS PROHIBITED.	ID #:	0002064	STOCK PART #:	3001
	MATERIAL:			
DESCRIPTION:				
Privacy Latch				
FINISH:			# PCS:	REV:
			1	



**CROWN INDUSTRIAL**

So. San Francisco, Ca  
 (650) 952-5150

[www.crown-industrial.com](http://www.crown-industrial.com)



**Right Hand: Locked Position  
Door Mounted Application**

DWG #: 3001  
 DRAWN:BCM 7/24/2015  
 SHEET #3  
 File: 0002054.idw

ALL DIMENSIONS IN INCHES

THE INFORMATION CONTAINED IN THIS DRAWING IS THE SOLE PROPERTY OF CROWN INDUSTRIAL. ANY REPRODUCTION IN PART OR AS A WHOLE WITHOUT THE WRITTEN PERMISSION OF CROWN INDUSTRIAL IS PROHIBITED.	ID #: 0002052	STOCK PART #: 3001
DESCRIPTION: Surface Mounted Privacy Latch		
FINISH:	# PCS: 1	REV:



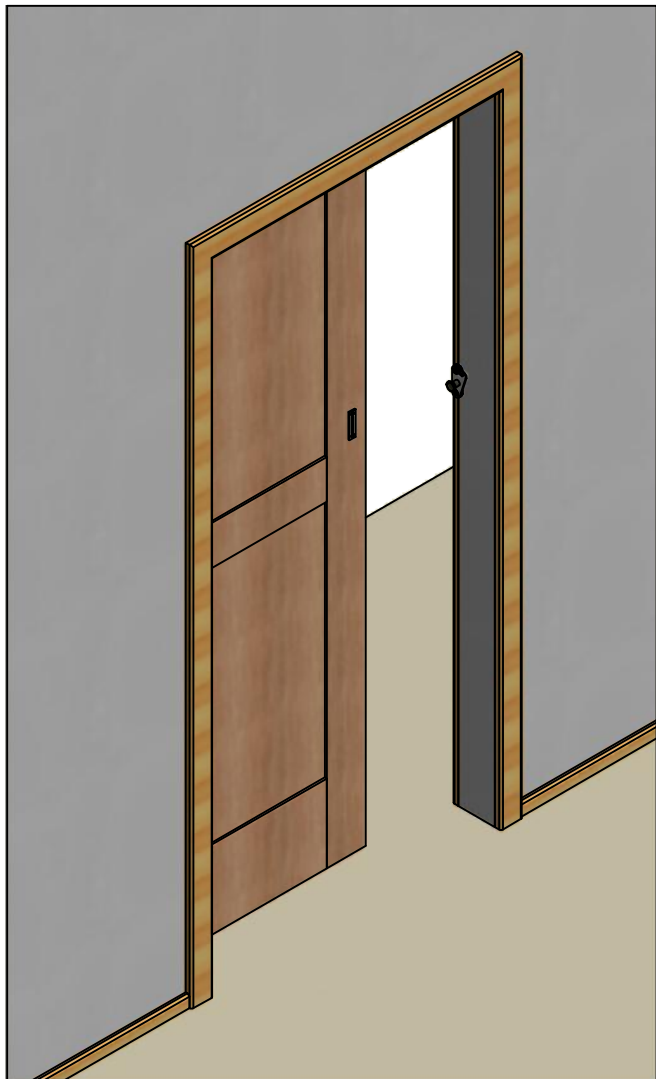
**CROWN INDUSTRIAL**  
 So. San Francisco, Ca  
 (650) 952-5150  
 www.crown-industrial.com

4

3

2

1



**Jamb Mounted Latch: Unlocked, Right Hand**

**Note:** Ball Detent holds latch open to prevent it from accidentally latching close.  
 For emergency access: slide something thin upward and between the door and the jamb to release the latch.

DWG #: 3001  
 DRAWN:BCM 8/18/2015  
 SHEET #4  
 File: 0002054.idw

**ALL DIMENSIONS IN INCHES**

THE INFORMATION CONTAINED IN THIS DRAWING IS THE SOLE PROPERTY OF CROWN INDUSTRIAL. ANY REPRODUCTION IN PART OR AS A WHOLE WITHOUT THE WRITTEN PERMISSION OF CROWN INDUSTRIAL IS PROHIBITED.	ID #:	0002064	STOCK PART #:	3001
	MATERIAL:			
DESCRIPTION:				
Privacy Latch				
FINISH:			# PCS:	REV:
			1	



**CROWN INDUSTRIAL**  
 So. San Francisco, Ca  
 (650) 952-5150  
 www.crown-industrial.com

4

3

2

1

4

3

2

1

D

D

C

C

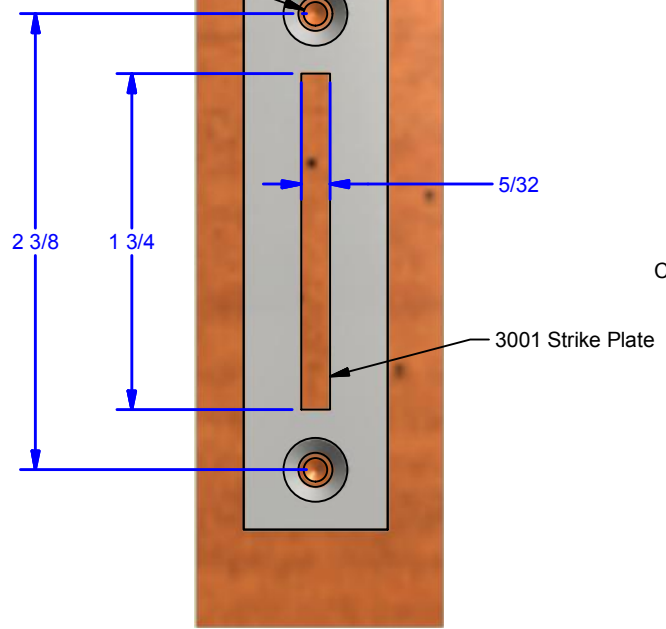
B

B

A

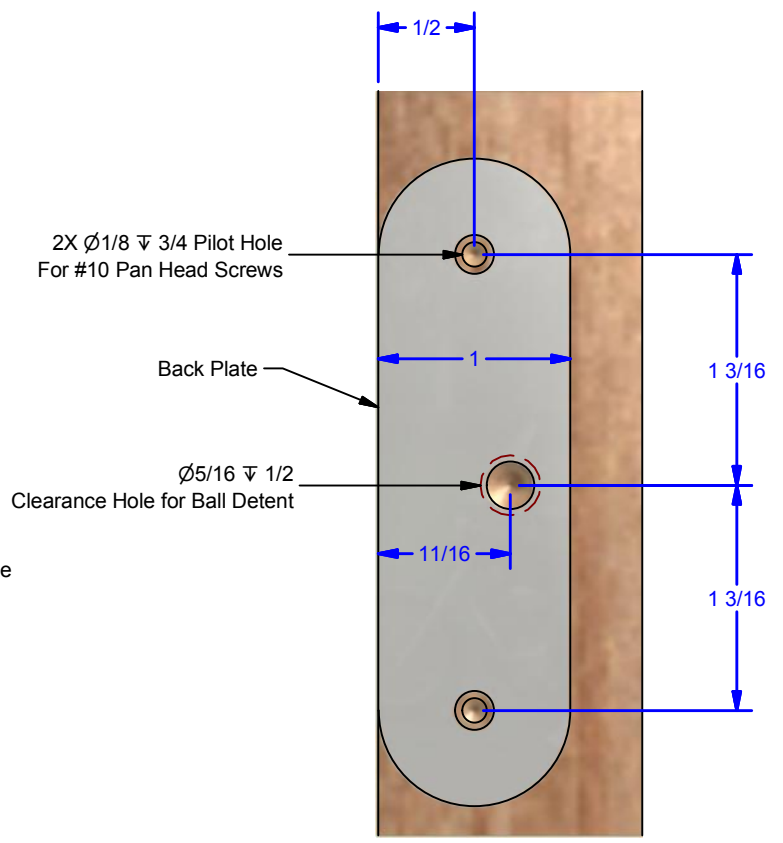
A

2X  $\varnothing 1/8$   $\nabla$   $3/4$  Pilot Hole  
For #8 Pan Head Screws



**Drilling Template for Strike Plate**

2X  $\varnothing 1/8$   $\nabla$   $3/4$  Pilot Hole  
For #10 Pan Head Screws



**Drilling Template for Latch (Right Hand)**

Note: It is critical to drill all holes perpendicular to mounting face to ensure the latch will lay properly.

DWG #: 3001  
DRAWN:BCM 7/24/2015  
SHEET #5  
File: 0002054.idw

**ALL DIMENSIONS IN INCHES**

THE INFORMATION CONTAINED IN THIS DRAWING IS THE SOLE PROPERTY OF CROWN INDUSTRIAL. ANY REPRODUCTION IN PART OR AS A WHOLE WITHOUT THE WRITTEN PERMISSION OF CROWN INDUSTRIAL IS PROHIBITED.	ID #:	0002052	STOCK PART #:	3001
	MATERIAL:			
DESCRIPTION: Surface Mounted Privacy Latch				
FINISH:			# PCS:	1
			REV:	



**CROWN INDUSTRIAL**  
So. San Francisco, Ca  
(650) 952-5150  
www.crown-industrial.com

4

3

2

1

