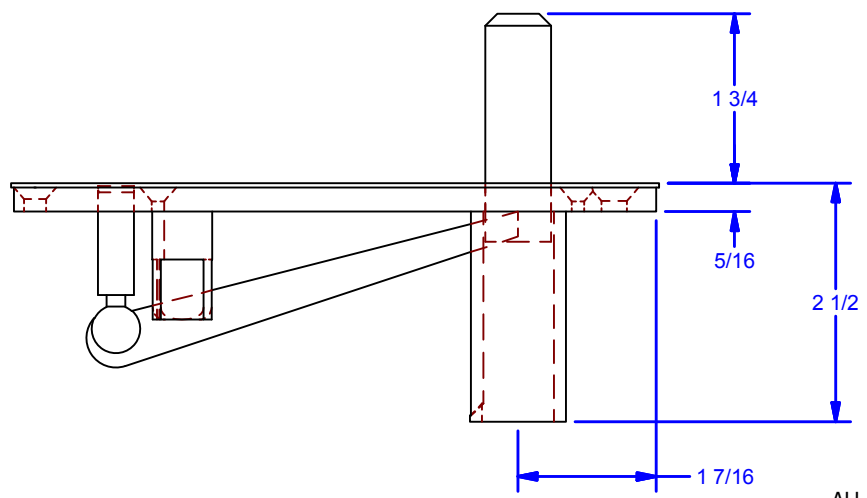
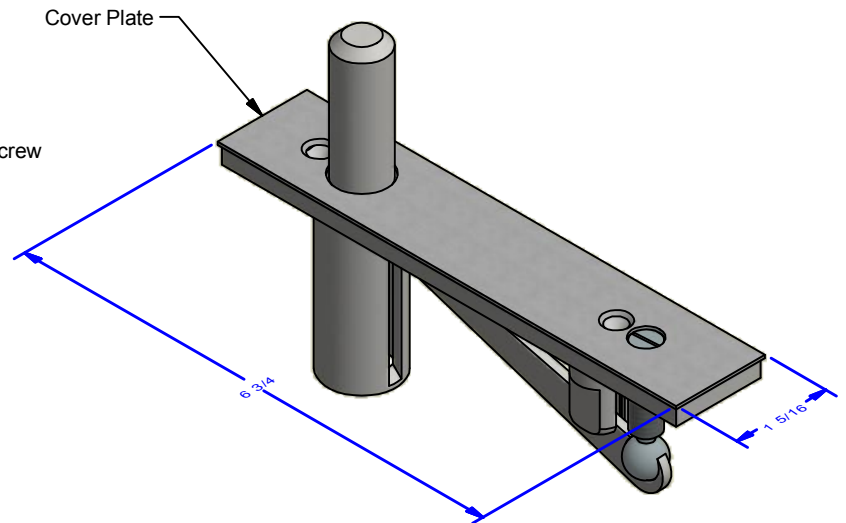


Plan View: With Cover Plate Removed



ALL DIMENSIONS IN INCHES

THE INFORMATION CONTAINED IN THIS DRAWING IS THE SOLE PROPERTY OF CROWN INDUSTRIAL. ANY REPRODUCTION IN PART OR AS A WHOLE WITHOUT THE WRITTEN PERMISSION OF CROWN INDUSTRIAL IS PROHIBITED.	ID #:	0002200	STOCK PART #:	335x25TP-626
	MATERIAL:			
DESCRIPTION: Top Pivot Door Assembly, Heavy Duty				
FINISH: US26D			# PCS:	1
			REV:	



CROWN INDUSTRIAL
So. San Francisco, Ca
(650) 952-5150
www.crown-industrial.com