

4

3

2

1

D

D

C

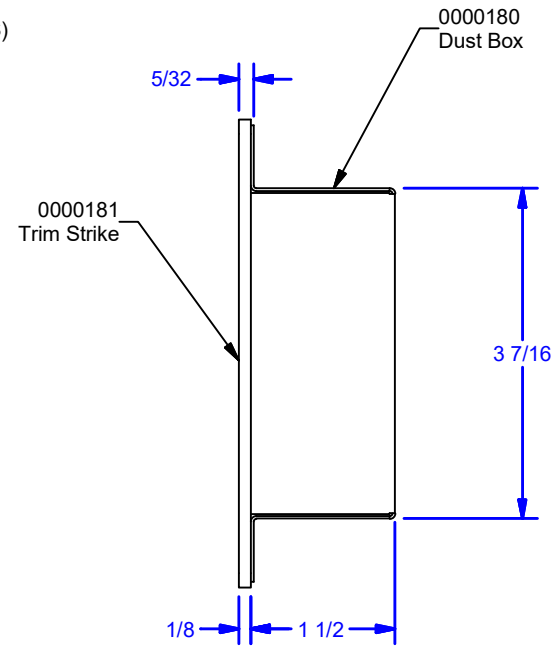
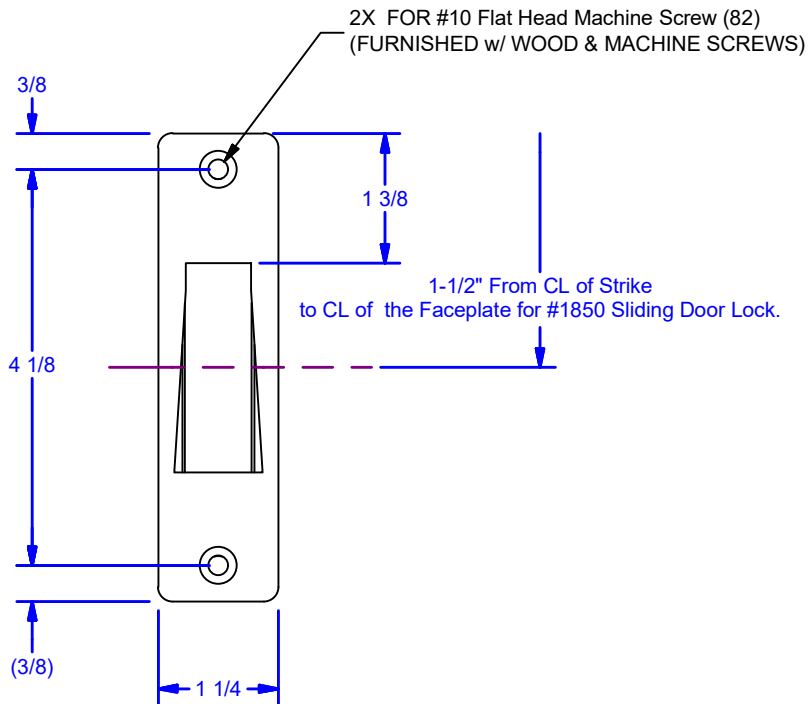
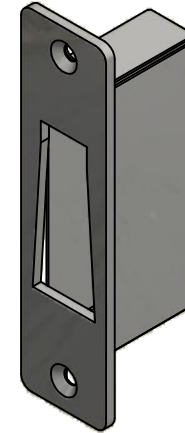
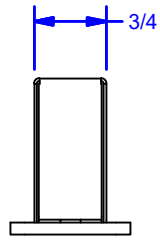
C

B

B

A

A



Typically Used for Wood Jambs/Doors to Prevent Sawdust from Entering Strike.
Stocked in 626 (US28) Anodized Finish.
Available in 313 & 335 Anodized Finishes.

DWG #: 1850
DRAWN: BCM 8/6/2002
SHEET #3
File: 0000184.idw

ALL DIMENSIONS IN INCHES

THE INFORMATION CONTAINED IN THIS DRAWING IS THE SOLE PROPERTY OF CROWN INDUSTRIAL. ANY REPRODUCTION IN PART OR AS A WHOLE WITHOUT THE WRITTEN PERMISSION OF CROWN INDUSTRIAL IS PROHIBITED.	ID #:	STOCK PART #:
	0000179	4001
DESCRIPTION:		
Strike Box for 1850 Lock		
FINISH:	# PCS:	REV:
313, 335, 628		



CROWN INDUSTRIAL

So. San Francisco, Ca
(650) 952-5150

www.crown-industrial.com

4

3

2

1

