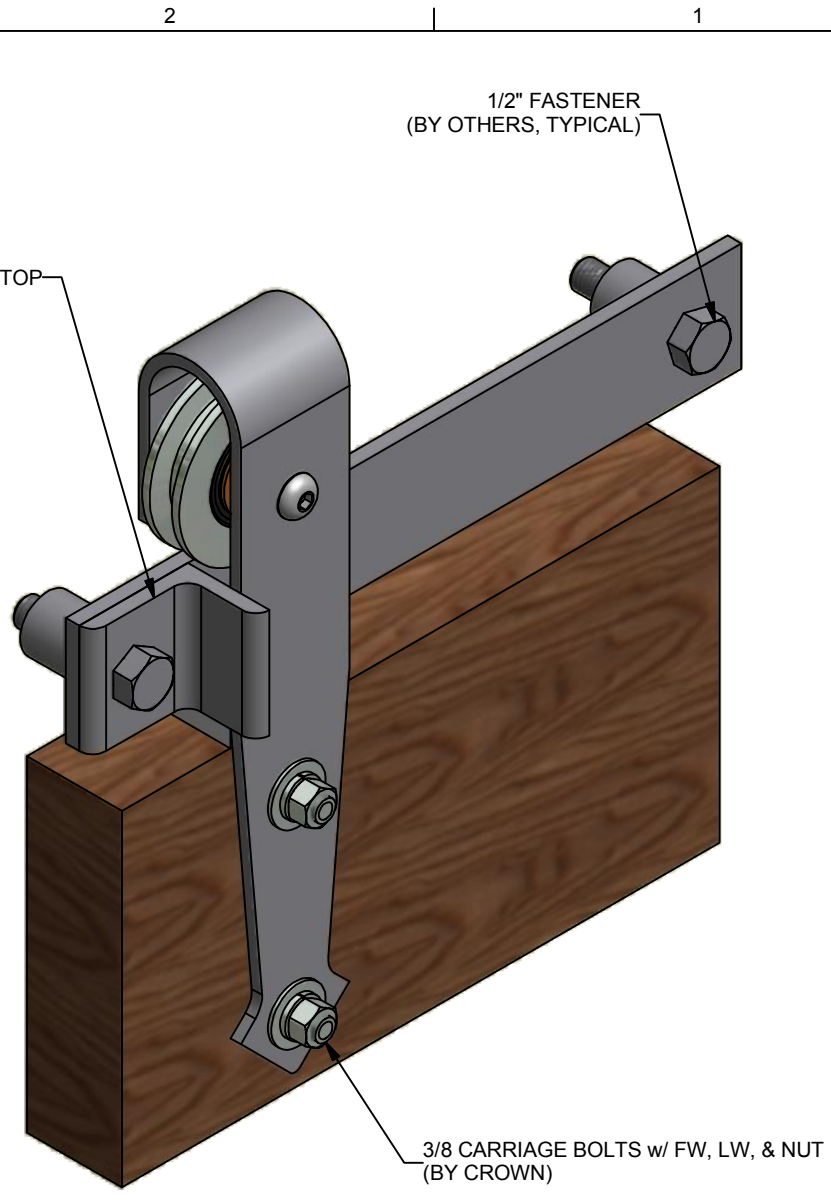


BACK/WALLSIDE VIEW



FRONT VIEW

NOTE: ALL WALLSPACERS MUST COME IN DIRECT CONTACT WITH SOLID BLOCKING

ALL DIMENSIONS IN INCHES

THE INFORMATION CONTAINED IN THIS DRAWING IS THE SOLE PROPERTY OF CROWN INDUSTRIAL. ANY REPRODUCTION IN PART OR AS A WHOLE WITHOUT THE WRITTEN PERMISSION OF CROWN INDUSTRIAL IS PROHIBITED.

DESCRIPTION:

#43 "DECORATIVE" FLAT TRACK ASSEMBLY

FINISH:

Specify

PART #:	0000316	STOCK #:	43DEC
MATERIAL:			

# PCS:	2	REV:	
--------	---	------	--



CROWN INDUSTRIAL

So. San Francisco, Ca
(650) 952-5150

www.crown-industrial.com

DWG #: 43H
DRAWN: BCM 12/15/2008
SHEET #2

File: 0000316.idw