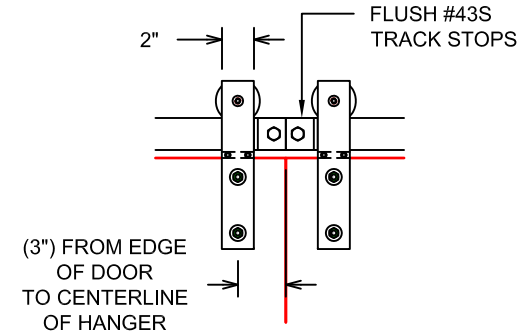
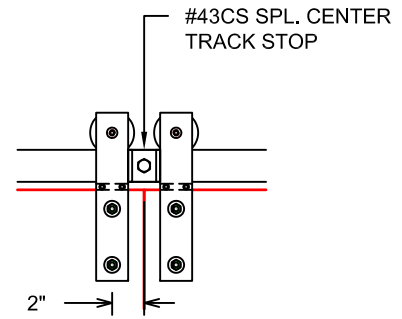


**DETAIL A**



**DETAIL B**



**DETAIL C**

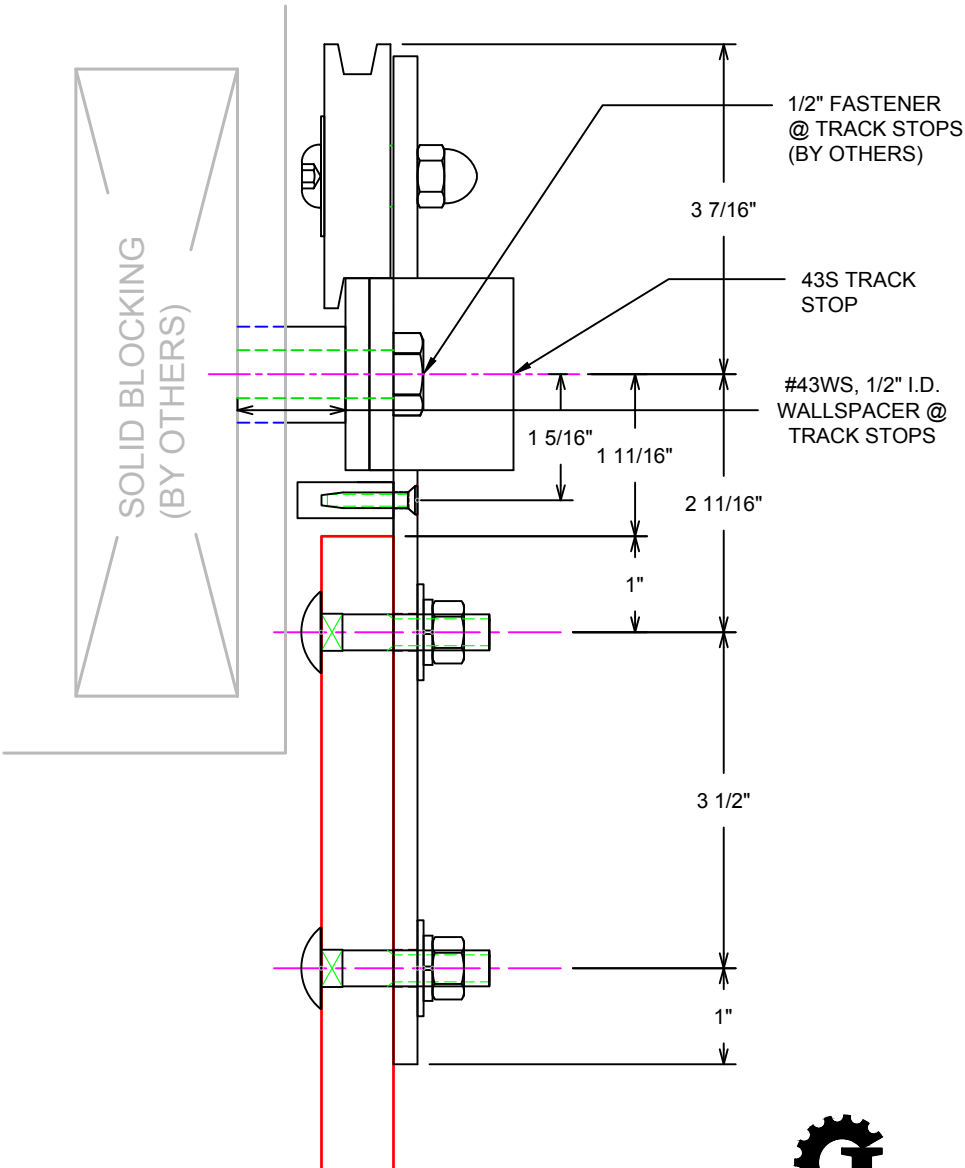
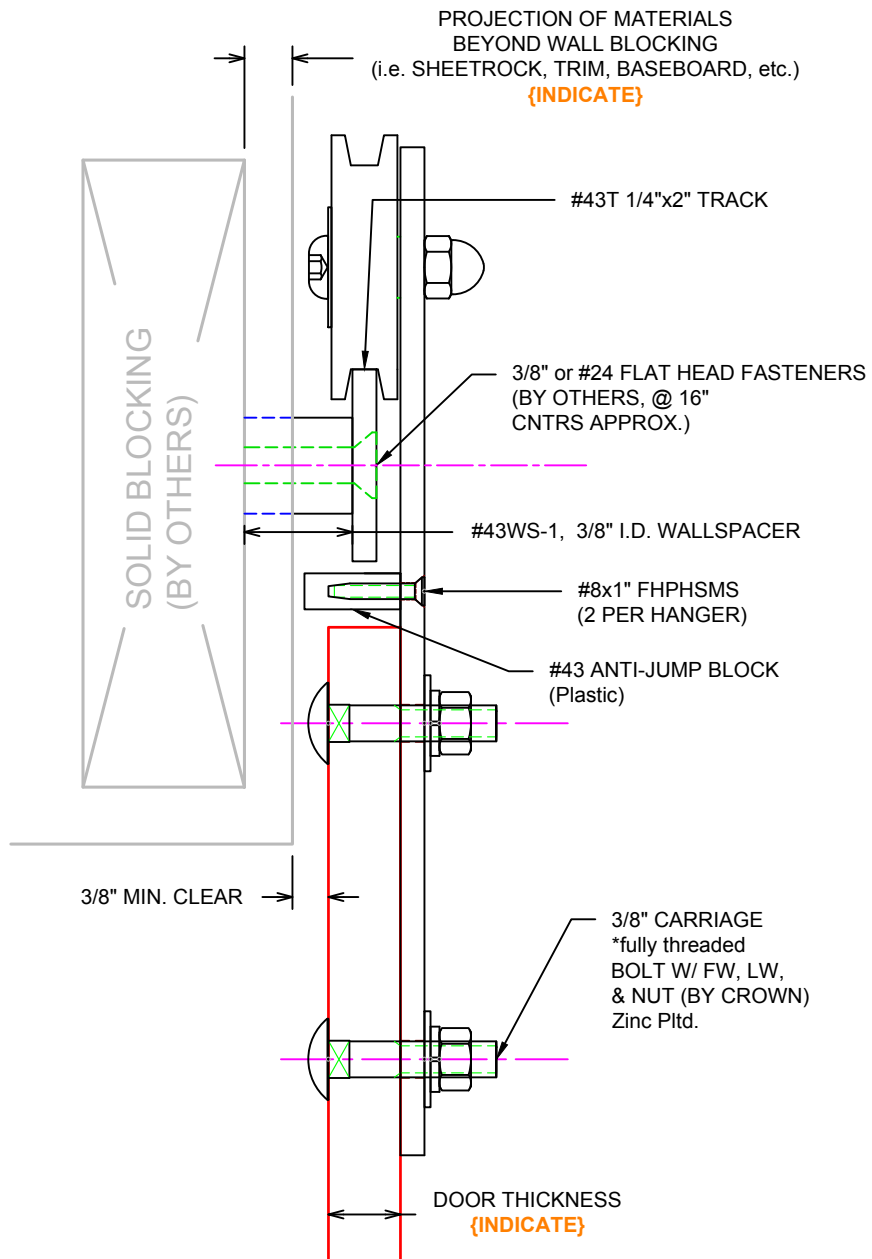
- INDICATE:**
1. OPENING WIDTH:
  2. DOOR WIDTH:
  3. DOOR THICKNESS:
  4. FROM THE EDGE OF THE DOOR TO THE CENTERLINE OF THE FLAT TRACK HANGER:
  5. PROJECTION OF MATERIALS BEYOND WALL BLOCKING: (FOR WALL SPACER LENGTH- SEE SHEET 2)
  6. FIELD OR FACTORY DRILL TRACK MOUNTING HOLES:

43 FLAT TRACK  
 DESCRIPT: Flat Track Elevation - 43H-0 Biparting (400LB CAPACITY)  
 DRAWN:BCM 10-23-09  
 SCALE: NONE  
 SHEET # 1  
 FILE:z:\engineering\hardware\43flat\flat track template\flat track customer template 10-23-09

THE INFORMATION CONTAINED IN THIS DRAWING IS THE SOLE PROPERTY OF CROWN INDUSTRIAL. ANY REPRODUCTION IN PART OR AS A WHOLE WITHOUT WRITTEN PERMISSION OF CROWN INDUSTRIAL IS PROHIBITED.

**CROWN INDUSTRIAL**  
 So. San Francisco, Ca  
 (650) 952-5150  
 www.crown-industrial.com

REVISIONS			
REV.	DESCRIPTION	DATE	APPROVED



43 FLAT TRACK  
DESCRIP: 43H/43DEC-0 Flat Track Head Section  
DRAWN:BCM 10-23-09 REV:-----  
SCALE: NONE  
SHEET # 2

FILE: \\crown-fs\main\engineering\hardware\43flat\flat track template\flat track customer template 10-23-09

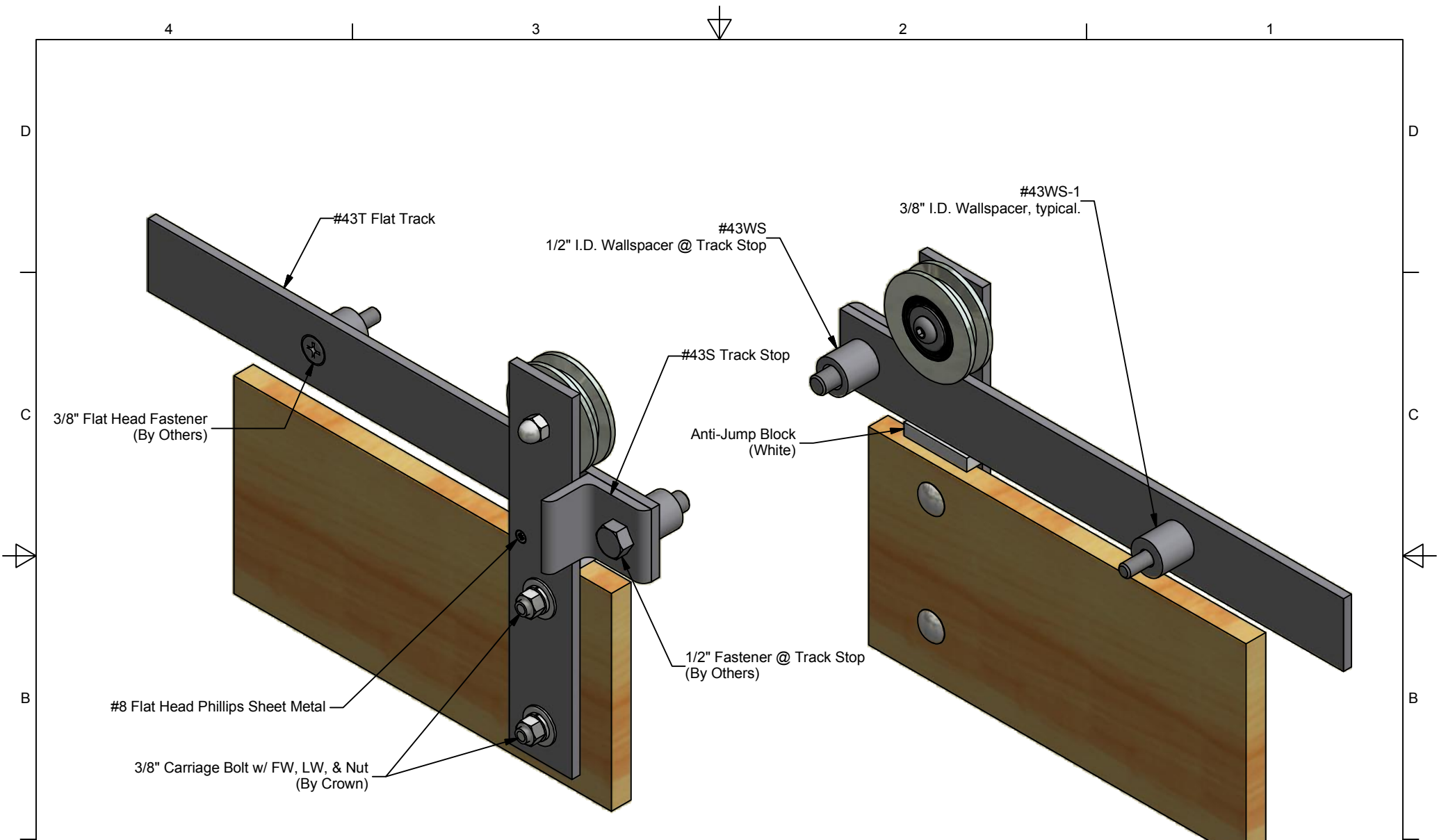
THE INFORMATION CONTAINED IN THIS DRAWING IS THE SOLE PROPERTY OF CROWN INDUSTRIAL. ANY REPRODUCTION IN PART OR AS A WHOLE WITHOUT WRITTEN PERMISSION OF CROWN INDUSTRIAL IS PROHIBITED.



**CROWN  
INDUSTRIAL**

So. San Francisco, Ca  
(650) 952-5150

www.crown-industrial.com



**FRONT VIEW**

**BACK/WALLSIDE VIEW**

**NOTE: ALL WALLSPACERS MUST COME IN DIRECT CONTACT WITH SOLID BLOCKING**

**ALL DIMENSIONS IN INCHES**

THE INFORMATION CONTAINED IN THIS DRAWING IS THE SOLE PROPERTY OF CROWN INDUSTRIAL. ANY REPRODUCTION IN PART OR AS A WHOLE WITHOUT THE WRITTEN PERMISSION OF CROWN INDUSTRIAL IS PROHIBITED.	ID #:	STOCK PART #:
	0000087-01	43H0
MATERIAL:		
DESCRIPTION:		
Flat Track Hanger (1/4" to 1-1/4" Door Thickness)		
FINISH:	# PCS:	REV:
Specify	2	



**CROWN INDUSTRIAL**  
 So. San Francisco, Ca  
 (650) 952-5150  
[www.crown-industrial.com](http://www.crown-industrial.com)

DWG #: 43H  
 DRAWN: BCM 2/12/2007  
 SHEET #4  
 File: 0000316.idw