

4

3

2

1

D

D

C

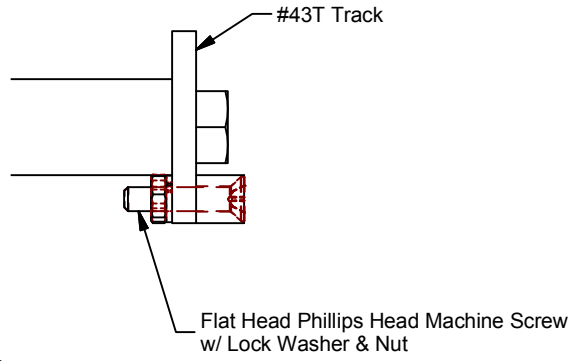
C

B

B

A

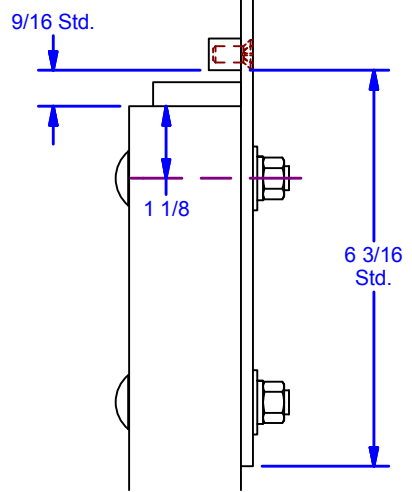
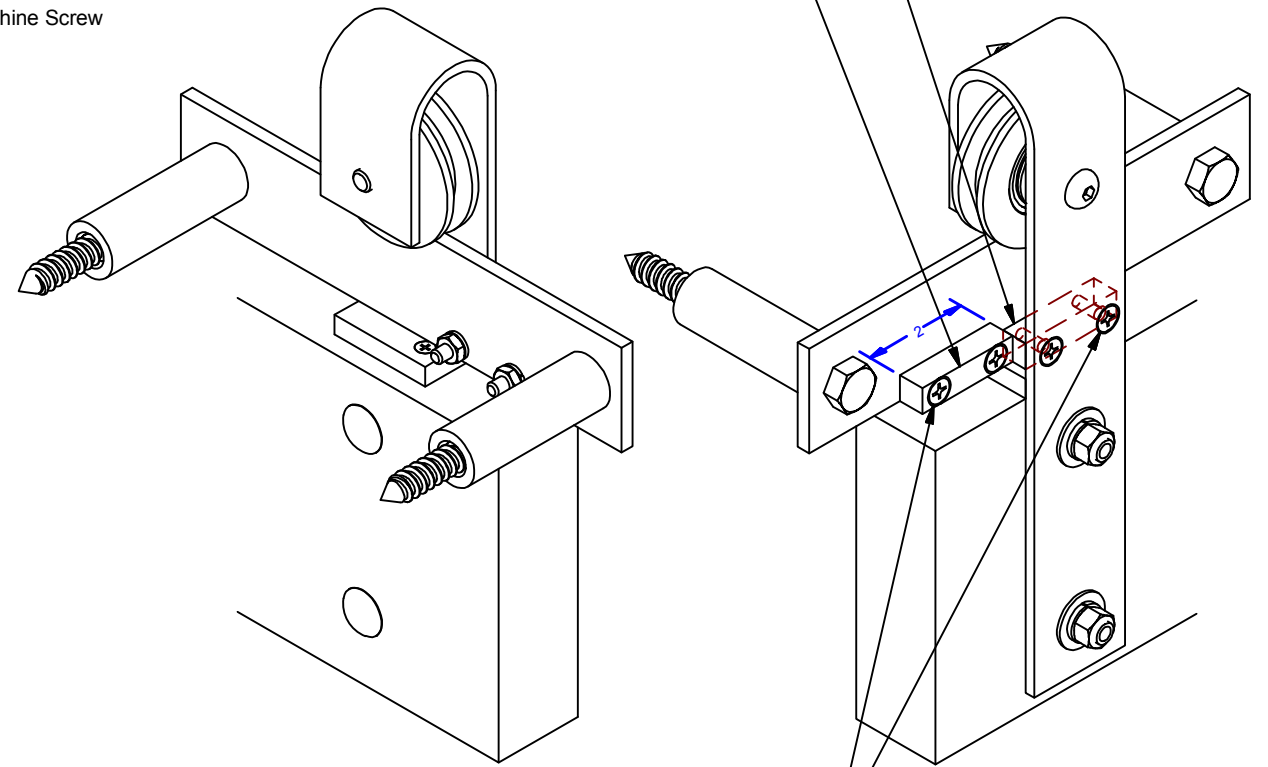
A



0000791 Hanger Track Stop Plate  
(Option to be welded to flat track hanger)

[MOUNTED ON HANGER CLOSEST TO OPENING  
WHEN DOOR IS IN FULL OPEN POSITION]

0000792 Track Mounted Stop Plate for Slidepast  
(Option to be welded to track)  
{Indicate if field or factory located with order}



(4 ea.) 1/4" or #10 Flat Head Machine Screw, Zinc

(1 ea.) Kit per Door.  
Hardware is made to order.

**ALL DIMENSIONS IN INCHES**

THE INFORMATION CONTAINED IN THIS DRAWING IS THE SOLE PROPERTY OF CROWN INDUSTRIAL. ANY REPRODUCTION IN PART OR AS A WHOLE WITHOUT THE WRITTEN PERMISSION OF CROWN INDUSTRIAL IS PROHIBITED.	ID #:	0000790	STOCK PART #:	43SxB11
	MATERIAL:			
DESCRIPTION: Slidepast Flat Track Stop, Screwed				
FINISH: Painted			# PCS:	1
			REV.:	



**CROWN INDUSTRIAL**  
So. San Francisco, Ca  
(650) 952-5150  
www.crown-industrial.com

DWG #: 0000790  
DRAWN:BCM 12/15/2008  
SHEET #1  
File: 0000790.idw

4

3

2

1

