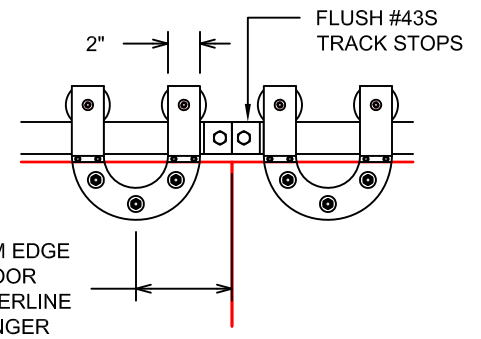
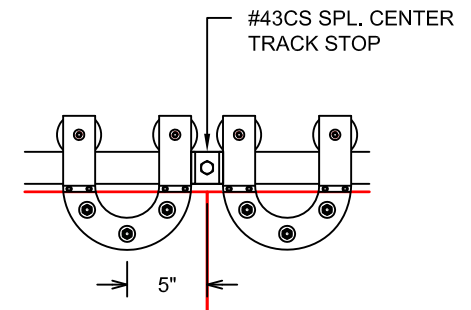


DETAIL A



DETAIL B



DETAIL C

INDICATE:

1. OPENING WIDTH:
2. DOOR WIDTH:
3. DOOR THICKNESS:
4. FROM THE EDGE OF THE DOOR TO THE CENTERLINE OF THE FLAT TRACK HANGER:
5. PROJECTION OF MATERIALS BEYOND WALL BLOCKING: (FOR WALL SPACER LENGTH- SEE SHEET 2)
6. FIELD OR FACTORY DRILL TRACK MOUNTING HOLES:



CROWN INDUSTRIAL

So. San Francisco, Ca
(650) 952-5150

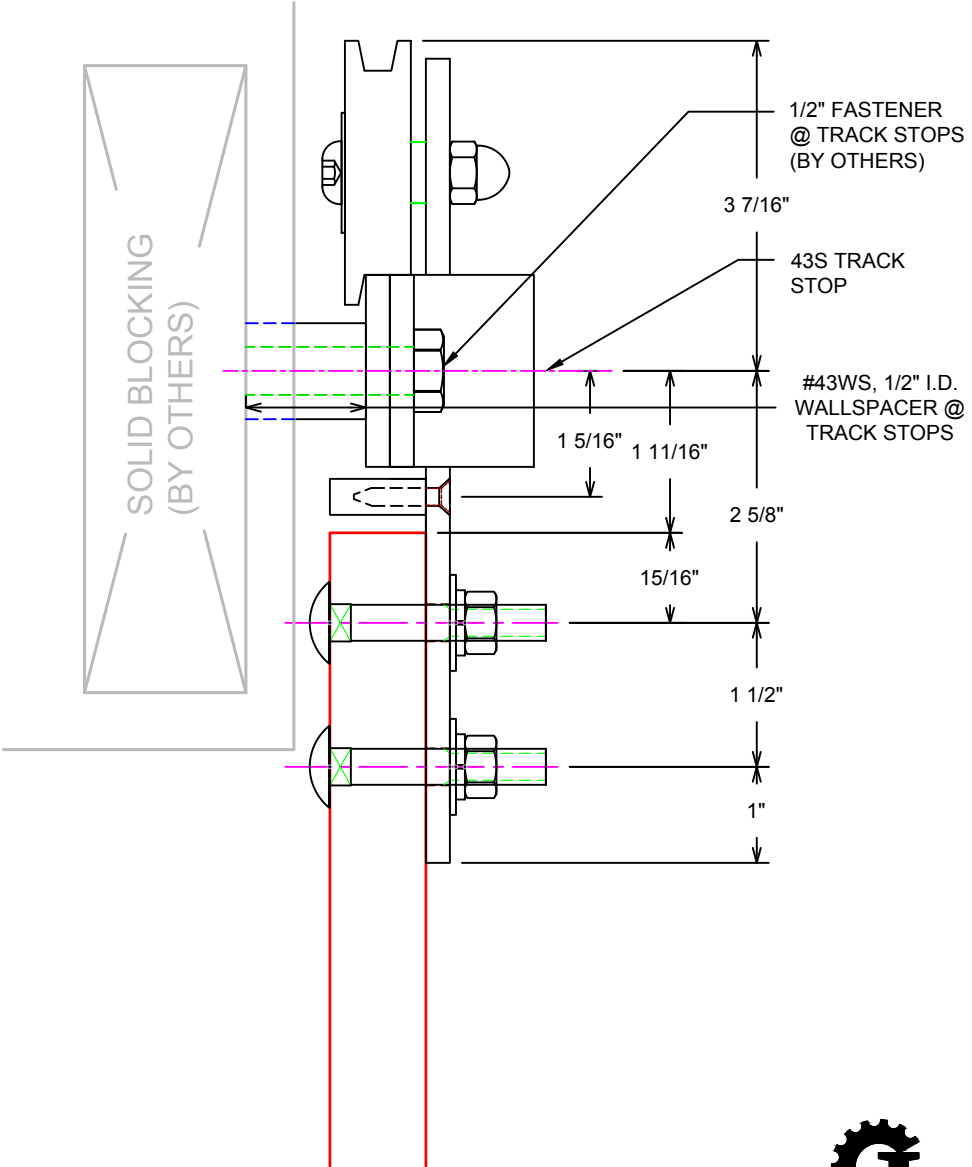
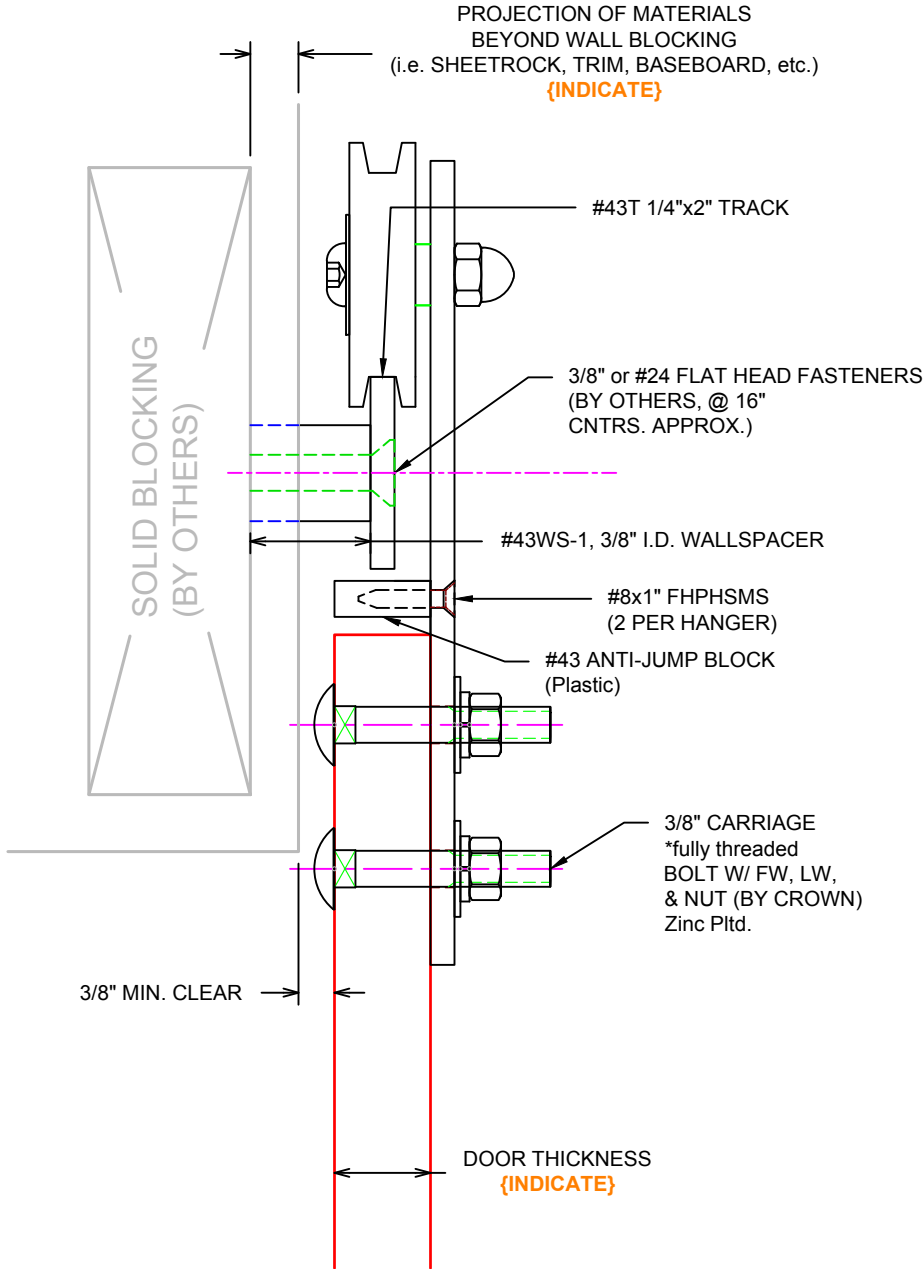
www.crown-industrial.com

43 FLAT TRACK
DESCRIP: Flat Track Elevation - 43U-0 Biparting (500LB CAPACITY)
DRAWN:BCM 10-23-09
SCALE: NONE
SHEET # 1

FILE:z:\engineering\hardware\43flat\flat track template\flat track customer template 10-23-09

THE INFORMATION CONTAINED IN THIS DRAWING IS THE SOLE PROPERTY OF CROWN INDUSTRIAL. ANY REPRODUCTION IN PART OR AS A WHOLE WITHOUT WRITTEN PERMISSION OF CROWN INDUSTRIAL IS PROHIBITED.

REVISIONS			
REV.	DESCRIPTION	DATE	APPROVED



43 FLAT TRACK
 DESCRIP: 43U-0 Flat Track Head Section
 DRAWN:BCM 10-23-09 REV:-----
 SCALE: NONE
 SHEET # 2

FILE:\crown-fs\main\engineering\hardware\43flat\flat track template\flat track customer template 10-23-09

THE INFORMATION CONTAINED IN THIS DRAWING IS THE SOLE PROPERTY OF CROWN INDUSTRIAL. ANY REPRODUCTION IN PART OR AS A WHOLE WITHOUT WRITTEN PERMISSION OF CROWN INDUSTRIAL IS PROHIBITED.



CROWN INDUSTRIAL
 So. San Francisco, Ca
 (650) 952-5150
 www.crown-industrial.com

4

3

2

1

D

D

C

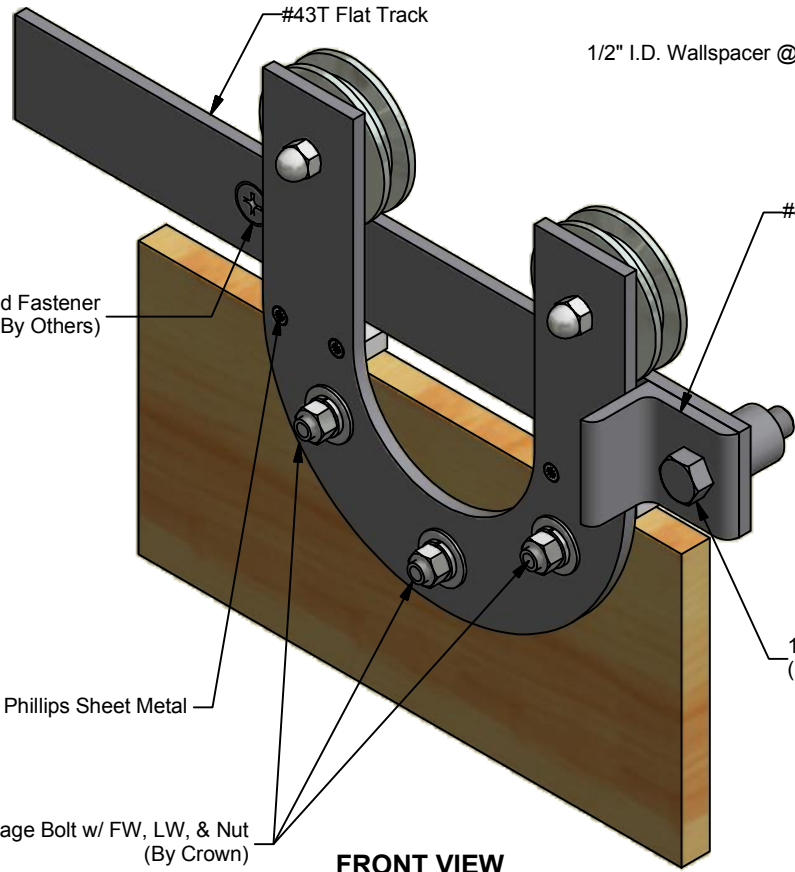
C

B

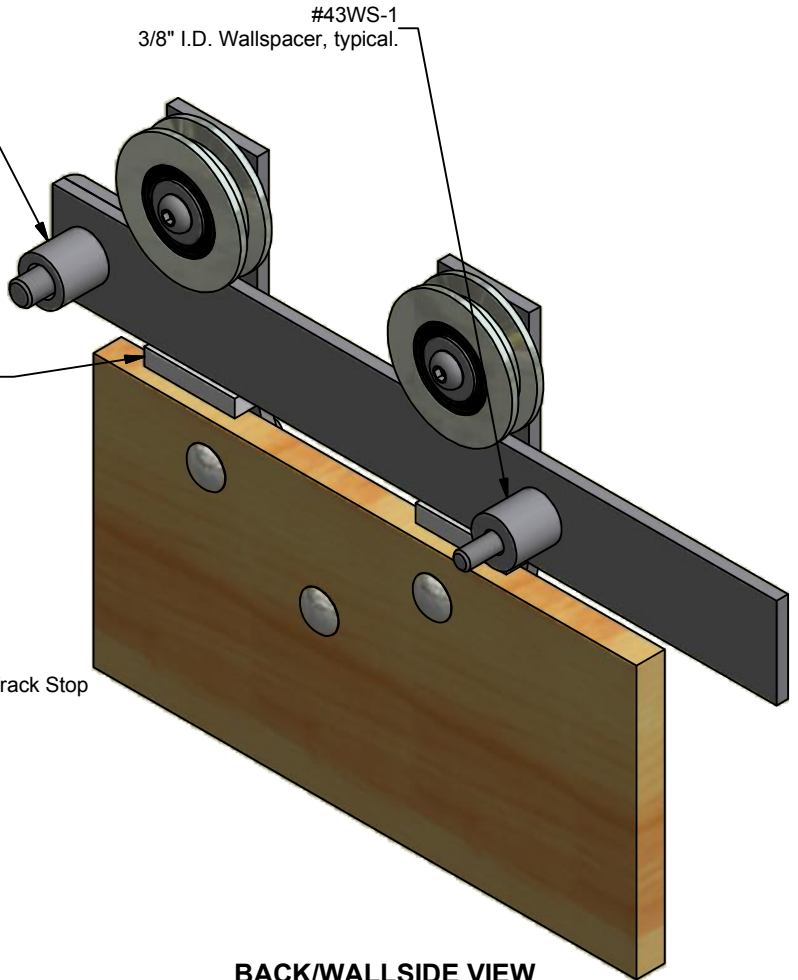
B

A

A



FRONT VIEW



BACK/WALLSIDE VIEW

NOTE: ALL WALLSPACERS MUST COME IN DIRECT CONTACT WITH SOLID BLOCKING

DWG #: 43H
DRAWN:BCM 2/12/2007
SHEET #6
File: 0000316.idw

ALL DIMENSIONS IN INCHES

THE INFORMATION CONTAINED IN THIS DRAWING IS THE SOLE PROPERTY OF CROWN INDUSTRIAL. ANY REPRODUCTION IN PART OR AS A WHOLE WITHOUT THE WRITTEN PERMISSION OF CROWN INDUSTRIAL IS PROHIBITED.	ID #:	STOCK PART #:
	0000087-03	43U0
DESCRIPTION:		
U Flat Track Hanger (1/4" to 1-1/4" Door Thickness)		
FINISH:	# PCS:	REV:
Specify	2	



CROWN INDUSTRIAL
So. San Francisco, Ca
(650) 952-5150
www.crown-industrial.com

4

3

2

1

