

4

3

2

1

D

D

C

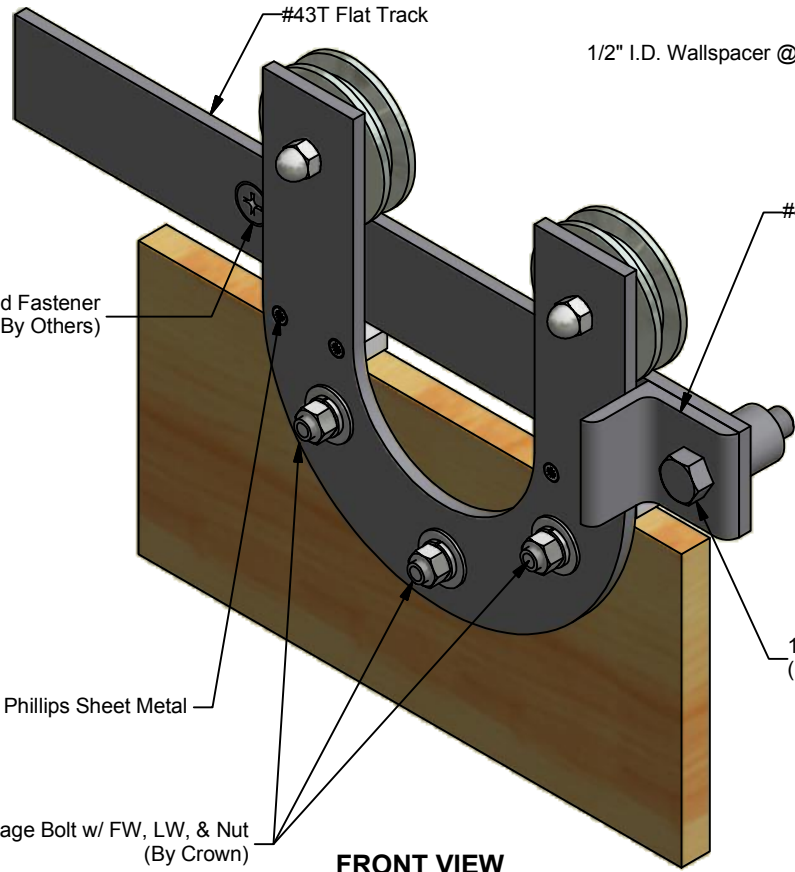
C

B

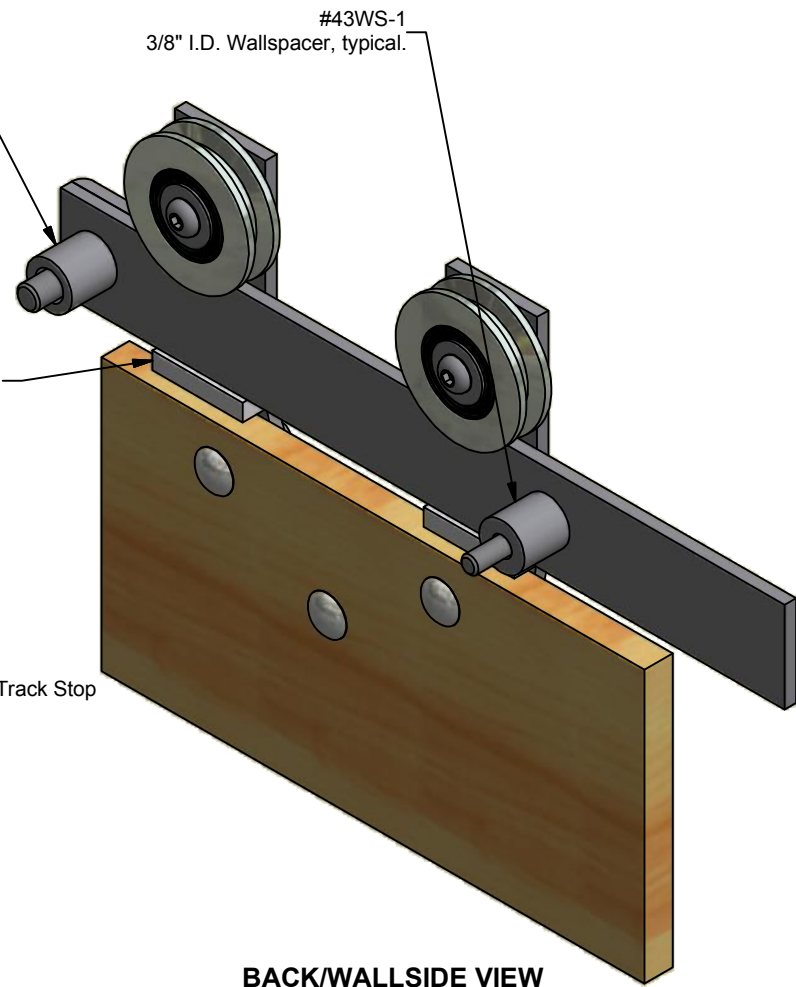
B

A

A



FRONT VIEW



BACK/WALLSIDE VIEW

NOTE: ALL WALLSPACERS MUST COME IN DIRECT CONTACT WITH SOLID BLOCKING

DWG #: 43H
DRAWN:BCM 2/12/2007
SHEET #6
File: 0000316.idw

ALL DIMENSIONS IN INCHES

THE INFORMATION CONTAINED IN THIS DRAWING IS THE SOLE PROPERTY OF CROWN INDUSTRIAL. ANY REPRODUCTION IN PART OR AS A WHOLE WITHOUT THE WRITTEN PERMISSION OF CROWN INDUSTRIAL IS PROHIBITED.	ID #:	0000087-03	STOCK PART #:	43U0
	MATERIAL:			
DESCRIPTION: U Flat Track Hanger (1/4" to 1-1/4" Door Thickness)				
FINISH: Specify	# PCS:	2	REV:	



CROWN INDUSTRIAL
So. San Francisco, Ca
(650) 952-5150
www.crown-industrial.com

4

3

2

1