

4

3

2

1

D

D

C

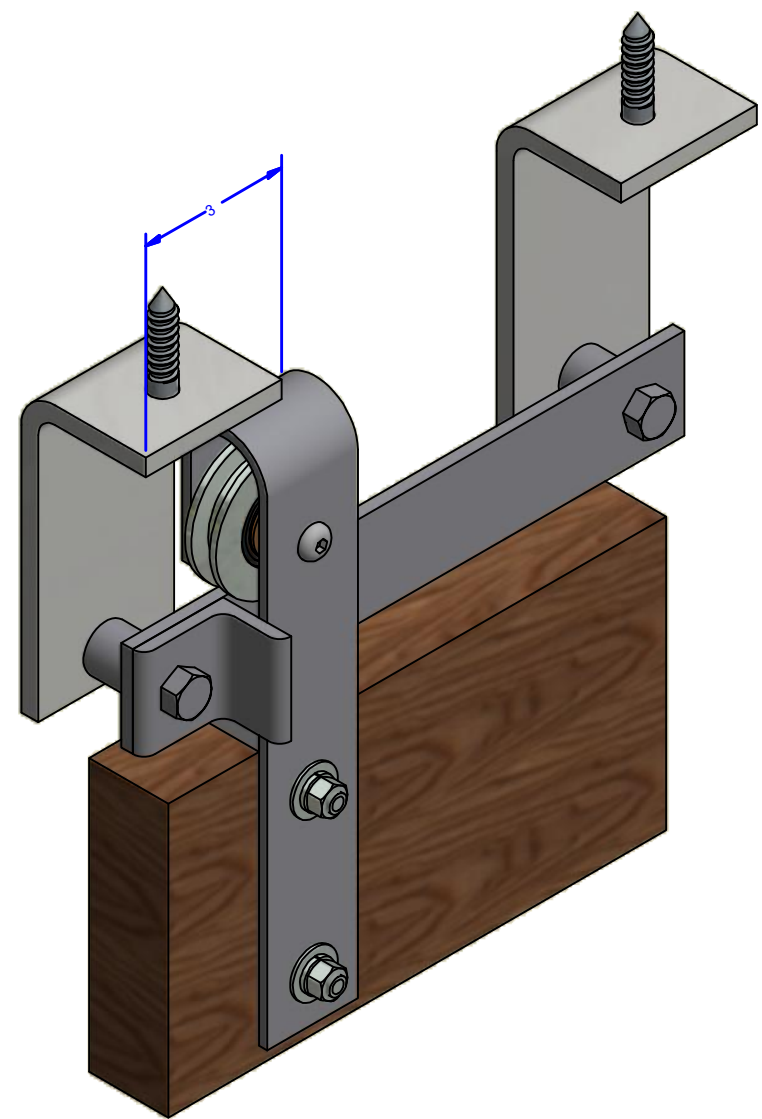
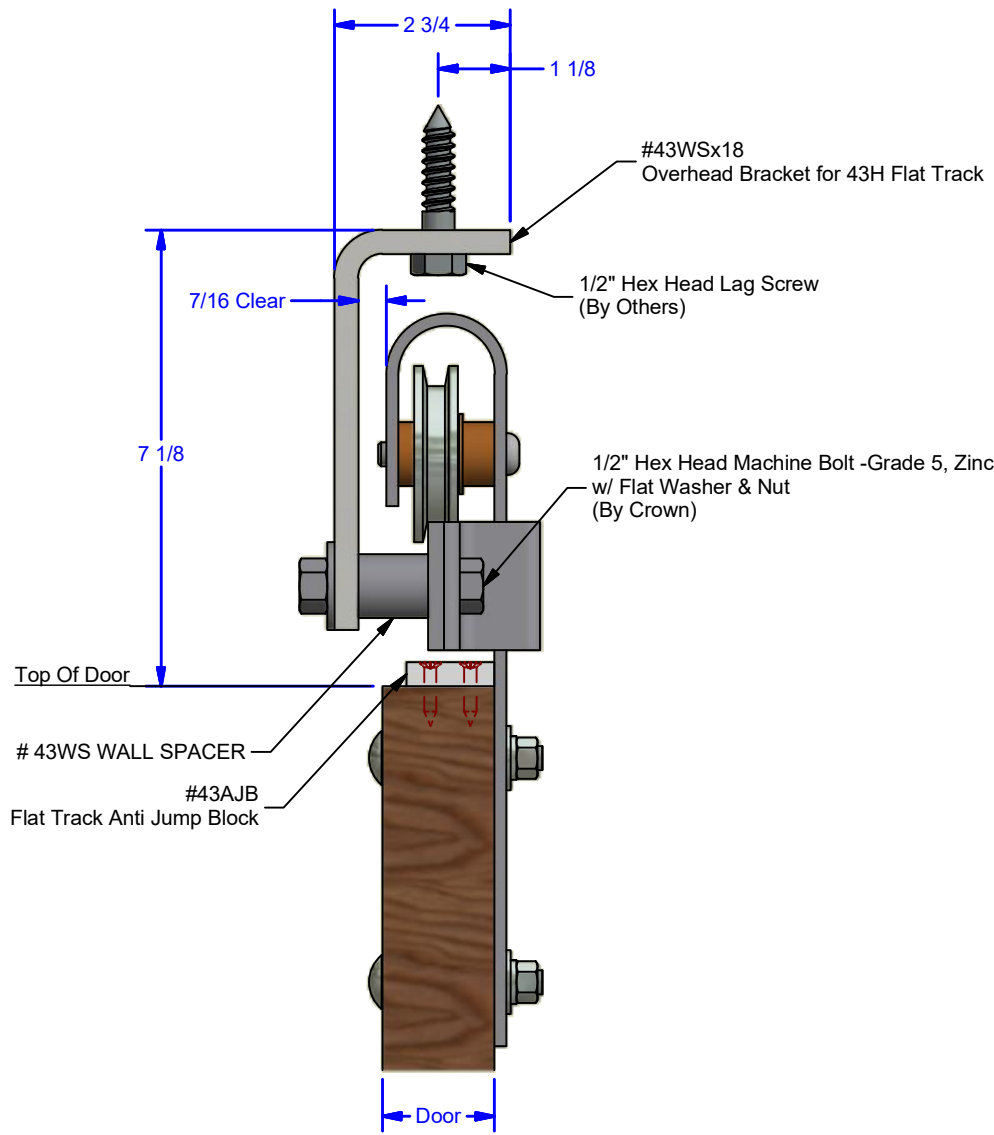
C

B

B

A

A



ALL DIMENSIONS IN INCHES

THE INFORMATION CONTAINED IN THIS DRAWING IS THE SOLE PROPERTY OF CROWN INDUSTRIAL. ANY REPRODUCTION IN PART OR AS A WHOLE WITHOUT THE WRITTEN PERMISSION OF CROWN INDUSTRIAL IS PROHIBITED.	ID #:	0002100	STOCK PART #:	43WSx18
	MATERIAL:			
DESCRIPTION: Overhead Mount Flat Track Application				
FINISH:	Specify	# PCS:	2	REV:



CROWN INDUSTRIAL
 So. San Francisco, Ca
 (650) 952-5150
www.crown-industrial.com

DWG #: 43H
 DRAWN:BCM 12/15/2008
 SHEET #5
 File: 0000316.idw

4

3

2

1

